

KISSLING MICRO SWITCH

Series MZD

Quality Switch

Our MZD KISSLING micro switches have been specifically designed for mission critical applications with extended environmental requirements in a centrally controlled miniature housing.

These high quality micro switches are precise and display both reliable and consistent switching behavior under the harshest conditions and over product lifespans of 10 million cycles. The switch has a load switching range from 0.1A up to 10A (AC). The housings are made of thermoplastic. The MZD Series is available as a sealed or dust proof version with easy assembly through to central mounting.

This series offers high switching security, since in operation the moving contact is activated in a cross traverse with respect to the fixed contact. This movement provides automatic self cleaning of the main contact surface and inhibits welding or sticking. These switches are intended to be used in extreme environmental conditions.

Features

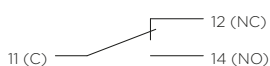
- 1- and 2-pole switches available
- Nominal load up to 10A at 250VAC
- Min. switching current 10mA at 12VDC
- Switching frequency up to 200 cycles/min.
- Variety of available actuator geometries and sizes
- High quality silver alloy or gold plated contacts

Applications

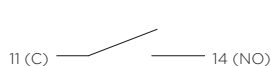
- Automotive equipment
- General mechanical engineering
- Appliance and industrial engineering
- Medical equipment
- Commercial vehicles

Switching function

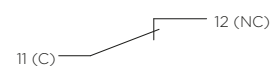
Change-over



NO



NC



KISSLING MICRO SWITCH

Series MZD

Specification

Technical Data

Housing Material	Thermoplast GF
Protection switch insert MZW	IP67 IEC 60529
Protection switch insert MZX	IP40 IEC 60529

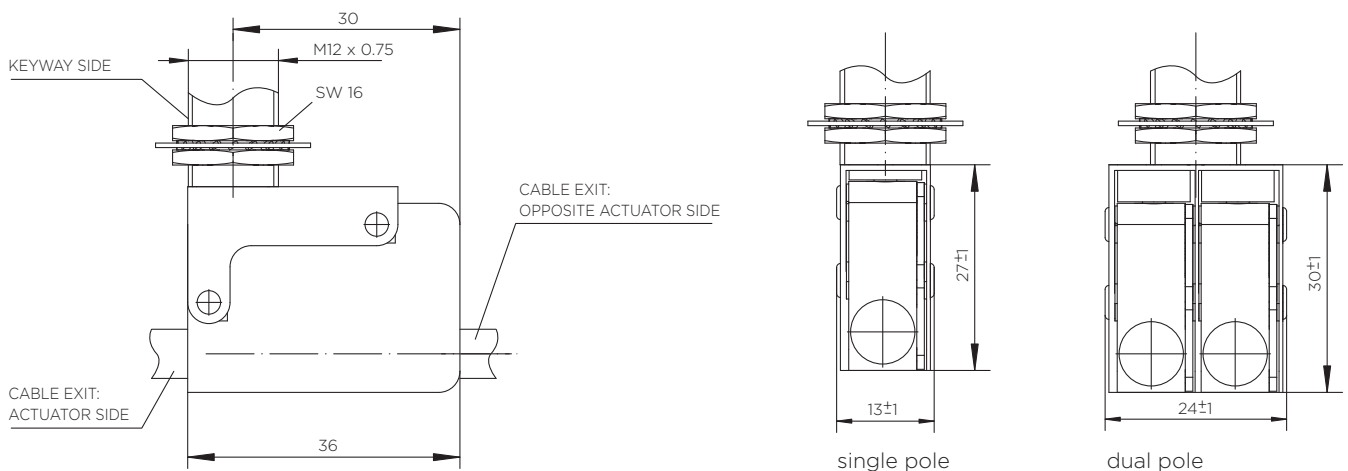
Mechanical Data

Pre-travel	0.5mm - 1.1mm
Overtravel	> 2mm
Movement differential	0.05mm - 0.3mm
Operating force	Switch insert MZW: 2N - 6N switch insert MZX: 1.5 - 4N
Release force	Switch insert MZW: > 1N dust proof MZX: > 1N
Max operating force	< 20N
Current carrying parts	CuZn-alloy
Contact material	Silver alloy or gold plated contacts
Mechanical life	10 Mio.
Frequency	200/min
Temperature range switch insert MZW	-40°C to +70°C (cable dependent)
Temperature range switch insert MZX	-40°C to +85°C

Electrical data

Nominal voltage	250VAC, 24VDC
Continuous current	10.1A
Min. switching capacity	12VDC, 10mA

Technical drawings

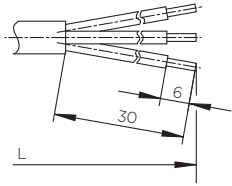


KISSLING MICRO SWITCH

Series MZD

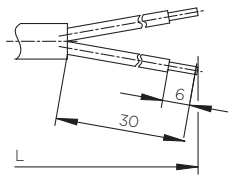
Cable configuration

Change over



PVC-Cable LiYY 3 x 0.75mm²

NO / NC

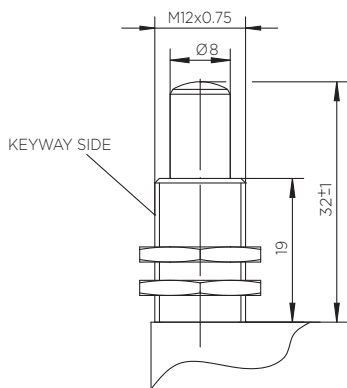


PVC-Cable H05VV-F 2 x 1.5mm²

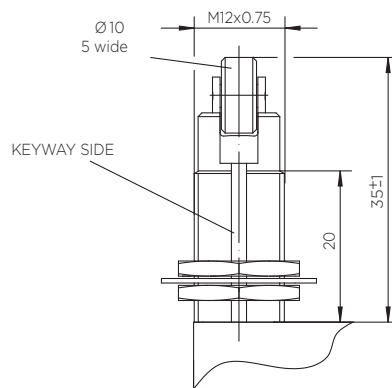
Note: Continuous current and temperature capabilities of the switch are influenced and restricted respectively by cable style and conductor cross section.

Actuators

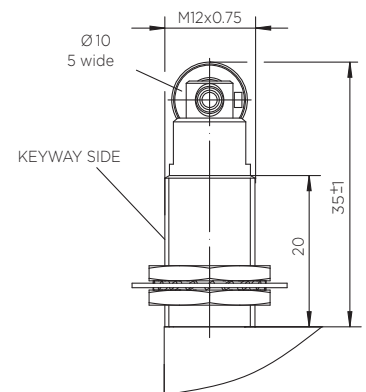
1 Pushbutton with crest



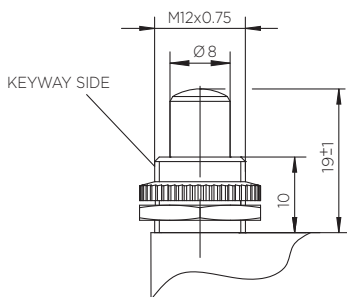
3 Pushbutton with role lengthwise



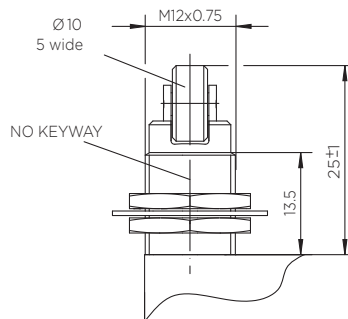
4 Pushbutton with role crosswise



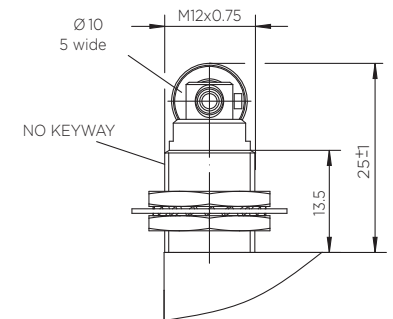
2 Pushbutton with crest



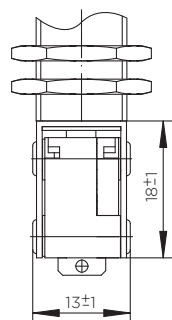
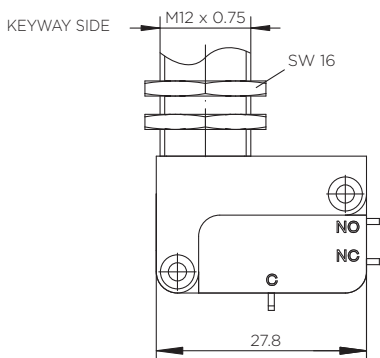
5 Pushbutton with role lengthwise



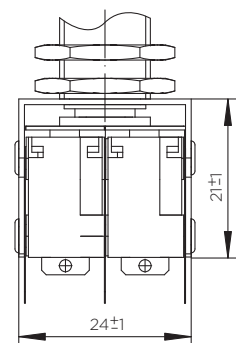
6 Pushbutton with role crosswise



Technical drawings



single pole



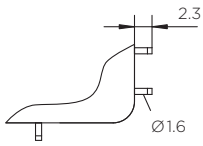
two pole

KISSLING MICRO SWITCH

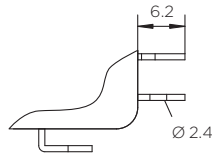
Series MZD

Connection types

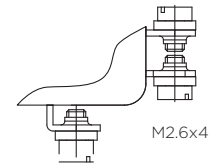
Solder Connection



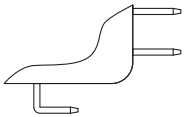
Solder Connection



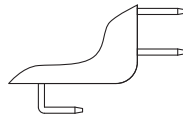
Screw terminals M2.6



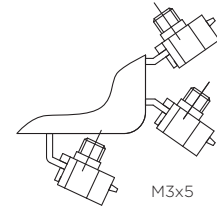
Faston terminals 2.8 x 0.8



Faston terminals 6.3 x 0.8



Screw terminals M3



Ordering Information

Part Number
example MZD: MZD2.431.050
MZD _ . _ _ _ . _ _ _

Poles

1	Single pole
2	Two pole

Configuration

0	Dust proof
3	Exit actuator side
4	Exit opposite actuator side

Actuator

_	Select on page 3
---	------------------

Connection types MZD

02	Solder Connection 2.3
04	Solder Connection 6.2
05	Screw terminals M 2.6
06	FASTON terminals 2.8 x 0,8
08	FASTON terminals 6.3 x 0.8
09	Screw terminals M3

Cable length / switch

---	Waterproof, cable length in 50 cm steps
3	Switch dust proof

Switching function

1	Change-over
2	NO
3	NC

te.com

TE Connectivity, TE, TE connectivity (logo), FASTON and KISSLING (word) are trademarks owned or licensed by the TE Connectivity family of companies. All other logos, products and/or company names referred to herein might be trademarks of their respective owners.

The information given herein, including drawings, illustrations and schematics which are intended for illustration purposes only, is believed to be reliable. However, TE Connectivity makes no warranties as to its accuracy or completeness and disclaims any liability in connection with its use. TE Connectivity's obligations shall only be as set forth in TE Connectivity's Standard Terms and Conditions of Sale for this product and in no case will TE Connectivity be liable for any incidental, indirect or consequential damages arising out of the sale, resale, use or misuse of the product. Users of TE Connectivity products should make their own evaluation to determine the suitability of each such product for the specific application.

© 2020 TE Connectivity | All Rights Reserved.

K1166740 | Version 08/2020