



Low Profile Micro MATE-N-LOK Connector System

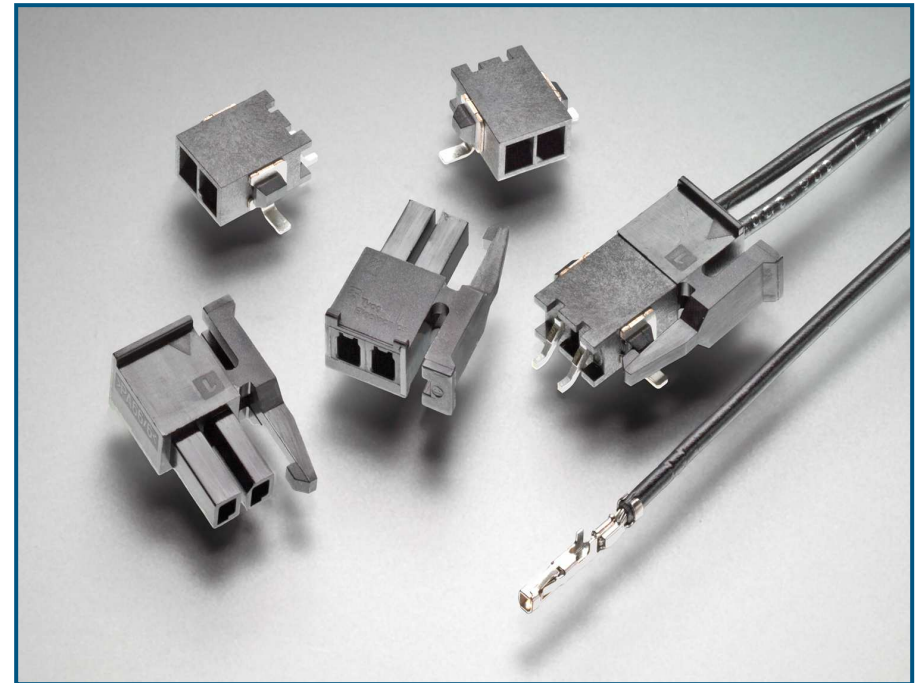
© 2009 Tyco Electronics Corporation. All Rights Reserved.
MATE-N-LOK, TE logo and Tyco Electronics are trademarks.
Other products, logos, and company names herein may be trademarks of their respective owners.

Low Profile Micro MATE-N-LOK Connector System

Product Description

Product Description

- Wire-to-board connector system
- High density 3mm centerline
- Side latch housings
- Right angle surface mount headers
- 2, 3, or 4 circuit positions
- Rated for 5A and 250 VA
- Black and natural colors available
- 24-20 and 30-26 AWG wire range

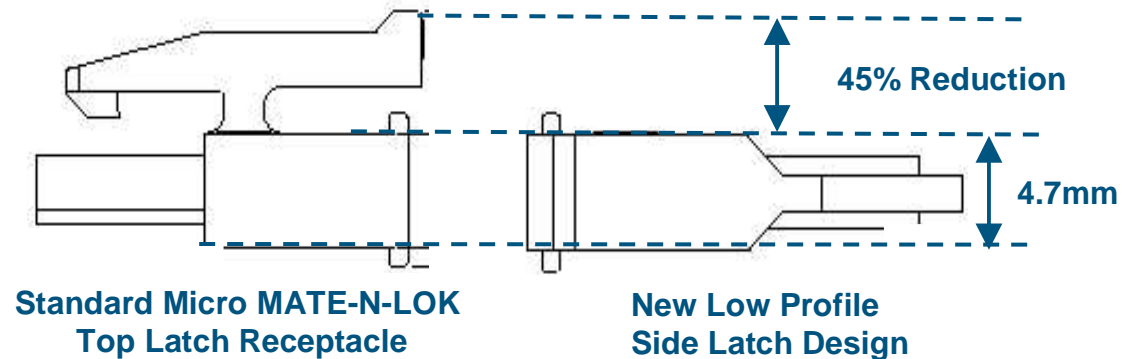


Low Profile Micro MATE-N-LOK Connector System

Features and Benefits

Features

- New Side Latch Feature allows for an ultra-low profile (less than 4.7mm).



- Positive latching housings help prevent connector unmating
- Polarized housings help prevent connector mismating
- Surface mount hold-downs provide robust header support
- Utilizes standard Micro MATE-N-LOK contacts

Low Profile Micro MATE-N-LOK Connector System

Applications

Applications

- Designed specifically for LED lighting Applications
- Consumer lighting
 - Shelf / cabinet lighting
 - Under-counter illumination
 - Cove lighting
- Commercial lighting
 - Signage
 - Freezer / refrigerator
 - Display case

Low Profile Micro MATE-N-LOK Connector System

Sales Support

- Product flyer 8-1773450-8
- Press release
- Soft shell catalog 82181
- Sample room stock available

Low Profile Micro MATE-N-LOK Connector System

Key Contacts

- Karen Seubert, Product Manager
 - + (1) 717-986-5996
 - kseubert@tycoelectronics.com

- Technical Support
 - 800-522-6752
 - tycoelectronics.com