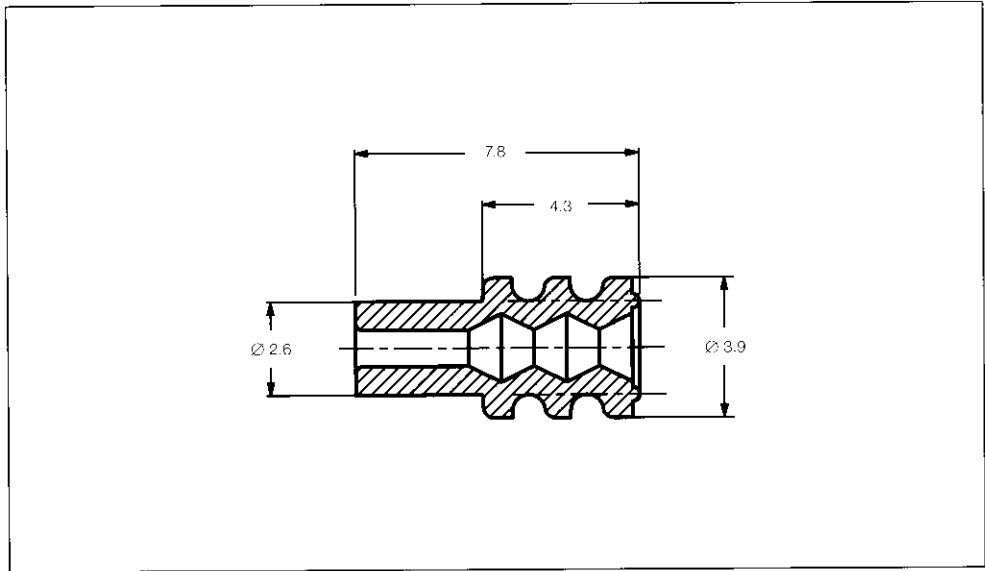


Single Wire Seals and Dead End Plugs

**Single Wire Seals
and Dead End Plugs
for Micro Timer II
and Micro Timer III**



Wire Size Range (mm ²)	Insulation Diameter (mm)	Color	Part Number	Packaging Unit
0.35-0.50	1.2-1.6	Red	964971-1	10,000
0.5	1.4-1.6	Blue	1394133-1	10,000
0.50-0.75	1.4-1.9	Grey	963530-1	10,000
1.0	1.9-2.1	Yellow	964972-1	10,000
	Dead End Plug	White	963531-1	10,000

