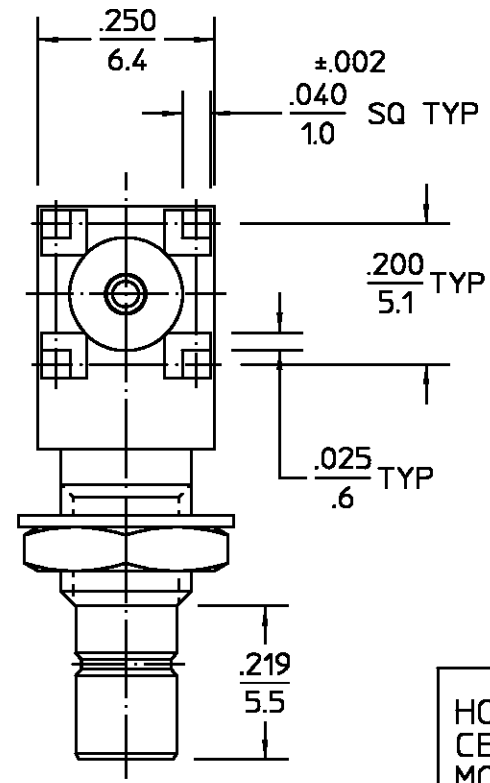
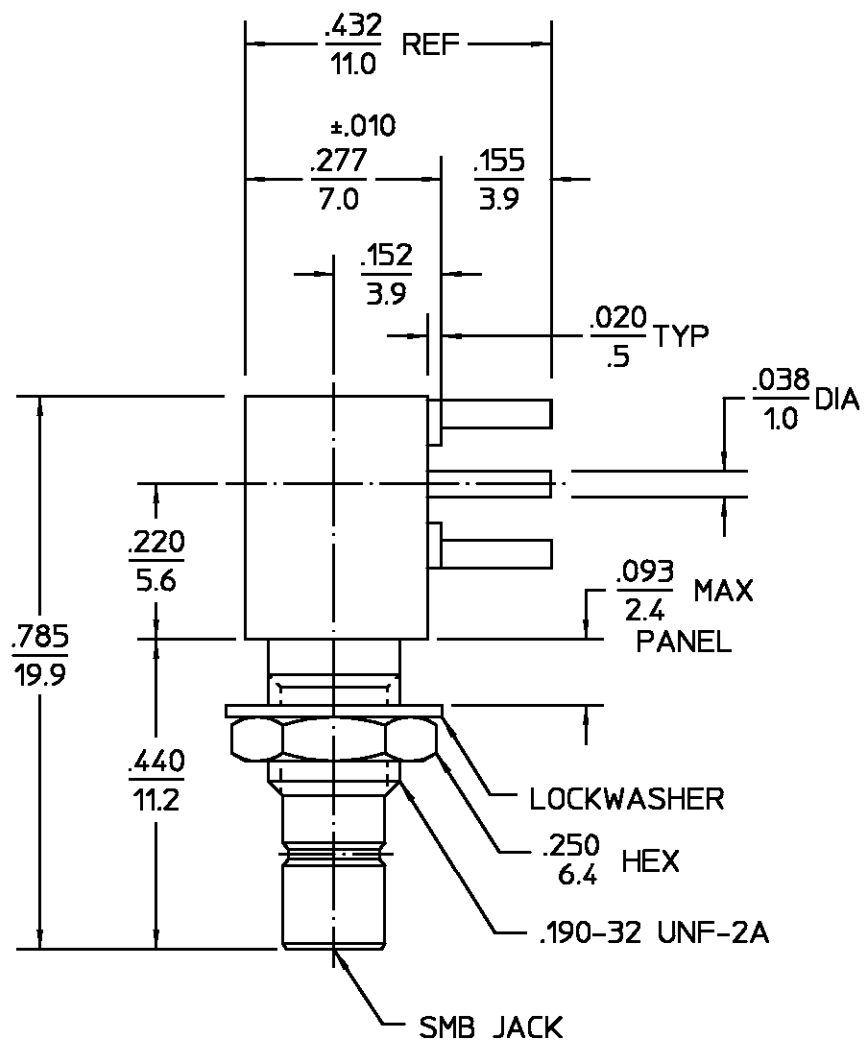


REVISIONS			
REV	DESCRIPTION	DATE	APPROVED
040	REVISED	3/22/94	BB
B	PER EC 0U20-0116-01-02	10/29/01	C. Hoang



COMPONENT	MATERIAL	FINISH
HOUSING, CAP, CENTER CONTACT & MOUNTING NUT	BRASS PER ASTM-B-16, HALF HARD	GOLD PLATE PER MIL-G-45204
DIELECTRIC	TFE FLUOROCARBON PER ASTM-D-1457	N/A
LOCKWASHER	PHOSPHOR BRONZE PER QQ-B-750, GRADE B2	GOLD PLATE PER MIL-G-45204

.XXX = in  
XX.X = mm

NOTES:  
1. CAPTURED CENTER CONTACT

UNLESS OTHERWISE SPECIFIED DIMENSIONS ARE IN INCHES TOLERANCE ON FRAC. DEC. ANGLES ± 1/64 ±.005 ± °	DRAWN BY A.KULLA	DATE 6-14-85	AMP Incorporated 140 Fourth Avenue Waltham, MA 02451-7599	
	CHECKED BY J.JONES	6-24-85		
These drawings and specifications are the property of Omni Spectra Incorporated and shall not be reproduced or copied or used in whole or in part as the basis for the manufacture or sale of item(s) without written permission.	APPD BY EC 6-25-85		<b>AMP</b> TITLE SMB RIGHT ANGLE PRINTED CIRCUIT BOARD JACK RECEPTACLE STRAIGHT TERMINAL	
	USE ASS'Y PROCEDURE	NO. AP. N/A		SIZE B CODE IDENT NO. 26805 5164-5011-09 REV 040
	SCALE 4:1			SHEET 1 OF 1

CUSTOMER DRAWING

AMP PART # 1060469-1  
SHEET 1 OF 1 REV B