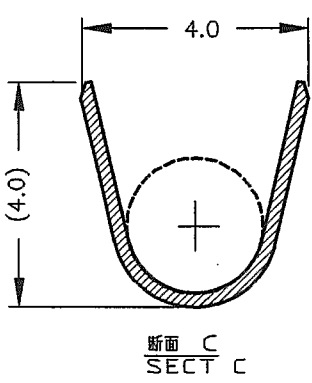
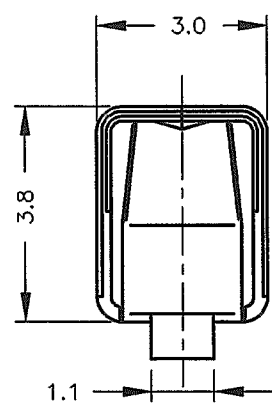
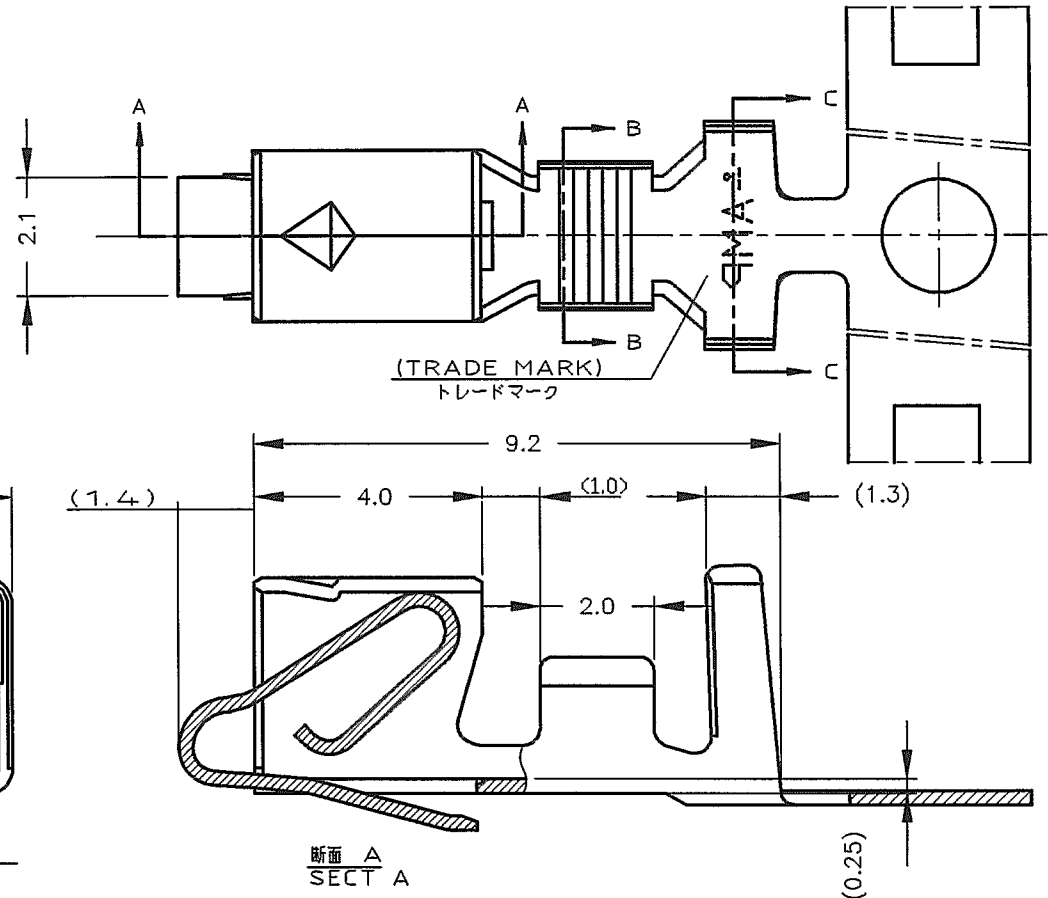


LOC	DIST	REVISIONS						
J	//	P	LTR	DESCRIPTION	ECN	DATE	DWN	APVD
		0		作成 (RELEASED)	FJ00-1181-98	24 JUN '98	N.Y	M.S
		A		変更 (REVISED)	FJ00-1837-98	15 OCT '98	N.Y	M.S
		B		変更 (REVISED)	FJ00-1371-99	15 NOV '99	N.Y	M.S
		C		変更 (REVISED)	FJ00-1400-00	26 SEP '00	N.Y	M.S
		D		変更 (REVISED)	FJ00-0737-01	10 APR '01	T.S	S.M
		D1		変更 (REVISED)	FJD0-0110-03	19.APR.03	T.S	S.M



#	PRE TIN BRASS 無鉛黄銅	1123721-2
1318912-1	PRE TIN PHOS BRO 無鉛黄銅 リン青銅	1123721-1
パラ端子型番	材料	型番
(LOOSE PIECE CONT P/N)(MATERIAL) (Part Number)		

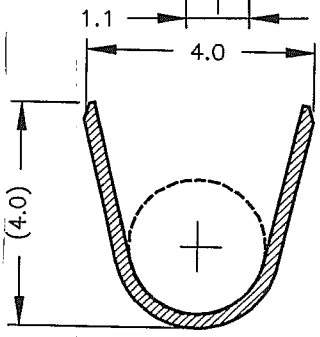
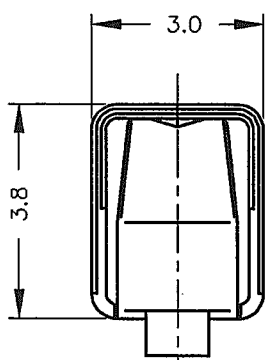
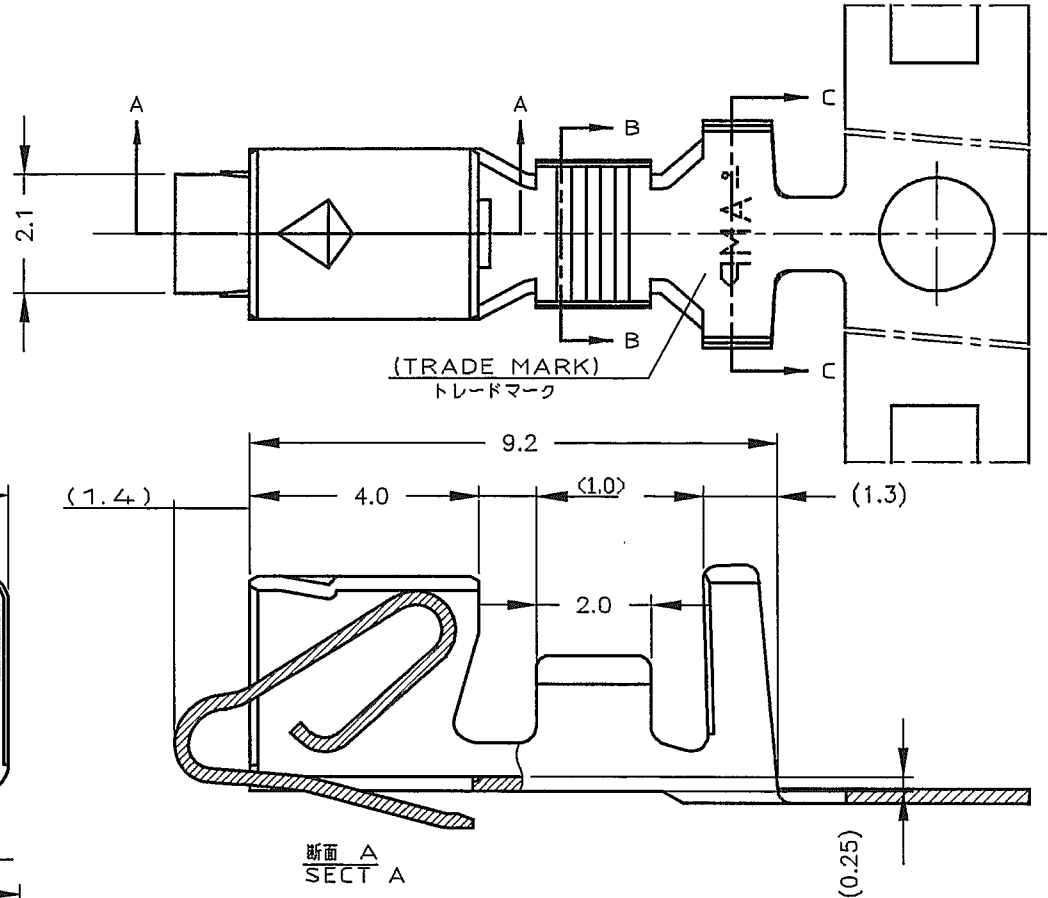
WIRE RANGE 結合電線断面積	0.3~0.89mm ² (AWG#22~18)	INSULATION DIA 被覆外径	φ1.7~3.0mm
-----------------------	-------------------------------------	------------------------	------------

THIS DRAWING IS UNPUBLISHED. ALL RIGHTS RESERVED. BY AMP INCORPORATED. JBLICATION RELEASED FOR ED. COPYRIGHT 19

DIMENSIONS: 単位: 英 mm	DWN	24 JUN '98	N.YAMASAKI	MATERIAL	表参照 (SEE LABEL)	FINISH	//
	CHK	24 JUN '98	M.SHINDO	tyco Tyco Electronics AMP K.K. Kawasaki, Japan			
TOLERANCES UNLESS OTHERWISE SPECIFIED: 一般公差	APVD	24 JUN '98	M.SHINDO				
5 <= : ±0.3 > 5 : ±0.4	PRODUCT SPEC	108-5609		NAME	ECONOMY POWER(EP) CONN. REC CONT		
	APPLICATION SPEC	114-5253		名称	エコノミーパワー(EP) コネクタ リセコンタクト		
	WEIGHT	//		SIZE	CAGE CODE	DRAWING NO	RESTRICTED TO
				A4	00779	C=1123721	
CUSTOMER DRAWING				SCALE	//	SHEET	1 OF 2 REV D1

LOC J	DIST -	REVISIONS			
P	LTR	DESCRIPTION	DATE	DWN	APVD
		SEE SHEET 1			

-3:本図
-3:AS SHOWN



断面 A
SECT A

断面 C
SECT C

断面 B
SECT B

注記
△

1123721-3と 1318912-3に適用する

NOTE
△

APPLY A RULE TO 1123721-3 AND 1318912-3

1473063-1, 1473063-2 1473393-1, 1473393-2	1318912-3	PHOS-PHO BRONS (Au PL. CONT.) リン青銅(コンタクト部金メッキ)	1123721-3
適合ハウジング キット SUITED HOUSING KIT	バラ端子型番 LOOSE PIECE CONT. P/N	材料 MATERIAL	型番 PART NUMBER

WIRE RANGE
絶縁電線断面積
0.53-1.37mm² (AWG#20-16) △

INSULATION DIA
被覆外径
φ1.8-2.8mm △

DIMENSIONS:
mm

TOLERANCES UNLESS OTHERWISE SPECIFIED:

0 PLC	±
1 PLC	±
2 PLC	±
3 PLC	±
4 PLC	±
ANGLES	±

DWN	-
CHK	-
APVD	-
PRODUCT SPEC	108-5743 △
APPLICATION SPEC	114-5303 △
WEIGHT	-

MATERIAL SEE TABLE

FINISH -

tyco Tyco Electronics AMP K.K.
Electronics Kawasaki, Japan

NAME ECONOMY POWER(EP) CONN. REC. CONT.
エコノミーパワー(EP) コネクタ リセコンタクト

SIZE	CAGE CODE	DRAWING NO	RESTRICTED TO
A4	00779	C=1123721	-

CUSTOMER DRAWING SCALE - SHEET 2 OF 2 REV D1

2003 RELEASED FOR PUBLICATION

THIS DRAWING IS UNPUBLISHED.

© COPYRIGHT 2003 BY TYCO ELECTRONICS CORPORATION. ALL RIGHTS RESERVED.