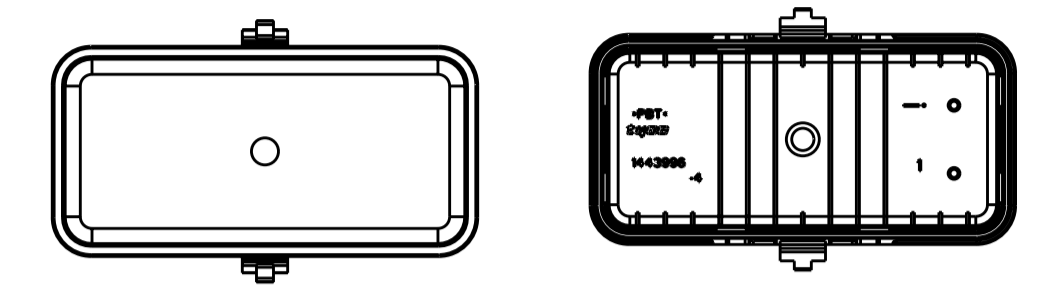
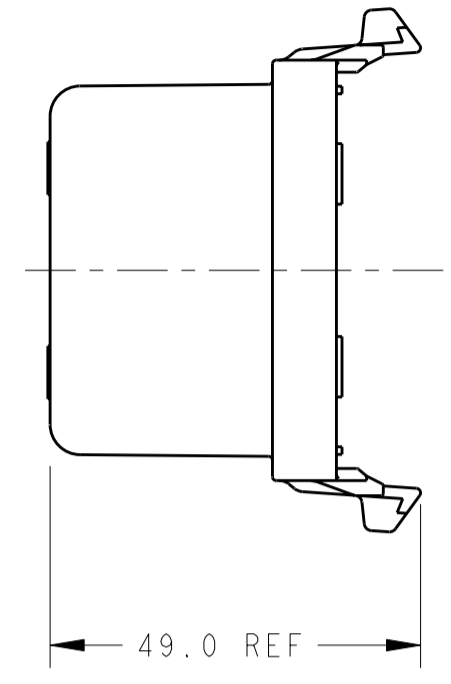
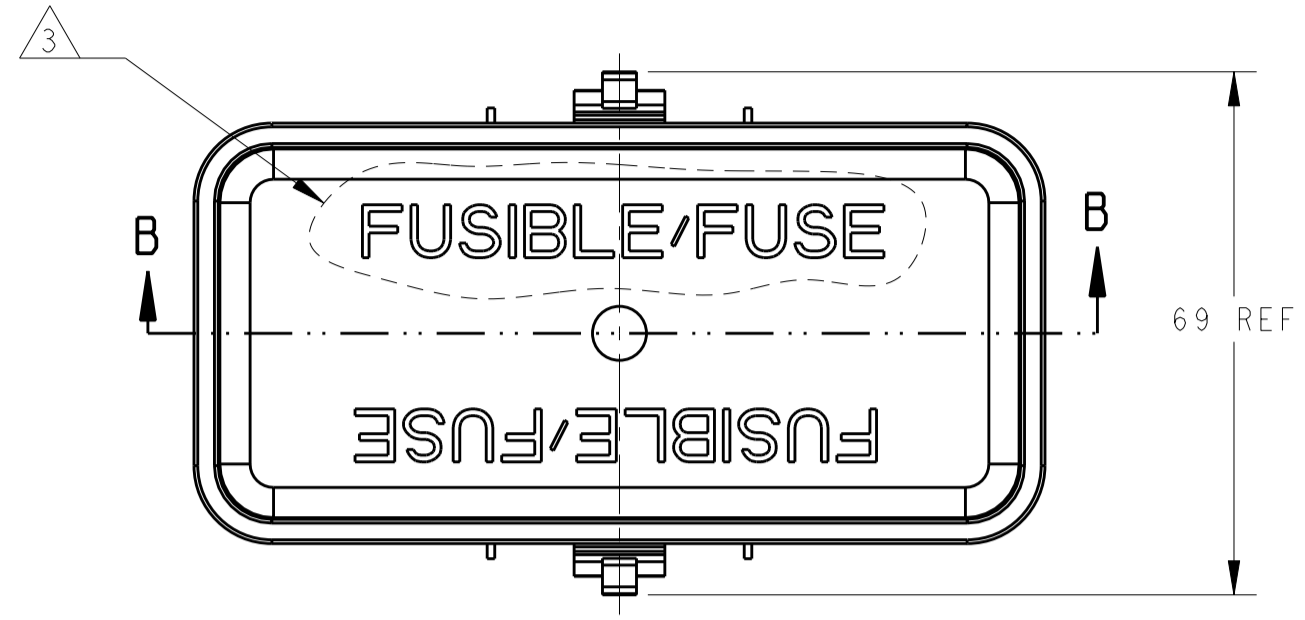


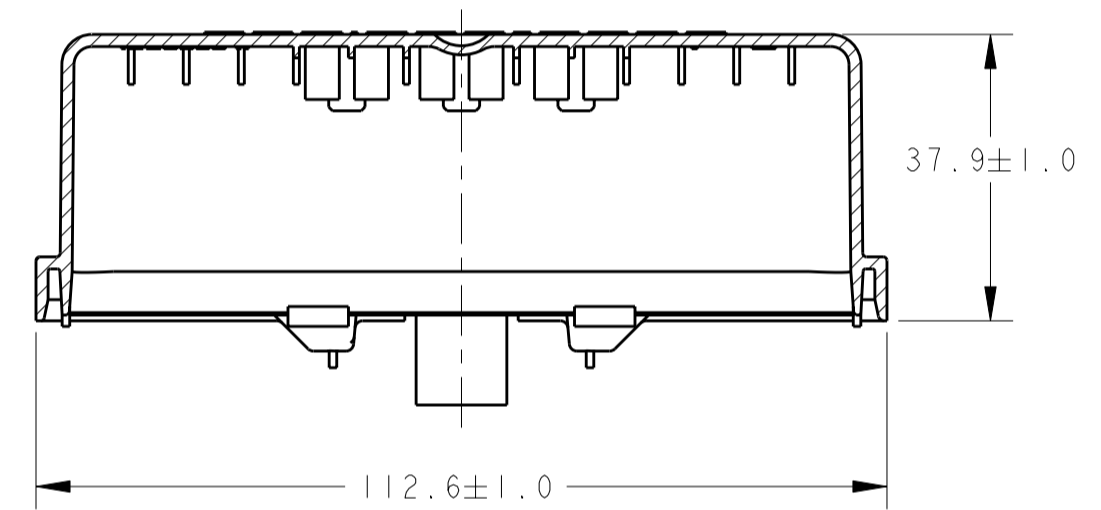
THIS DRAWING IS UNPUBLISHED. RELEASED FOR PUBLICATION 20
 © COPYRIGHT 20 BY TYCO ELECTRONICS CORPORATION. ALL RIGHTS RESERVED.

LOC	DIST	REVISIONS			
P	LTR	DESCRIPTION	DATE	DWN	APVD
HK	00	A1	ECR-06-018935	10AUG2006	AG JS

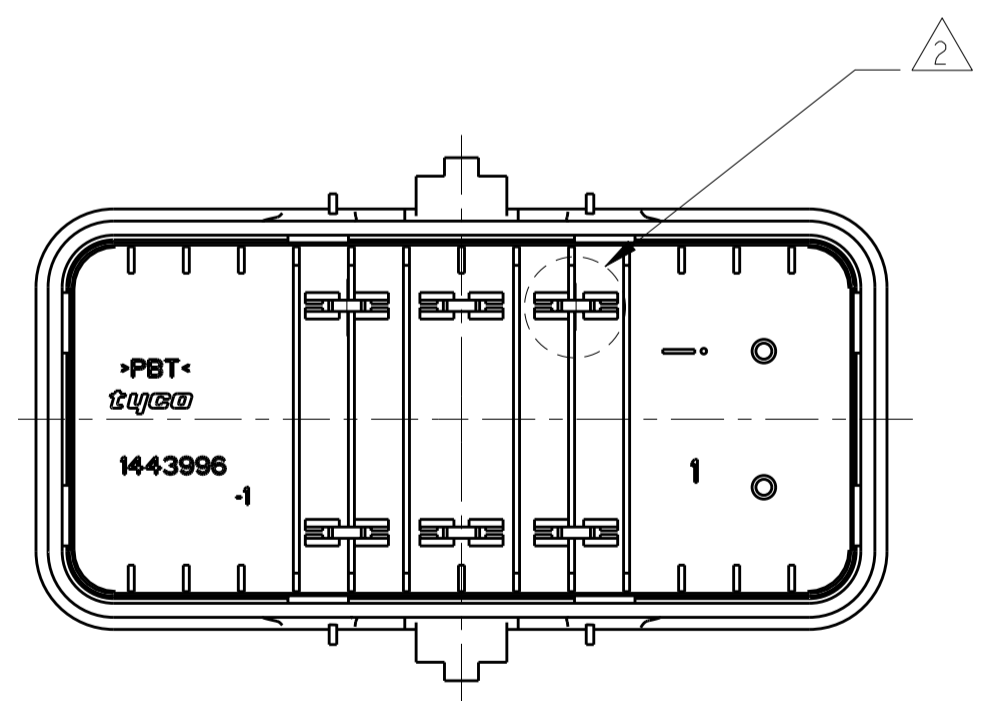


SCALE 1:2
NO TOPSIDE GRAPHICS
1443996-3 AND 1443996-4

SCALE 1:2
W/O FUSE HOLDER
1443996-2 AND 1443996-4



SECTION B-B



SCALE 1:1
1443996-1 SHOWN

- ① MATERIAL- PBT, BLACK
- ② SPARE MINI FUSE HOLDERS, 1443996-1 AND 1443996-3 ONLY.
- ③ TOPSIDE RAISED TEXT: "FUSIBLE/FUSE", 1443996-1 AND 1443996-2 ONLY.

REVISION	DESCRIPTION	PART NUMBER
A	COVER, 60 POS, W/O FUSE HOLDER, NO TOPSIDE GRAPHICS.	1443996-4
A	COVER, 60 POS, NO TOPSIDE GRAPHICS	1443996-3 ②
A	COVER, 60 POS, W/O FUSE HOLDER	1443996-2 ③
A	COVER, 60 POSITION	1443996-1 ② ③

<small>THIS DRAWING IS A CONTROLLED DOCUMENT FOR TYCO ELECTRONICS CORPORATION. IT IS SUBJECT TO CHANGE AND THE CONTROLLING ENGINEERING ORGANIZATION SHOULD BE CONTACTED FOR THE LATEST REVISION.</small>		DWN K_BOYD 17MAY2005 CHK K_BOYD 17MAY2005 APVD R_MCCRAW 17MAY2005	tyco Electronics Tyco Electronics Harrisburg, PA 17105-3608
DIMENSIONS: mm 	TOLERANCES UNLESS OTHERWISE SPECIFIED: 0 PLC ±1 1 PLC ±0.25 2 PLC ±0.15 3 PLC ± 4 PLC ± ANGLES ± FINISH	PRODUCT SPEC APPLICATION SPEC WEIGHT	NAME COVER, 60 POSN SIZE A2 CAGE CODE 00779 DRAWING NO. 1443996 RESTRICTED TO
MATERIAL ①		CUSTOMER DRAWING	SCALE SHEET OF REV A1