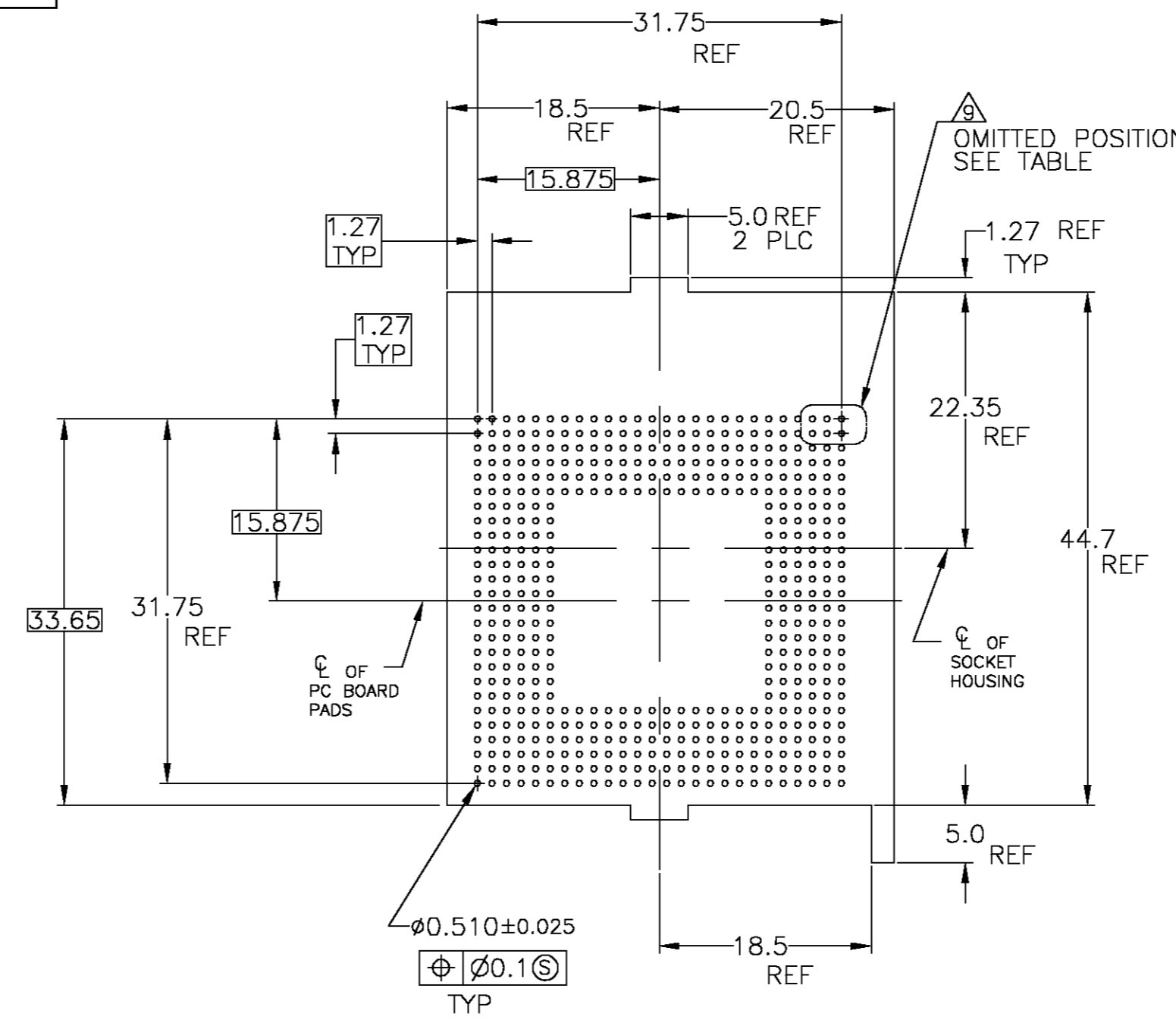
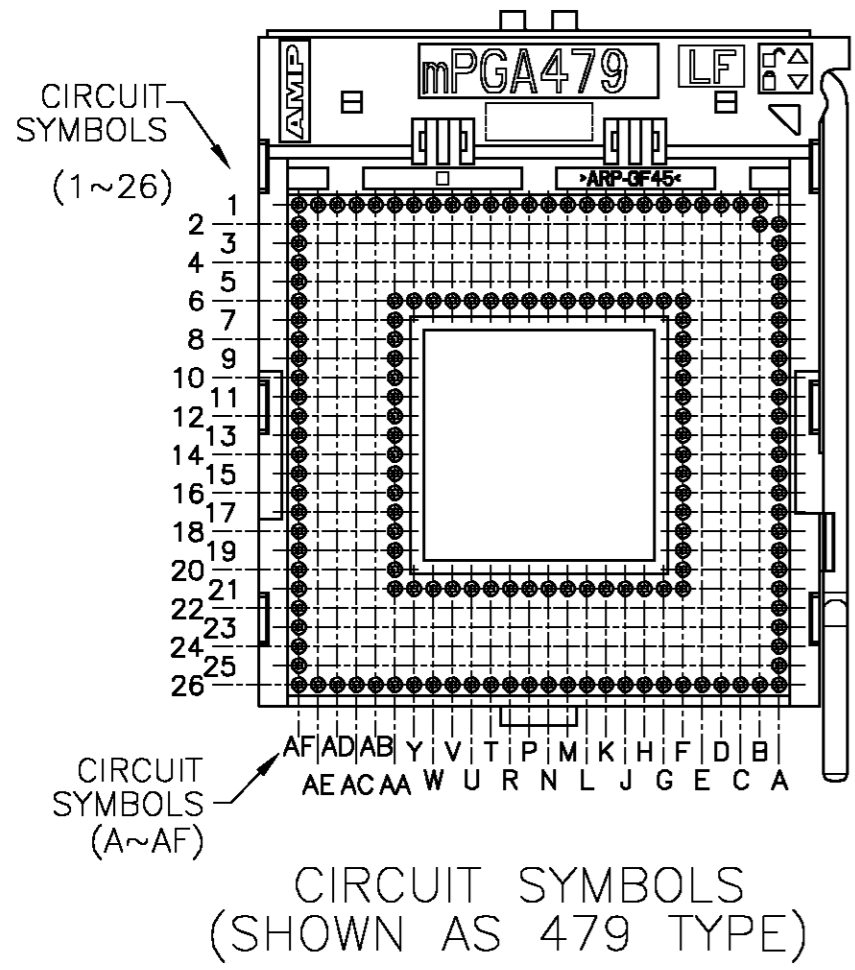
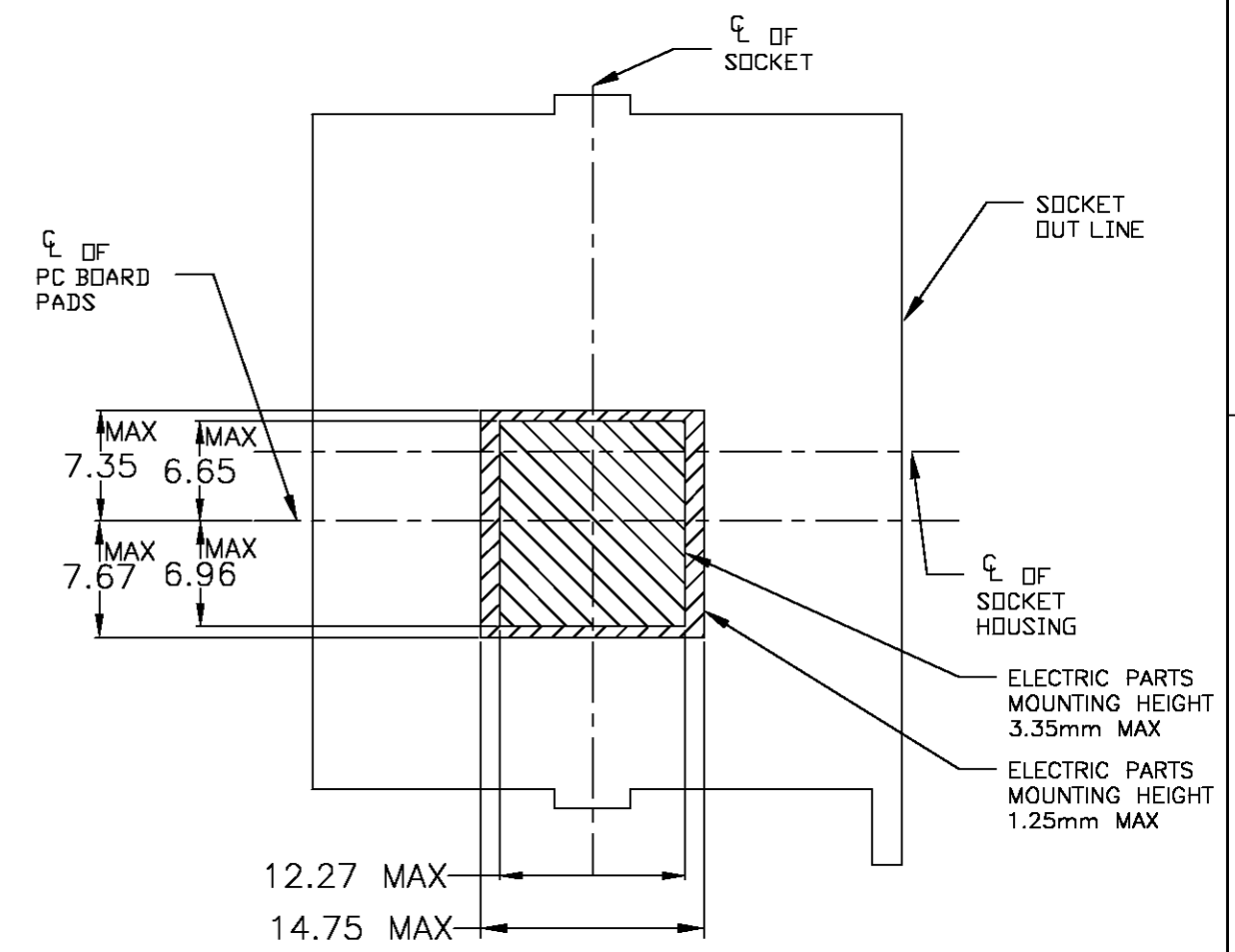


THIS DRAWING IS UNPUBLISHED. RELEASED FOR PUBLICATION
 © COPYRIGHT BY TYCO ELECTRONICS CORPORATION. ALL RIGHTS RESERVED.

LOC	DIST	REVISONS					
J	-	P	LTR	DESCRIPTION	DATE	DWN	APVD
		-	-	SEE SHEET 1	-	-	-

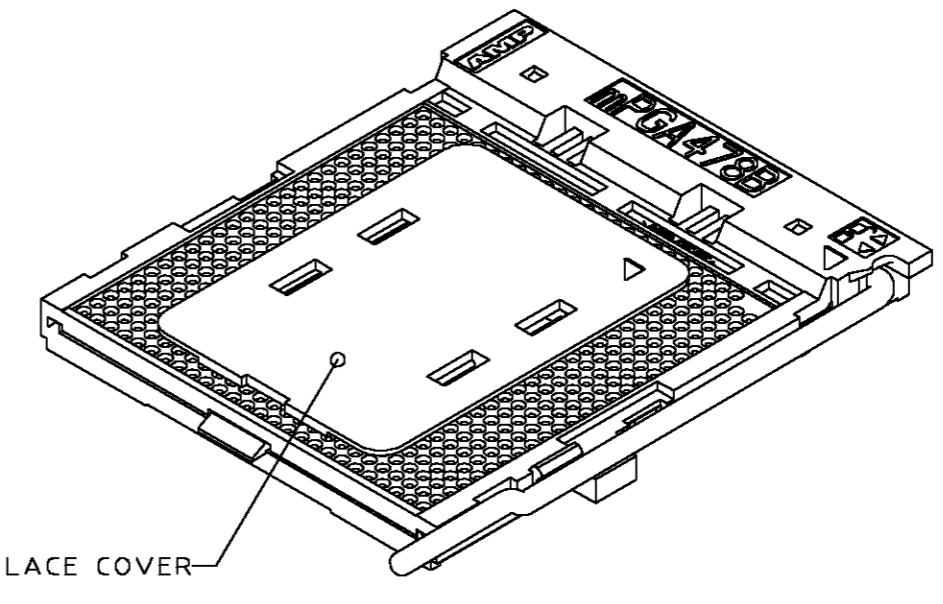
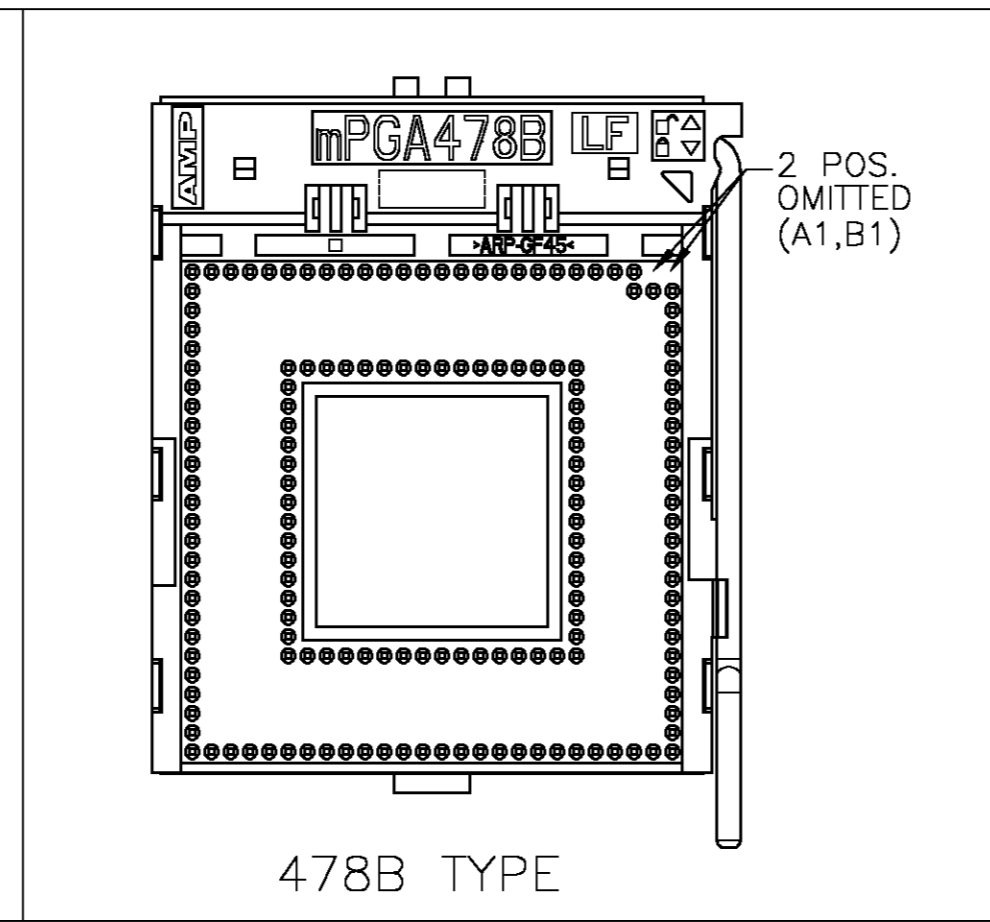
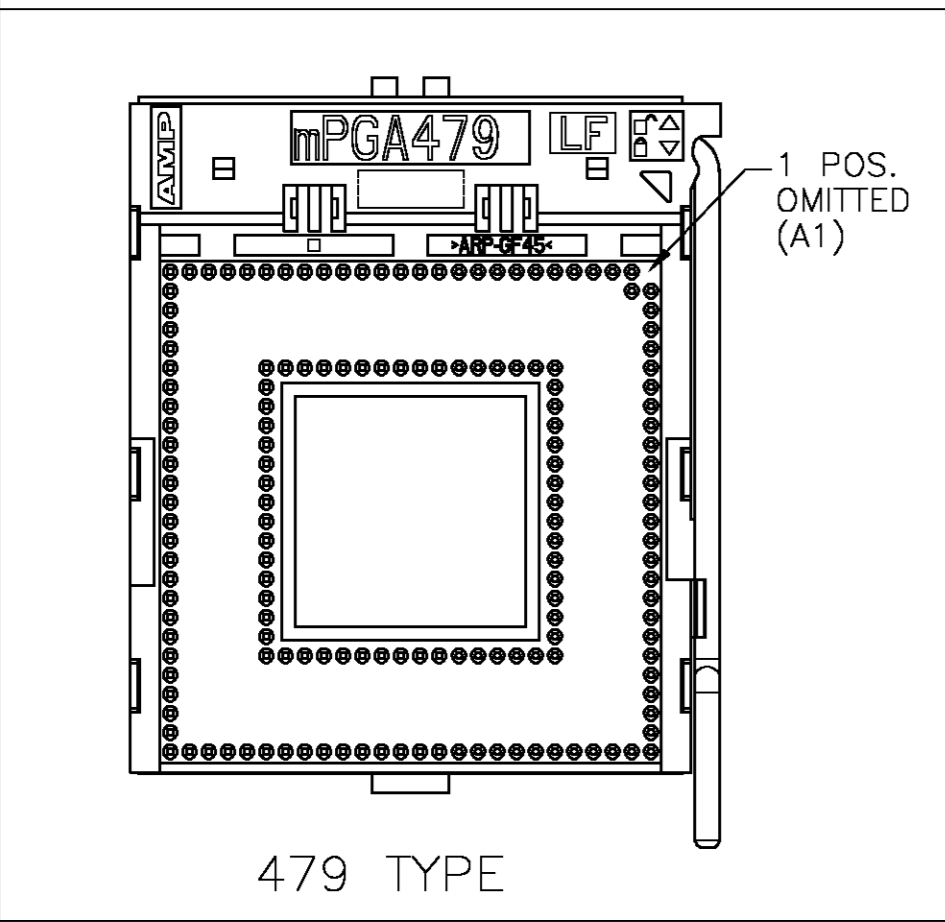


RECOMMENDED PC BOARD LAYOUT



PICK AND PLACE COVER TYPE
KEEP OUT ZONE

SOCKET TYPE VARIATIONS

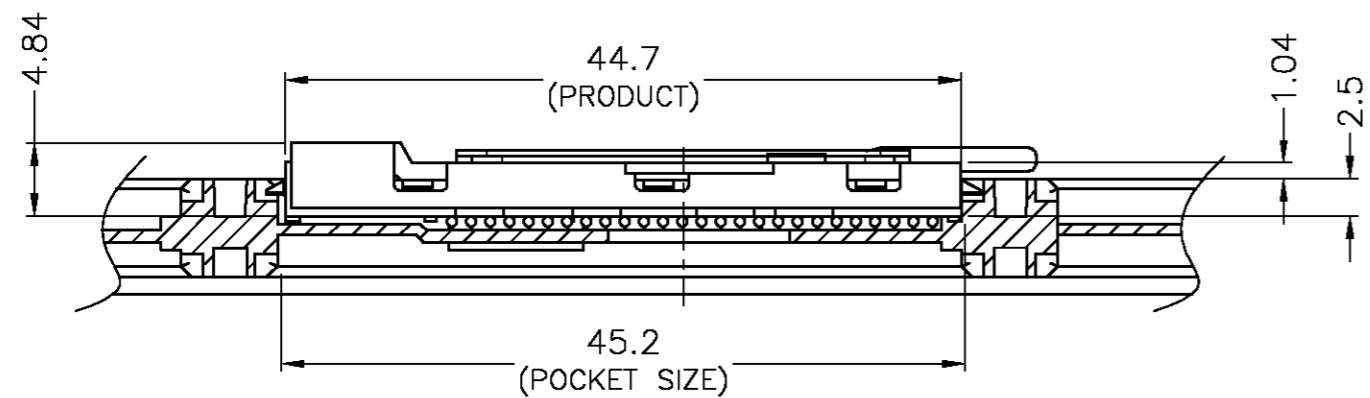
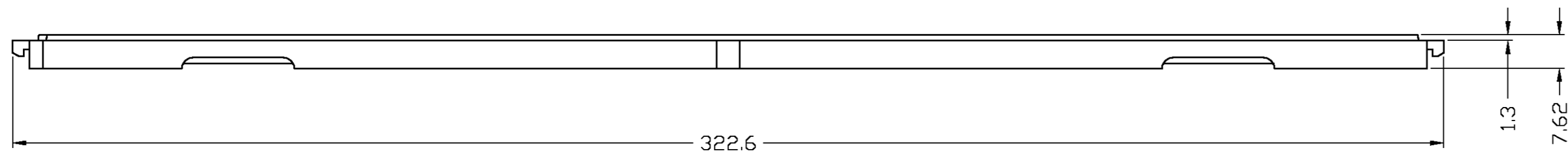
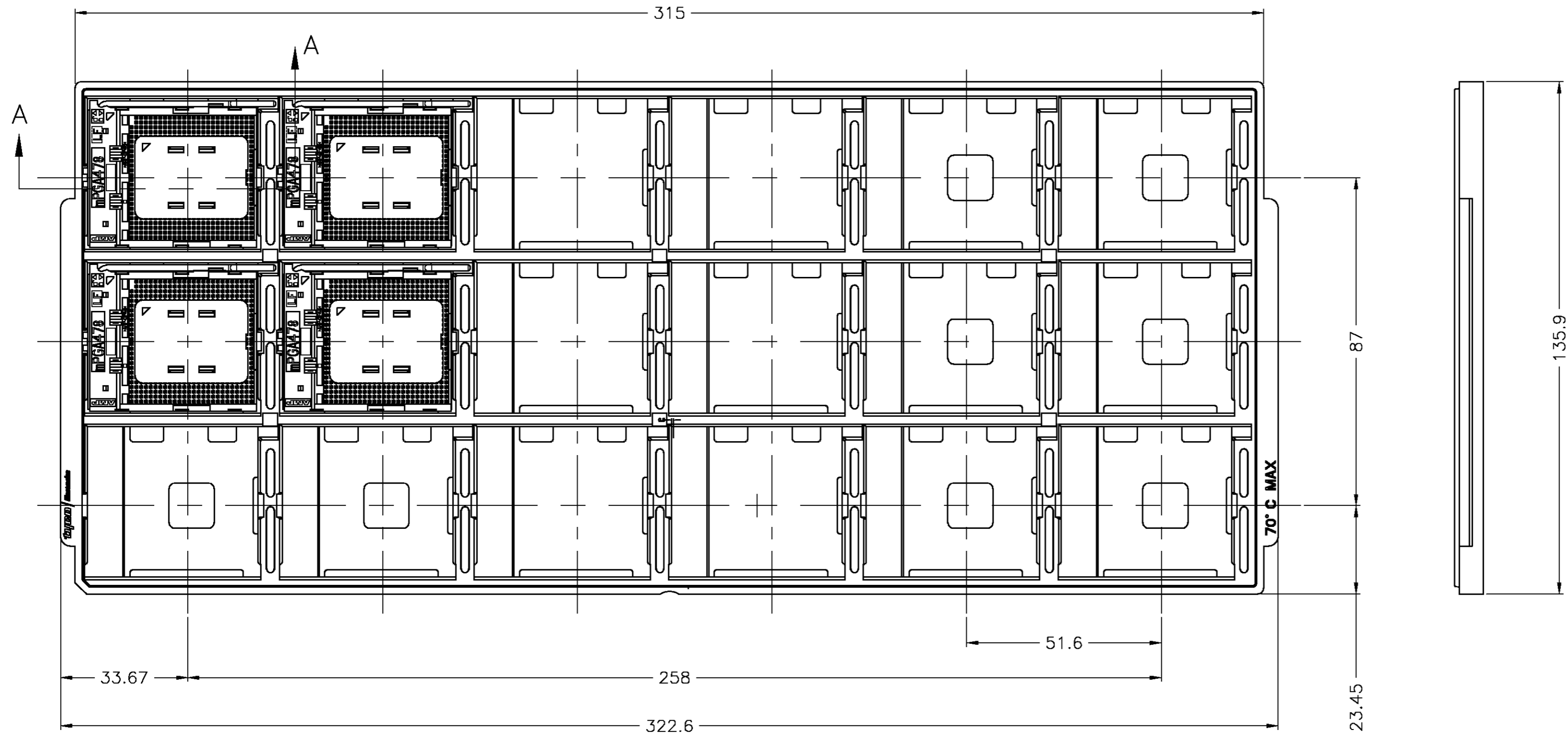


PICK AND PLACE COVER DETAIL

THIS DRAWING IS A CONTROLLED DOCUMENT.		DWN	tyco Electronics		Tyco Electronics AMP K.K. Kawasaki, Japan	
DIMENSIONS: 單位: 毫米		CHK	NAME 名稱		SOCKET ASSEMBLY, LEAD FREE BALL mPGA47X, SURFACE MOUNT, ZIF, 4mm	
TOLERANCES UNLESS OTHERWISE SPECIFIED: 一般公差		APVD	PRODUCT SPEC 製品規格		SIZE	
0 PLC ± -		APPLICATION SPEC 取付適用規格	CAGE CODE		DRAWING NO	
1 PLC ± -		WEIGHT	00779		1489737	
2 PLC ± 0.13		CUSTOMER DRAWING		SCALE	SHEET	REV
3 PLC ± -				2:1	2 OF 3	D
4 PLC ± -						
ANGLES ± 3°						
FINISH 仕上						

THIS DRAWING IS UNPUBLISHED. RELEASED FOR PUBLICATION
 © COPYRIGHT BY TYCO ELECTRONICS CORPORATION. ALL RIGHTS RESERVED.

LOC		DIST		REVISIONS			
P	LTR	DESCRIPTION		DATE	DWN	APVD	
-	-	SEE SHEET 1		-	-	-	



SECT A-A
 SCALE 2:1
 JEDEC TRAY PACKAGE DIMENSION

TRAY MATERIAL: PS

THIS DRAWING IS A CONTROLLED DOCUMENT.		DWN	Tyco Electronics AMP K.K.	
DIMENSIONS: 单位: 毫米		CHK	Kawasaki, Japan	
TOLERANCES UNLESS OTHERWISE SPECIFIED: 一般公差		APVD	NAME 名称	
0 PLC ± 0.5	1 PLC ± 0.5	PRODUCT SPEC 製品規格	SOCKET ASSEMBLY, LEAD FREE BALL, mPGA47X, SURFACE MOUNT, ZIF, 4mm	
2 PLC ± 0.5	3 PLC ± -	APPLICATION SPEC 取付適用規格	SIZE	CAGE CODE
4 PLC ± -	ANGLES ± -	WEIGHT	A2	00779
MATERIAL 材料	FINISH 仕上	CUSTOMER DRAWING	DRAWING NO 番号	RESTRICTED TO
-	-	SCALE 尺度	C=1489737	-
		SCALE 尺度	1:1	SHEET 3 OF 3
				REV D

1489737