

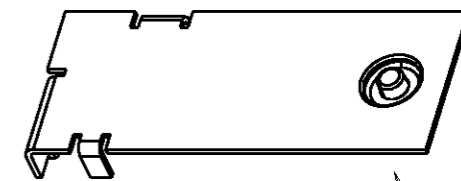
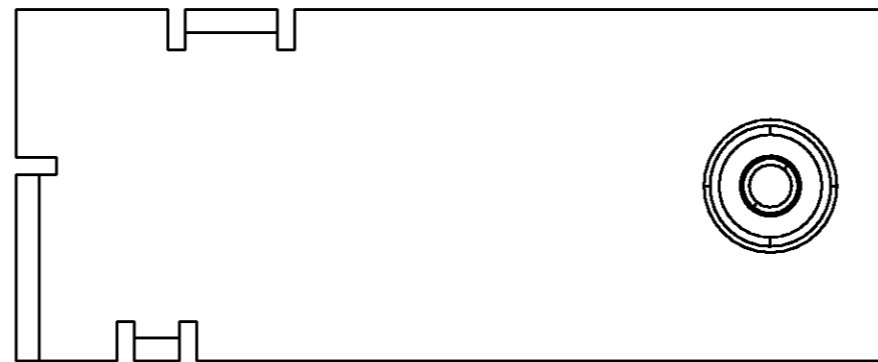
THIS DRAWING IS UNPUBLISHED. RELEASED FOR PUBLICATION 20
 © COPYRIGHT 20 BY TYCO ELECTRONICS CORPORATION. ALL RIGHTS RESERVED.

LOC HQ DIST 00

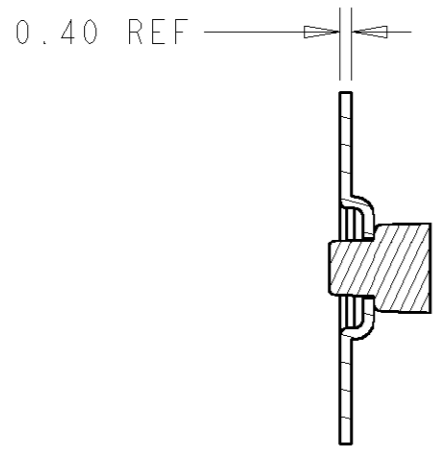
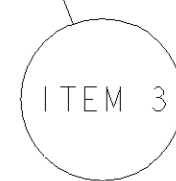
REVISIONS					
P	LTR	DESCRIPTION	DATE	DWN	APVD
	B	Dash Numbers (-2, -3) added	28APR2003	DJL	MAH
	C	Tolerance block updated	05SEPT2003	DJL	MAH

NOTES:

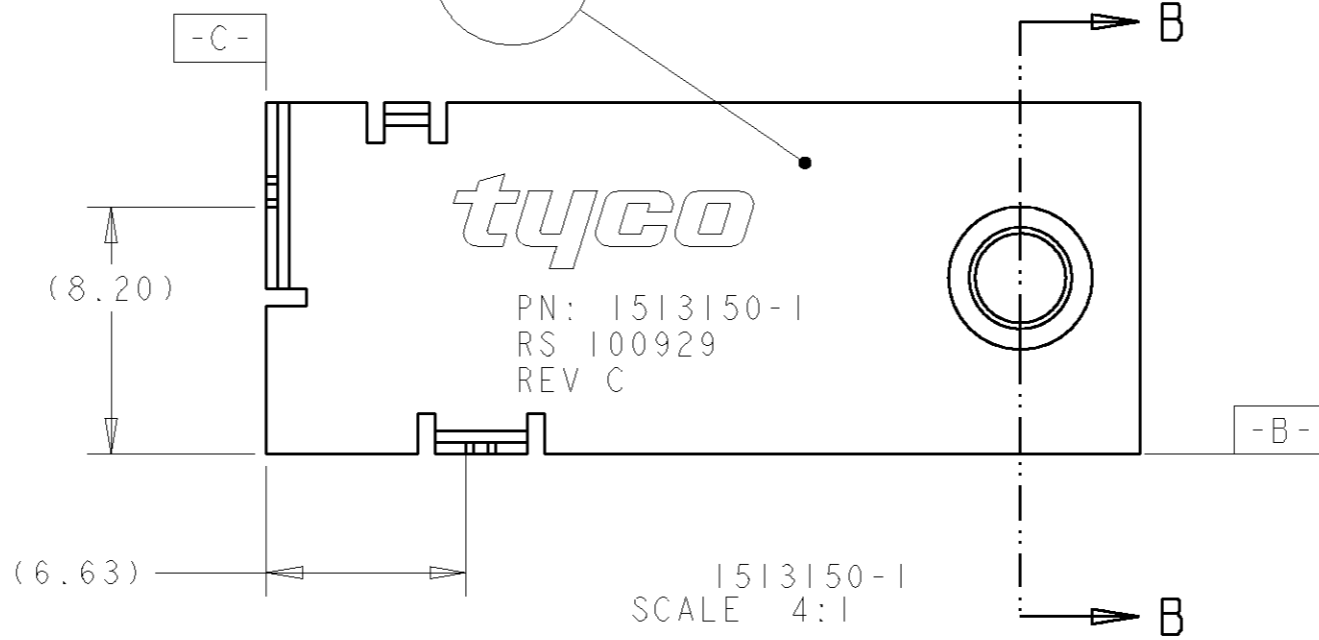
1. INSERT ITEM 2 INTO ITEM 1 TO DIM AND TOLERANCE SHOWN.
2. HEAT STAKE ITEM 2 TO RETAIN STANDOFF. APPROXIMATE FINAL DIAMETER 3.20.
3. PRINT TYCO LOGO, PART NUMBER, REV AND RS MODEL NUMBER. USE TYCO PROVIDED ARTWORK, 2-4mm HIGH CHARACTERS.



1513150-1



SECTION B-B



1513150-1
SCALE 4:1

ITEM NO.	QTY.	PART NO.	DESCRIPTION
3	1	1513150-1	ASSEMBLY
2	1	1513150-3	STANDOFF
1	1	1513150-2	STAMPING

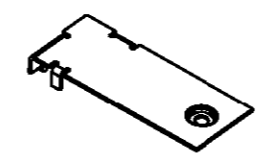
<small>THIS DRAWING IS A CONTROLLED DOCUMENT FOR TYCO ELECTRONICS CORPORATION IT IS SUBJECT TO CHANGE AND THE CONTROLLING ENGINEERING ORGANIZATION SHOULD BE CONTACTED FOR THE LATEST REVISION.</small>		DWN MAH 28APR2003	tyco Tyco Electronics Electronics Rochester, New York 14623	
DIMENSIONS: mm		CHK -	NAME Bluetooth 802.11b Antenna Assembly Fabrication Drawing	
TOLERANCES UNLESS OTHERWISE SPECIFIED: 0 PLC ±.25 1 PLC ±.10 2 PLC ±.05 3 PLC ±.025 4 PLC ±.01 ANGLES ±1		APVD -	RESTRICTED TO -	
MATERIAL -		PRODUCT SPEC -	SIZE A3	CAGE CODE 00779
FINISH -		APPLICATION SPEC -	DRAWING NO C-1513150	
		WEIGHT -	SCALE 2:1 SHEET 1 OF 3 REV C	
		CUSTOMER DRAWING		

THIS DRAWING IS UNPUBLISHED. RELEASED FOR PUBLICATION 20
 © COPYRIGHT 20 BY TYCO ELECTRONICS CORPORATION. ALL RIGHTS RESERVED.

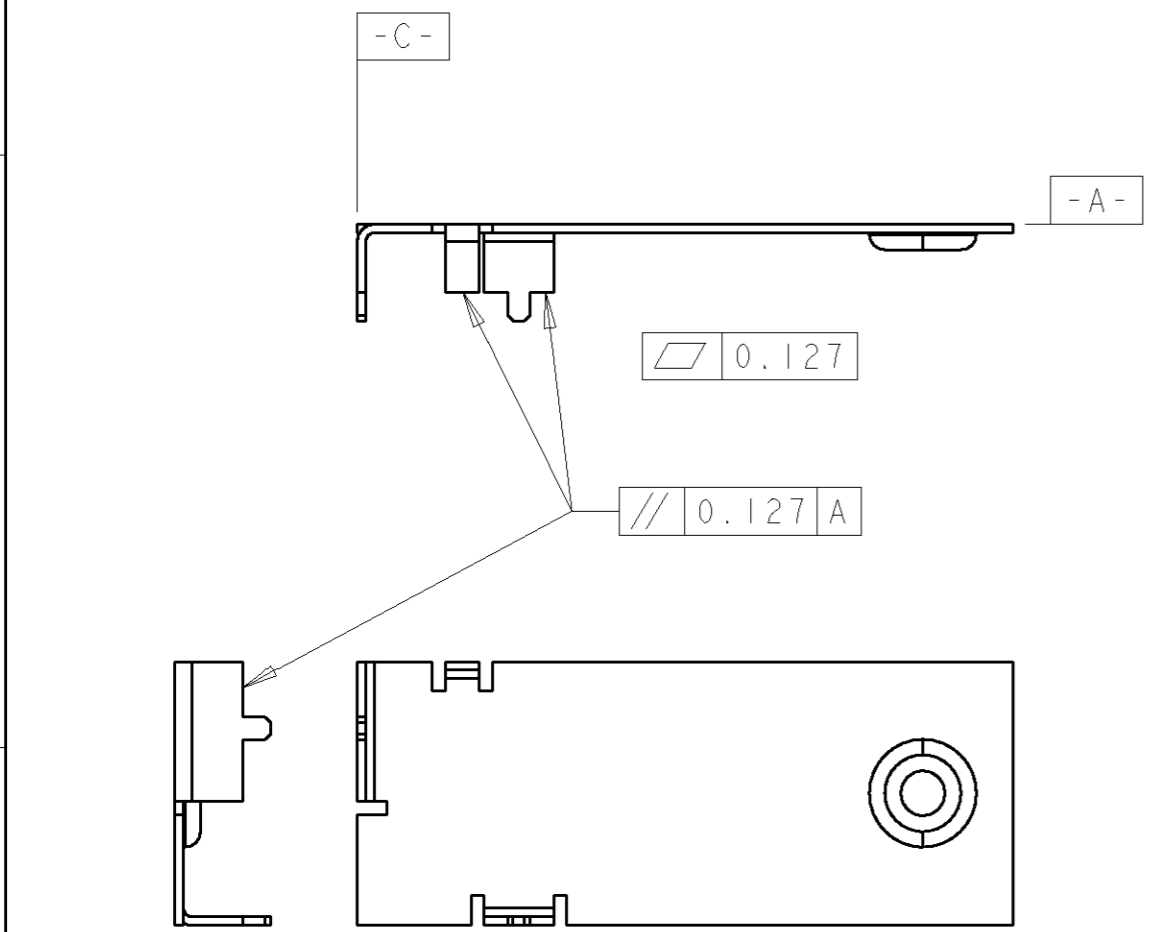
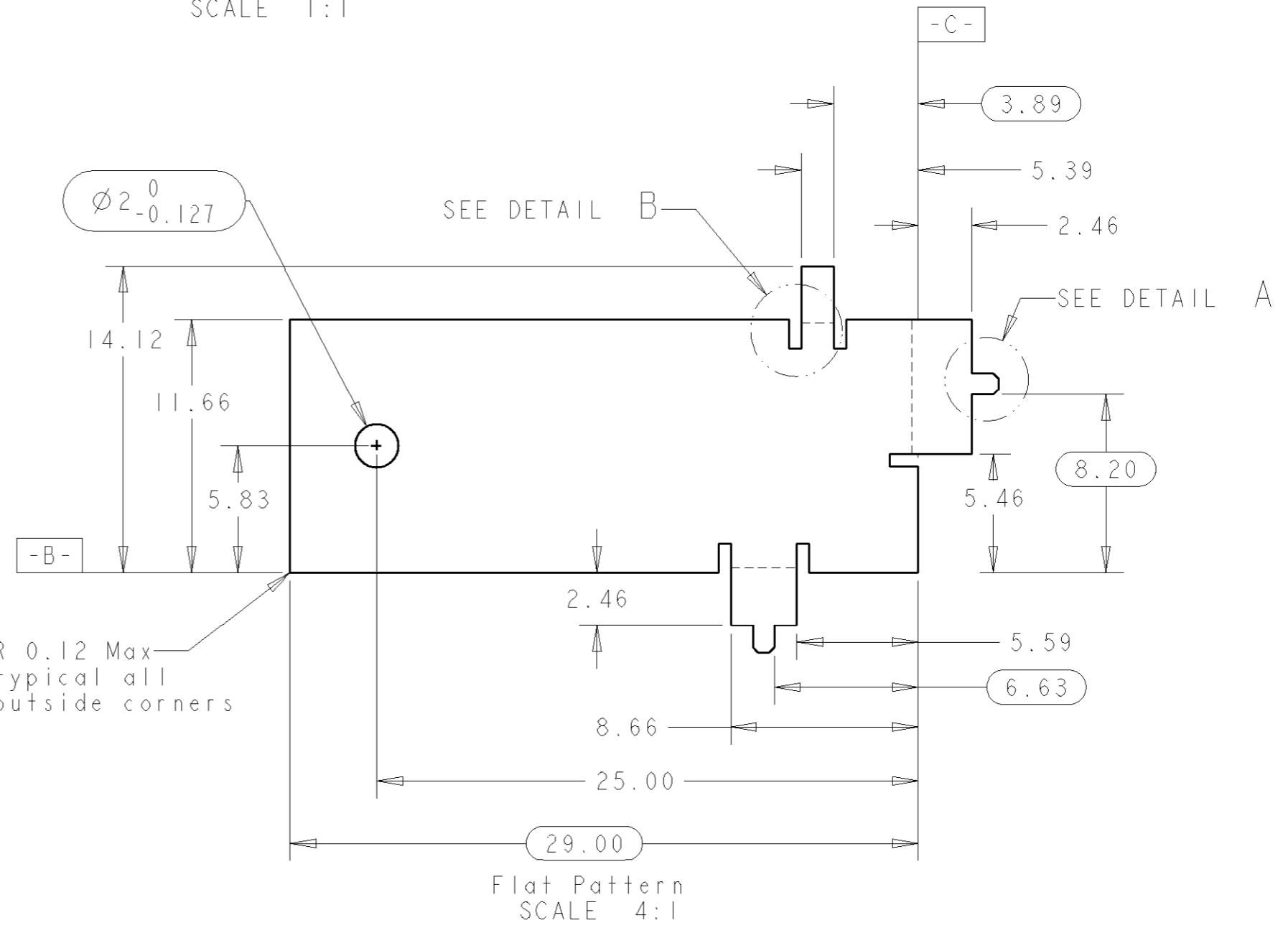
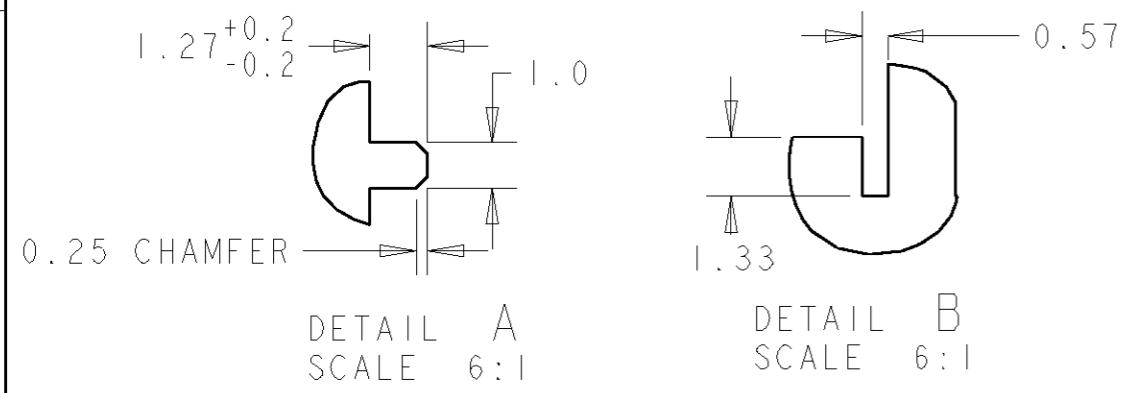
LOC	DIST	REVISIONS				
P	LTR	DESCRIPTION	DATE	DWN	APVD	
HQ	00	-	SEE SHEET 1	-	-	

NOTES:

- MATERIAL: BRASSTYPE CA260, HALF HARD .400 THICK.
- FINISH; BRIGHT TIN PLATED, TO ASTM B545 CLASS B.
- INSIDE BEND RADIUS: .38mm.



1513150-2
SCALE 1:1



SCALE 3:1

<small>THIS DRAWING IS A CONTROLLED DOCUMENT FOR TYCO ELECTRONICS CORPORATION IT IS SUBJECT TO CHANGE AND THE CONTROLLING ENGINEERING ORGANIZATION SHOULD BE CONTACTED FOR THE LATEST REVISION.</small>		DWN MAH 28APR2003	tyco Electronics		Tyco Electronics Rochester, New York 14623
DIMENSIONS: mm		CHK -	NAME		
TOLERANCES UNLESS OTHERWISE SPECIFIED: 0 PLC ±.25 1 PLC ±.10 2 PLC ±.05 3 PLC ±.025 4 PLC ±.01 ANGLES ±1		APVD -	Metal Formed Stamping Fabrication Drawing		
MATERIAL - FINISH -		PRODUCT SPEC -	SIZE A3	CAGE CODE 00779	DRAWING NO C-1513150
		APPLICATION SPEC -	RESTRICTED TO		
		WEIGHT -	SCALE 2:1	SHEET 2 OF 3	REV C
		CUSTOMER DRAWING			

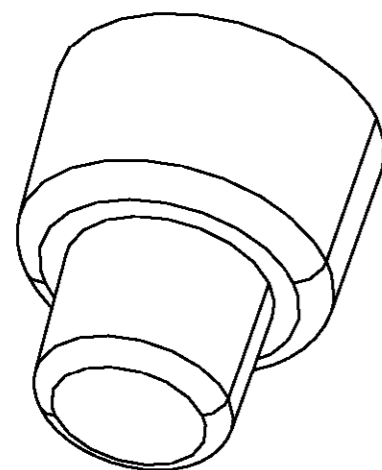
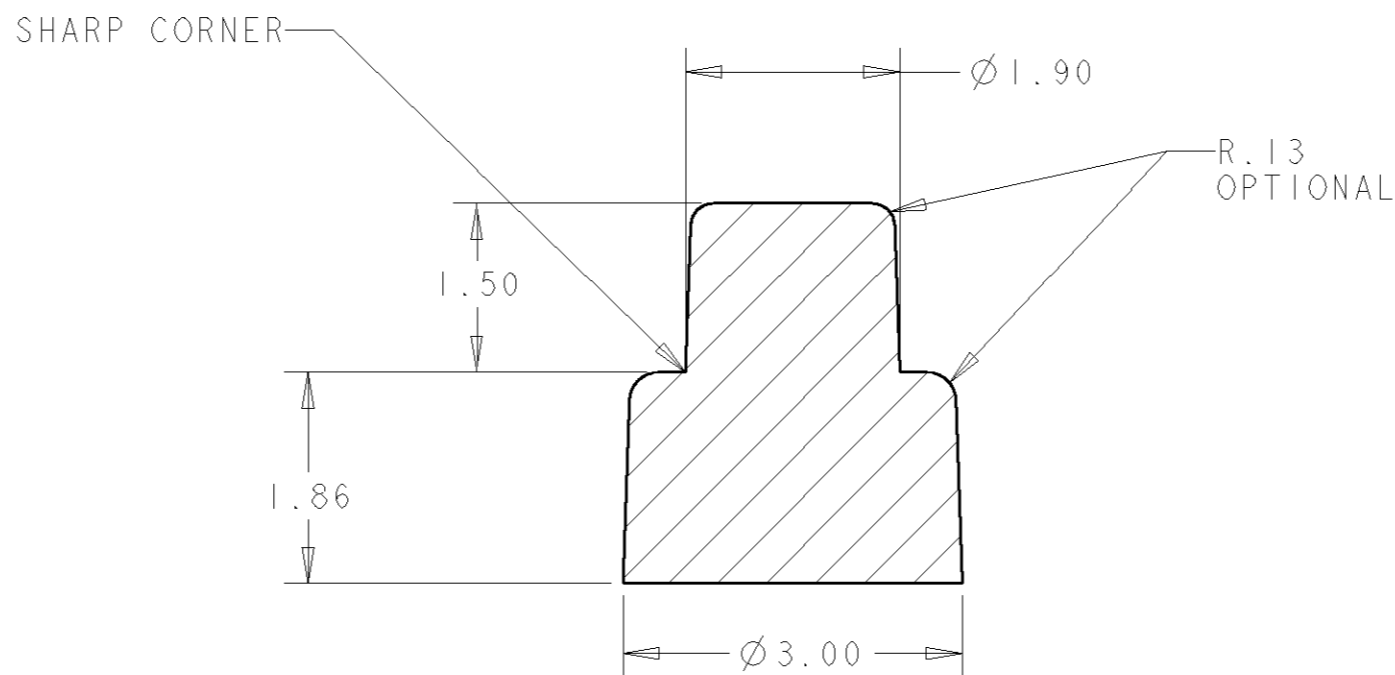
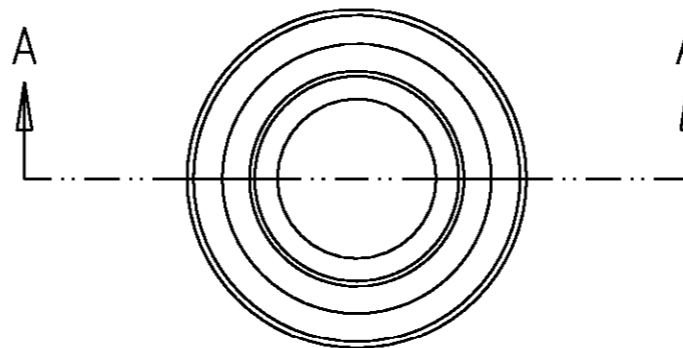
THIS DRAWING IS UNPUBLISHED. RELEASED FOR PUBLICATION 20
 © COPYRIGHT 20 BY TYCO ELECTRONICS CORPORATION. ALL RIGHTS RESERVED.

LOC HQ DIST 00

REVISIONS					
P	LTR	DESCRIPTION	DATE	DWN	APVD
-	-	SEE SHEET 1	-	-	-

NOTES:

- MATERIAL : DOW QUESTRA WA550, 30% GLASS FILLED.
- 1° DRAFT IN DIRECTION OF MOLD PULL.



1513150-3
SCALE 15:1

SECTION A-A

<small>THIS DRAWING IS A CONTROLLED DOCUMENT FOR TYCO ELECTRONICS CORPORATION IT IS SUBJECT TO CHANGE AND THE CONTROLLING ENGINEERING ORGANIZATION SHOULD BE CONTACTED FOR THE LATEST REVISION.</small>		DWN MAH 28APR2003	Tyco Electronics Rochester, New York 14623	
DIMENSIONS: mm		CHK -	NAME	
		APVD -	Plastic Support Standoff Fabrication Drawing	
TOLERANCES UNLESS OTHERWISE SPECIFIED: 0 PLC ±.25 1 PLC ±.10 2 PLC ±.05 3 PLC ±.025 4 PLC ±.01 ANGLES ±1		PRODUCT SPEC -	SIZE A3	RESTRICTED TO -
MATERIAL - FINISH -		APPLICATION SPEC -	CAGE CODE 00779	DRAWING NO C-1513150
WEIGHT -		WEIGHT -	SCALE 2:1	SHEET 3 OF 3 REV C
CUSTOMER DRAWING		SCALE 2:1 SHEET 3 OF 3 REV C		