

THIS DRAWING IS UNPUBLISHED. RELEASED FOR PUBLICATION
 © COPYRIGHT BY TYCO ELECTRONICS CORPORATION. ALL RIGHTS RESERVED.

LOC	DIST	REVISIONS			
P	LTR	DESCRIPTION	DATE	DWN	APVD
FT	0	K3	REVISED PER ECO-06-27836	11/28/06	SS SRY

PHYSICAL PROPERTIES:
 HOUSING MATERIAL: THERMOPLASTIC, PC
 FLAMABILITY: UL94V-0
 COLOR: BLACK

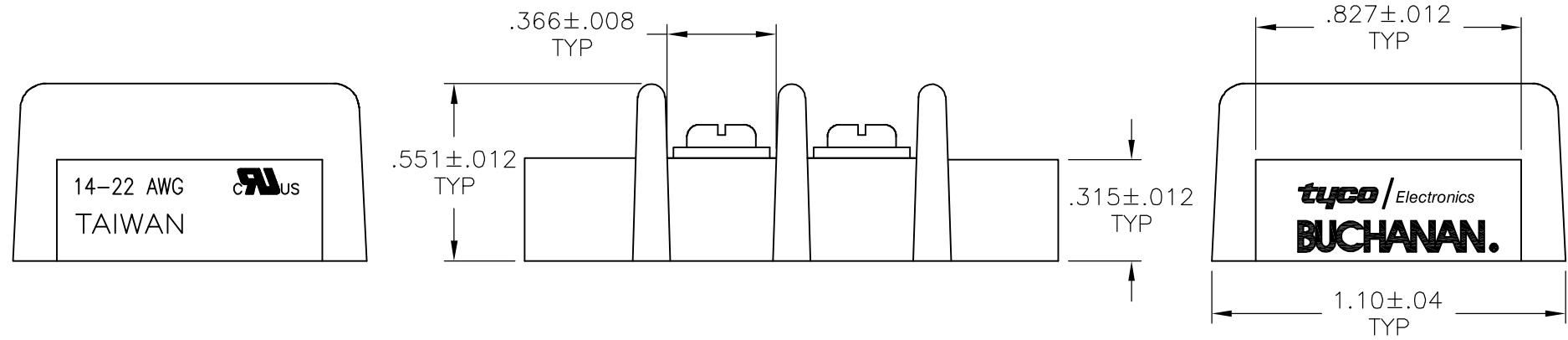
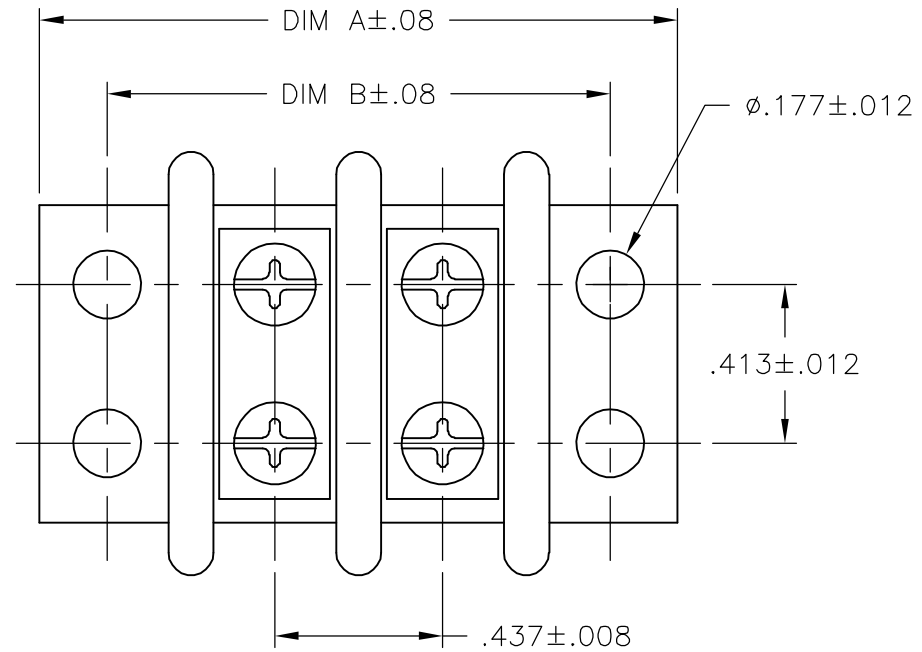
TERMINAL:
 TERMINALS: BRASS, TIN PLATED
 SCREWS: 6-32 STEEL, NICKEL PLATED

MECHANICAL:
 PITCH: .437
 WIRE RANGE: 14-22 AWG
 RECOMMENDED TIGHTENING TORQUE: 12IN-LB

ELECTRICAL PROPERTIES:
 MAX CURRENT: 25A
 OPERATING VOLTAGE: 300V

ENVIRONMENTAL PROPERTIES:
 OPERATING TEMP: -40°C TO 120°C

- ① SEE FIGURE.
- ② PRELIMINARY PART NUMBER.

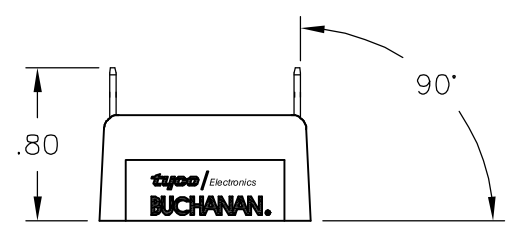
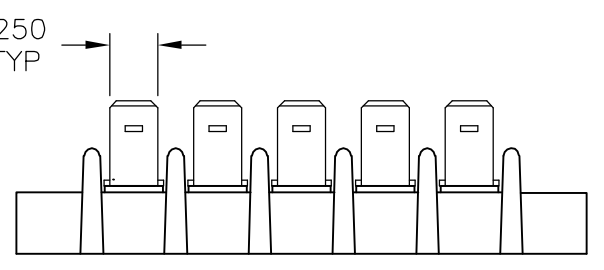
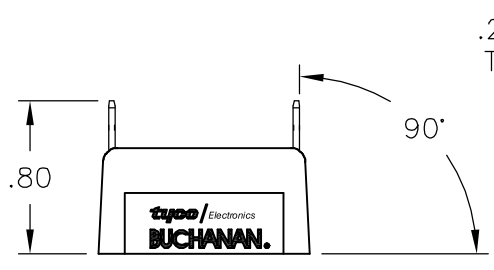
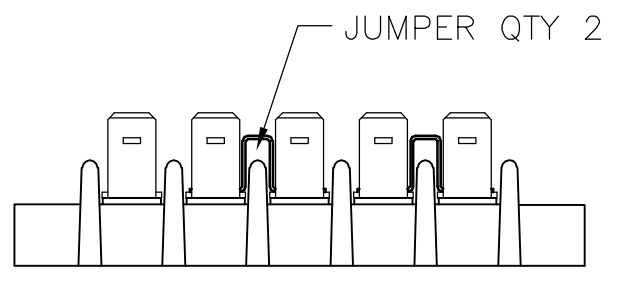
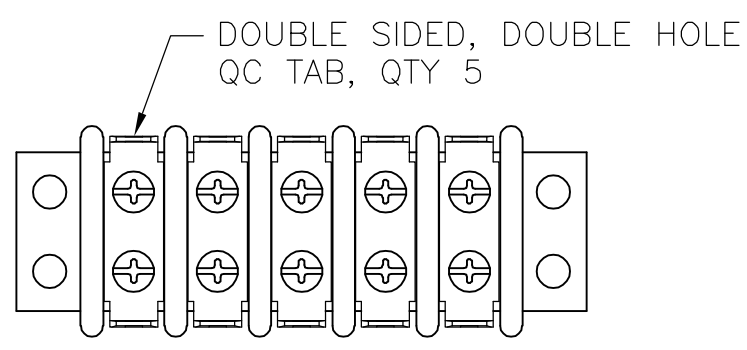
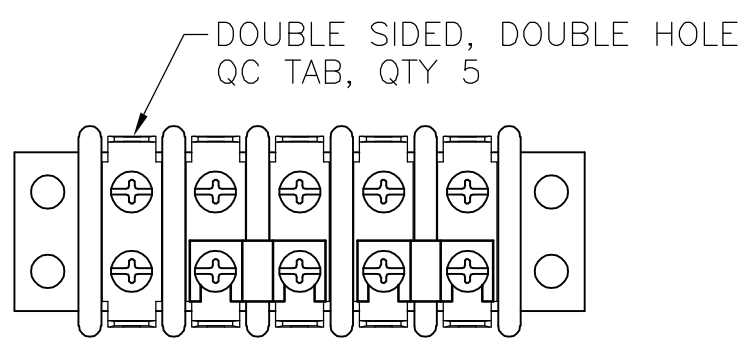


10.890	11.236	24	2-1546670-4
10.453	10.799	23	2-1546670-3
10.016	10.362	22	2-1546670-2
9.579	9.925	21	2-1546670-1
9.142	9.488	20	2-1546670-0
8.705	9.051	19	1-1546670-9
②① 8.268	8.614	18	3-1546670-0
②① 8.268	8.614	18	1-1546670-8
7.831	8.177	17	1-1546670-7
7.394	7.740	16	1-1546670-6
6.957	7.303	15	1-1546670-5
6.520	6.866	14	1-1546670-4
6.083	6.429	13	1-1546670-3
5.646	5.992	12	1-1546670-2
5.209	5.555	11	1-1546670-1
4.772	5.118	10	1-1546670-0
②① 4.335	4.681	9	3-1546670-5
②① 4.335	4.681	9	3-1546670-2
4.335	4.681	9	1546670-9
②① 3.898	4.244	8	3-1546670-4
②① 3.898	4.244	8	3-1546670-3
3.898	4.244	8	1546670-8
3.461	3.807	7	1546670-7
②① 3.024	3.370	6	3-1546670-1
3.024	3.370	6	1546670-6
① 2.587	2.933	5	2-1546670-8
① 2.587	2.933	5	2-1546670-7
2.587	2.933	5	1546670-5
① 2.150	2.496	4	2-1546670-9
2.150	2.496	4	1546670-4
1.713	2.059	3	1546670-3
1.276	1.622	2	1546670-2
DIM B	DIM A	NO OF POS	TYCO NUMBER

THIS DRAWING IS A CONTROLLED DOCUMENT.		DWN S SCHEGEL 4/4/03	BUCHANAN Tyco Electronics Corporation Harrisburg, PA 17105	
DIMENSIONS: INCHES		CHK C RICHARD 4/4/03		
TOLERANCES UNLESS OTHERWISE SPECIFIED:		APVD C RICHARD 4/4/03	NAME	
0 PLC ± -		PRODUCT SPEC	DOUBLE ROW BARRIER STRIP W/ BINDING HD SCREW, .437 SPACING	
1 PLC ± -		APPLICATION SPEC	-	
2 PLC ± .01		WEIGHT -	SIZE A3	CAGE CODE 00779
3 PLC ± .005		CUSTOMER DRAWING	DRAWING NO	RESTRICTED TO
4 PLC ± -			C-1546670	-
ANGLES ± 3'		SCALE NTS	SHEET 1 OF 4	REV K3
MATERIAL -				
FINISH -				

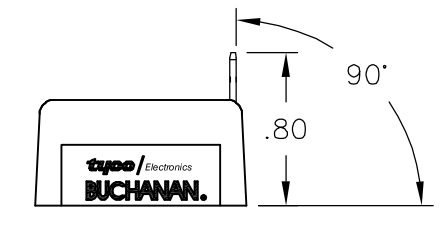
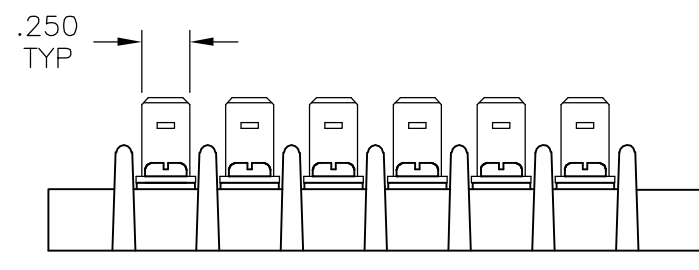
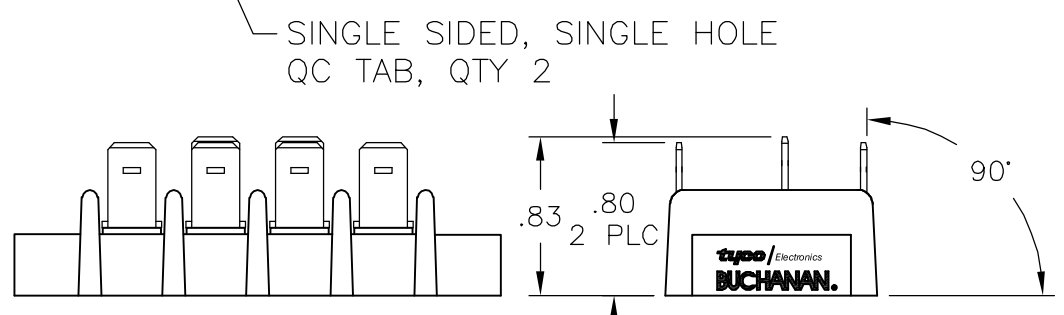
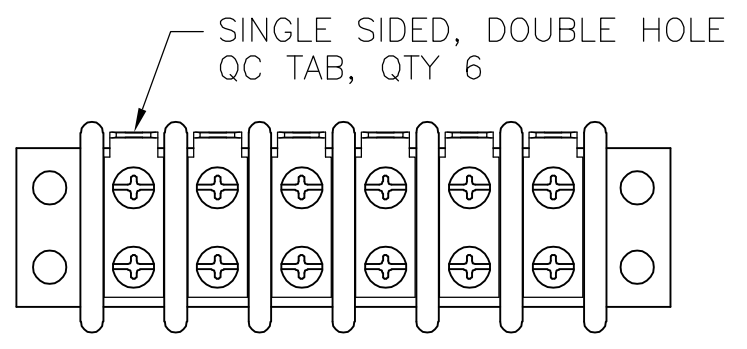
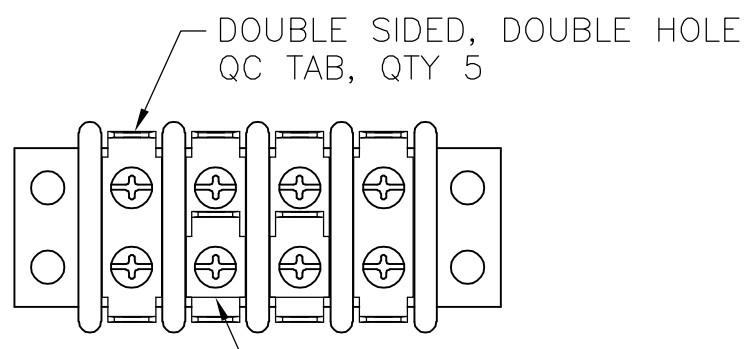
THIS DRAWING IS UNPUBLISHED. RELEASED FOR PUBLICATION
 © COPYRIGHT - BY TYCO ELECTRONICS CORPORATION. ALL RIGHTS RESERVED.

LOC	DIST	REVISIONS					
FT	0	P	LTR	DESCRIPTION	DATE	DWN	APVD
		-		SEE SHEET 1	-	-	-



2-1546670-7

2-1546670-8



2-1546670-9

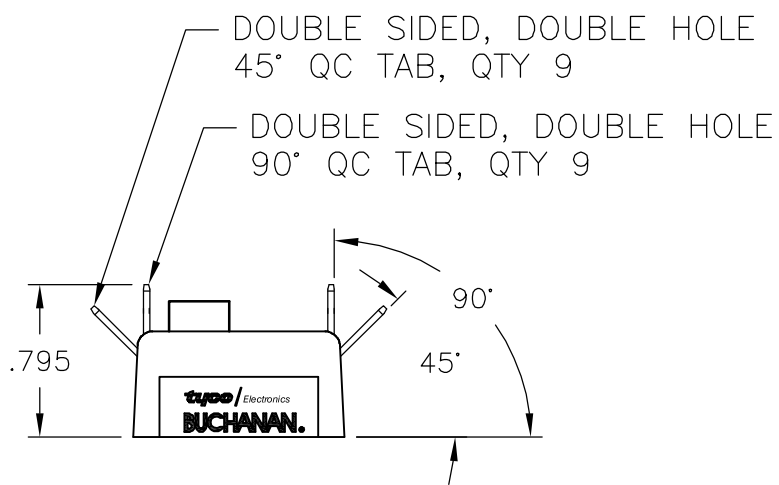
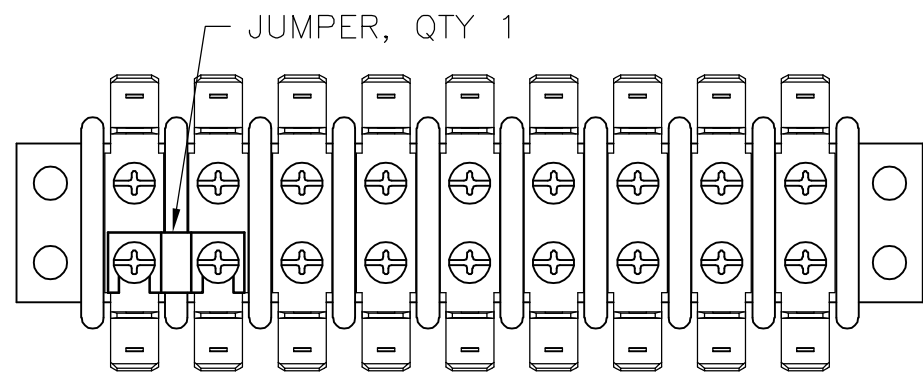
3-1546670-1

11.764	12.110	26	2-1546670-6
11.327	11.673	25	2-1546670-5
DIM B	DIM A	NO OF POS	TYCO NUMBER

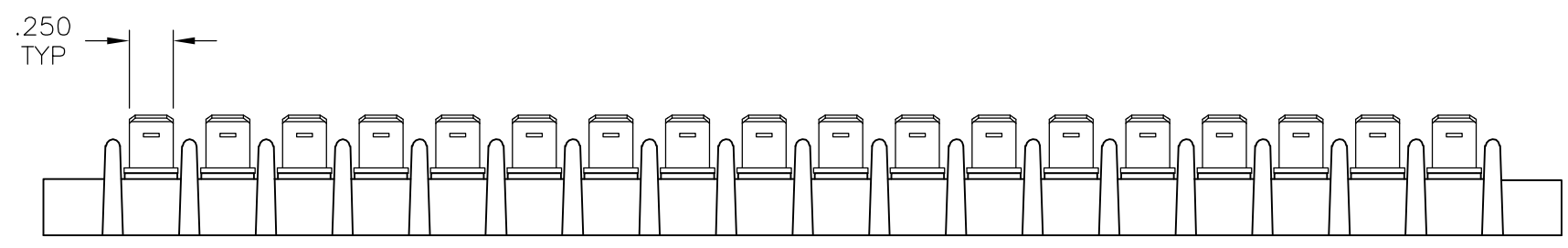
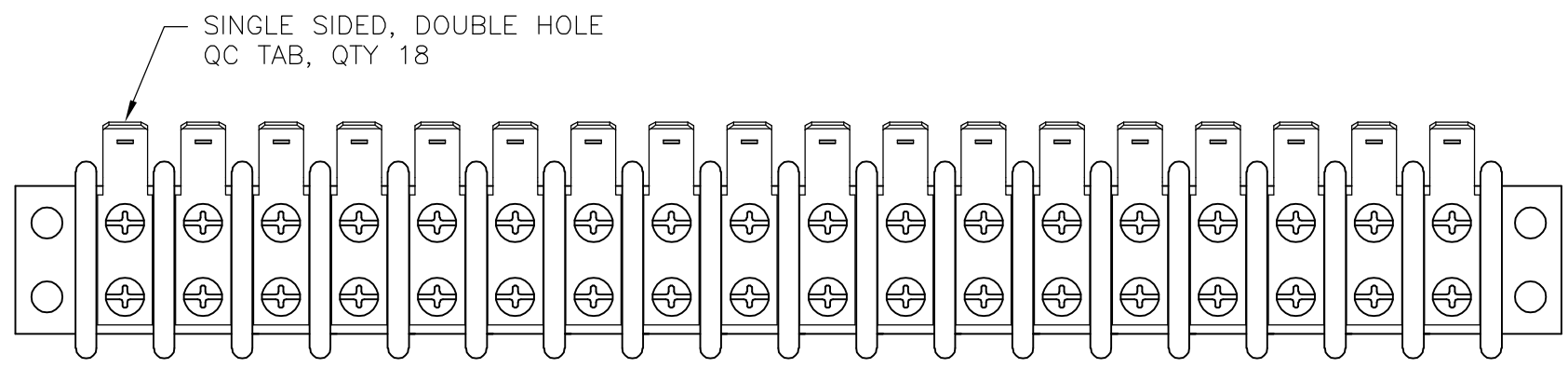
THIS DRAWING IS A CONTROLLED DOCUMENT.		DWN	S SCHEGEL	4/4/03	BUCHANAN Tyco Electronics Corporation Harrisburg, PA 17105		
DIMENSIONS: INCHES		CHK	C RICHARD	4/4/03			
TOLERANCES UNLESS OTHERWISE SPECIFIED:		APVD	C RICHARD	4/4/03	NAME		
0 PLC ± -		PRODUCT SPEC		DOUBLE ROW BARRIER STRIP W/ BINDING HD SCREW, .437 SPACING			
1 PLC ± -		APPLICATION SPEC		-			
2 PLC ± .01		SIZE	A3	CAGE CODE	00779	DRAWING NO	C-1546670
3 PLC ± .005		WEIGHT		RESTRICTED TO		-	
4 PLC ± -		CUSTOMER DRAWING					
ANGLES ± 3'		SCALE		NTS		SHEET 2 OF 4	
FINISH		REV		K3			

THIS DRAWING IS UNPUBLISHED. RELEASED FOR PUBLICATION
 © COPYRIGHT BY TYCO ELECTRONICS CORPORATION. ALL RIGHTS RESERVED.

LOC	DIST	REVISIONS			
P	LTR	DESCRIPTION	DATE	DWN	APVD
FT	0	SEE SHEET 1	-	-	-



3-1546670-2

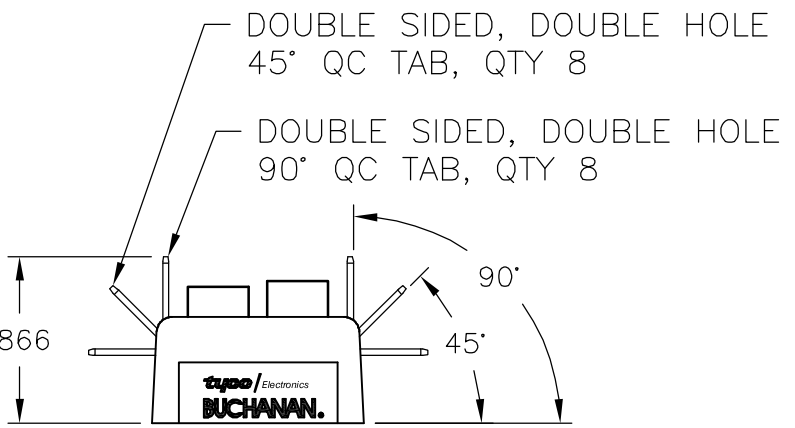
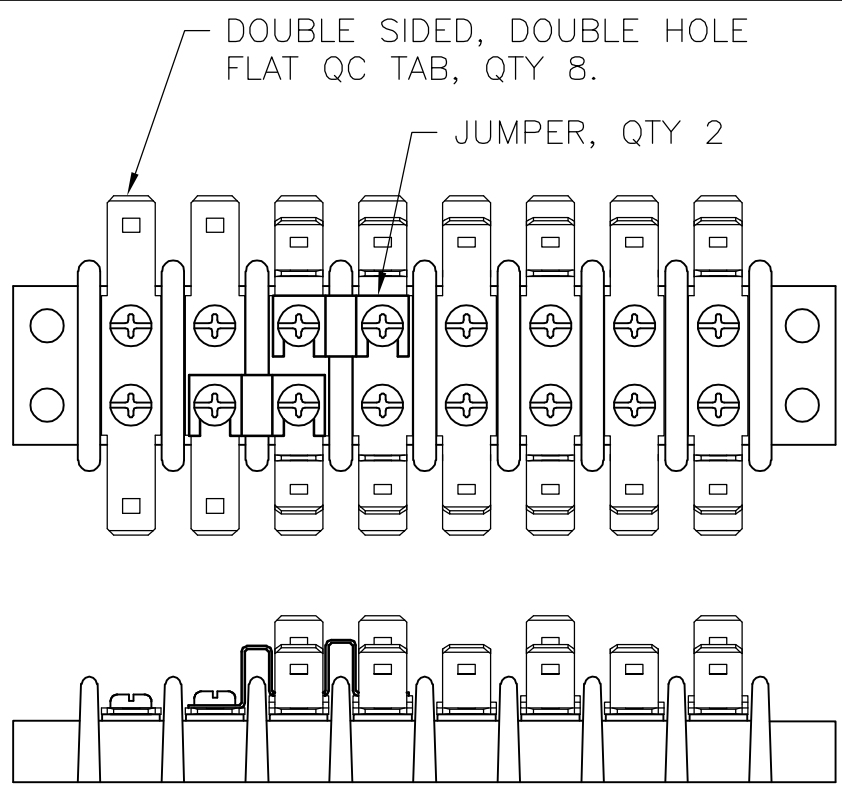


3-1546670-0

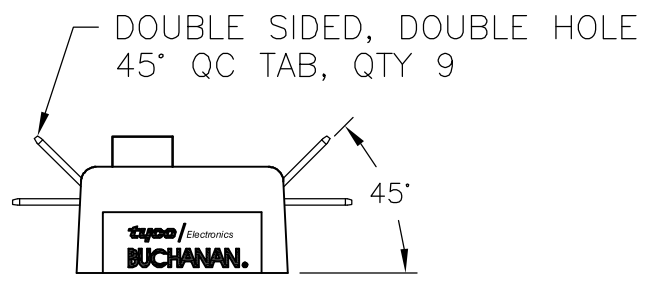
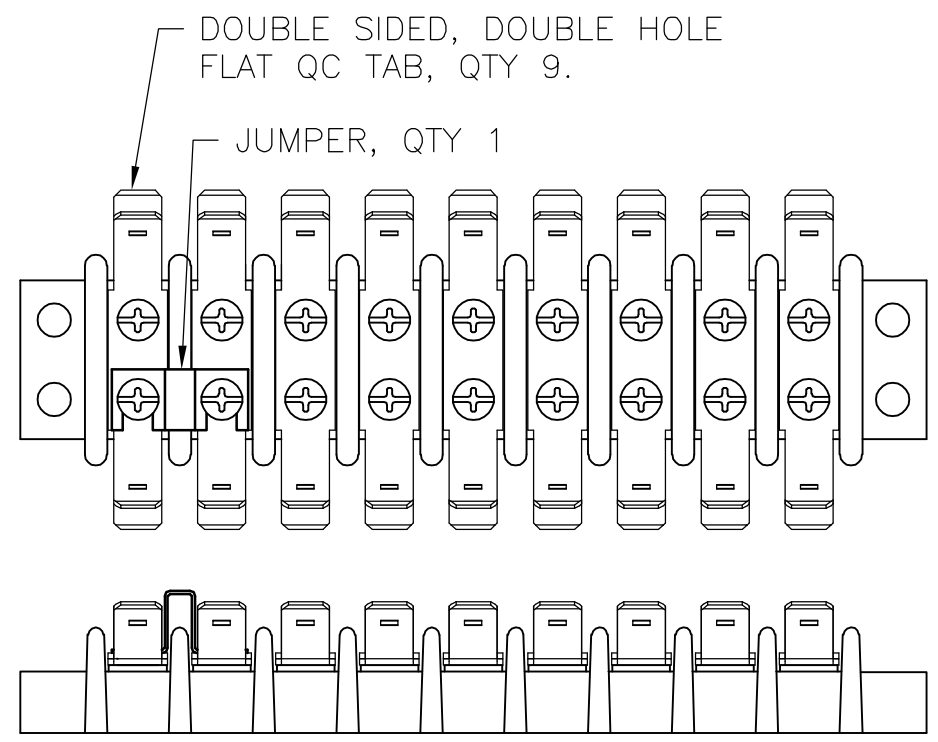
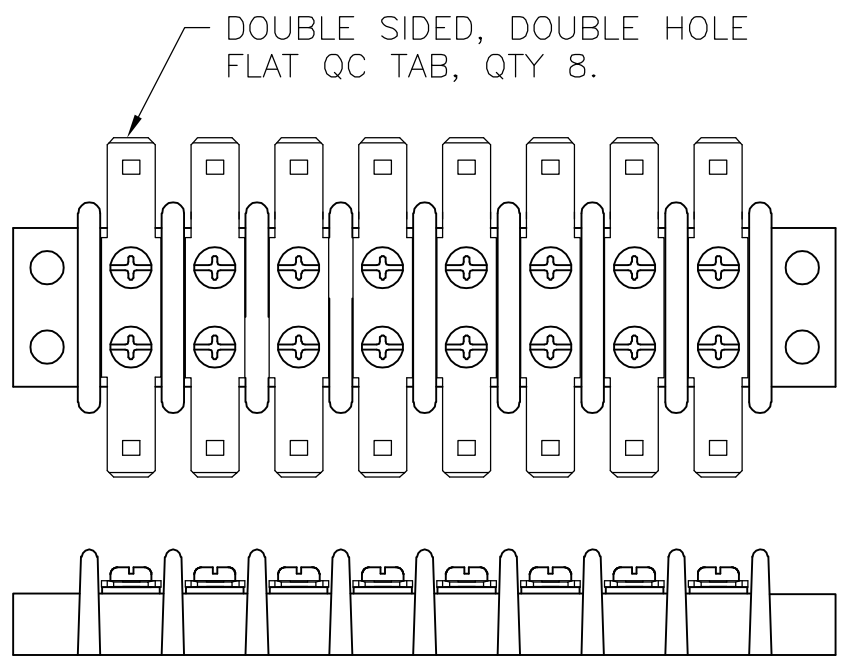
THIS DRAWING IS A CONTROLLED DOCUMENT.		DWN S SCHEGEL 4/4/03	BUCHANAN Tyco Electronics Corporation Harrisburg, PA 17105				
DIMENSIONS: INCHES		CHK C RICHARD 4/4/03					
TOLERANCES UNLESS OTHERWISE SPECIFIED:		APVD C RICHARD 4/4/03	NAME DOUBLE ROW BARRIER STRIP W/ BINDING HD SCREW, .437 SPACING				
0 PLC ± - 1 PLC ± - 2 PLC ± .01 3 PLC ± .005 4 PLC ± - ANGLES ± 3°		PRODUCT SPEC -	APPLICATION SPEC -				
MATERIAL -		FINISH -	WEIGHT -	SIZE A3	CAGE CODE 00779	DRAWING NO C-1546670	RESTRICTED TO -
CUSTOMER DRAWING			SCALE NTS	SHEET 3 OF 4	REV K3		

THIS DRAWING IS UNPUBLISHED. RELEASED FOR PUBLICATION
 © COPYRIGHT BY TYCO ELECTRONICS CORPORATION. ALL RIGHTS RESERVED.

LOC	DIST	REVISIONS					
FT	0	P	LTR	DESCRIPTION	DATE	DWN	APVD
				SEE SHEET 1			



3-1546670-3



3-1546670-4

3-1546670-5

THIS DRAWING IS A CONTROLLED DOCUMENT.		DWN	S SCHEGEL	4/4/03	BUCHANAN	Tyco Electronics Corporation		
DIMENSIONS: INCHES		CHK	C RICHARD	4/4/03		Harrisburg, PA 17105		
TOLERANCES UNLESS OTHERWISE SPECIFIED:		APVD	C RICHARD	4/4/03		NAME		
0 PLC ± - 1 PLC ± - 2 PLC ± .01 3 PLC ± .005 4 PLC ± - ANGLES ± 3°		PRODUCT SPEC		DOUBLE ROW BARRIER STRIP W/ BINDING HD SCREW, .437 SPACING				
MATERIAL		APPLICATION SPEC		SIZE		CAGE CODE	DRAWING NO	RESTRICTED TO
-		-		A3		00779	C-1546670	-
CUSTOMER DRAWING				WEIGHT	SCALE		SHEET	REV
-				-		NTS		4 OF 4
								K3