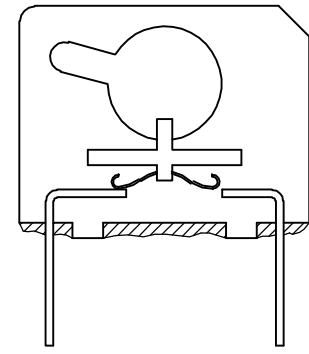
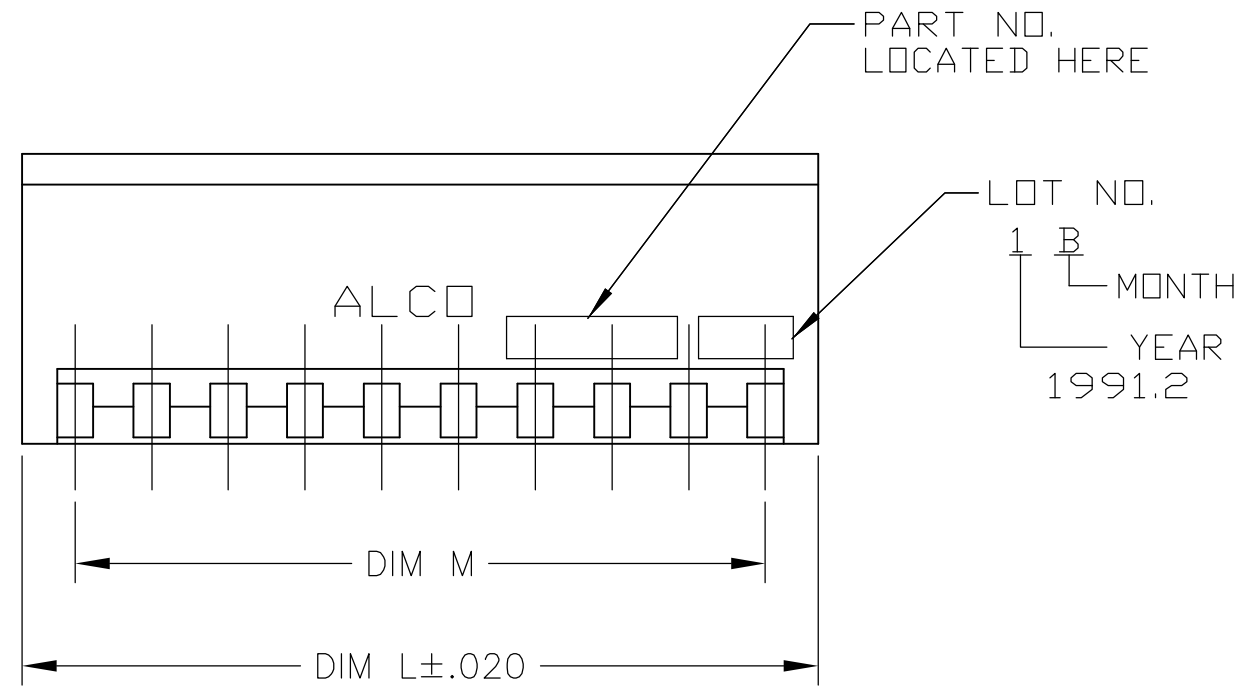


THIS DRAWING IS UNPUBLISHED. RELEASED FOR PUBLICATION
 © COPYRIGHT BY TYCO ELECTRONICS CORPORATION. ALL RIGHTS RESERVED.

LOC		DIST		REVISIONS			
P	LTR	DESCRIPTION		DATE	DWN	APVD	
AD	00	A	ECO-06-2321	18MAY06	MB	MS	



CROSS SECTION

SPECIFICATIONS:

MATERIALS:

- CASE: PPS, UL94V0-BLACK
- COVER: PPS, UL94V0-BLACK
- ACTUATOR: LCP, UL94V0-WHITE
- CONTACTS AND TERMINALS: COPPER ALLOY, GOLD OVER NICKEL
- TAPE SEAL: POLYIMIDE FILM

ELECTRICAL:

- CONTACT RATING: NON-SWITCHING: 100mA @ 50VDC
- SWITCHING: 25mA 24VDC
- INITIAL CONTACT RESISTANCE: 100 MILLIOHMS MAX. @ 2VDC, 10mA
- INSULATION RESISTANCE: 100 MEGOHMS MIN. @ 100VDC
- DIELECTRIC STRENGTH: 300VAC FOR 1 MINUTE
- LIFE EXPECTANCY: 1000 CYCLES

MECHANICAL:

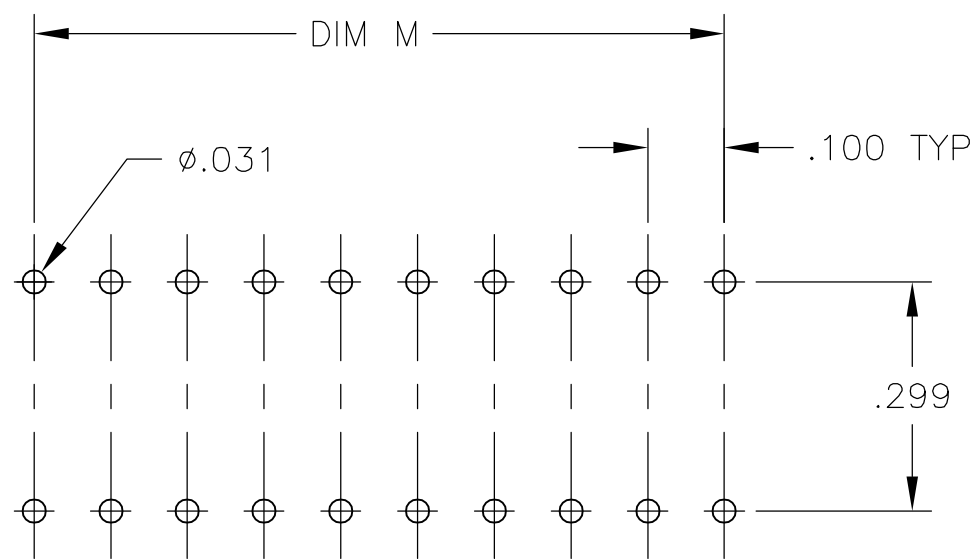
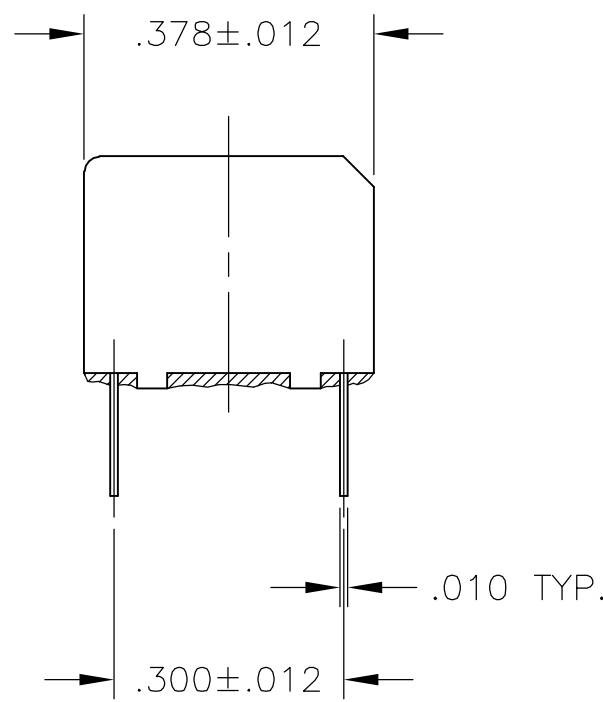
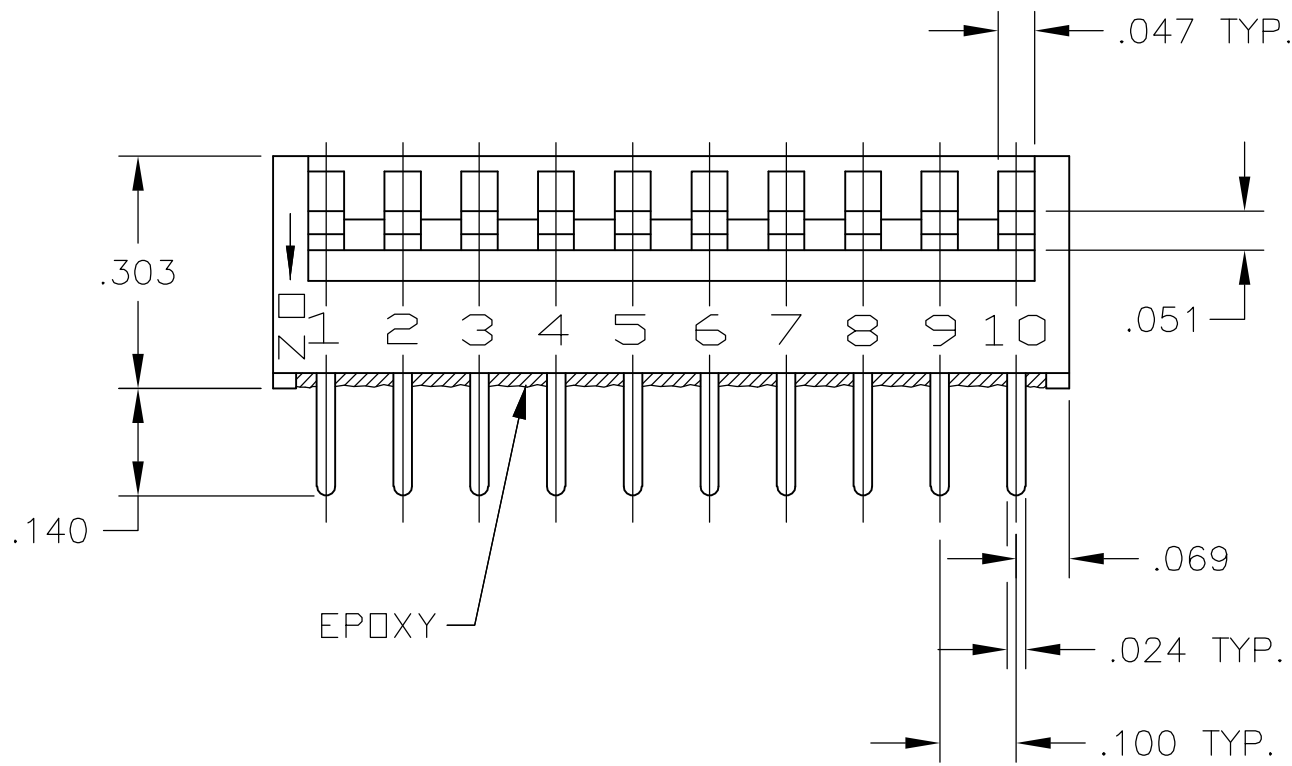
- ACTUATION FORCE: 600 GRAMS MAX

ENVIRONMENTAL:

- OPERATING TEMPERATURE: -30°C TO +85°C
- STORAGE TEMPERATURE: -45°C TO +100°C
- SOLDER HEAT RESISTANCE PER 109-202, CONDITION B (THRU-HOLE) OR 109-201, CONDITION B (SMT)
- SOLDERABILITY PER JIS C 0500 & JIS C 0053

NOTES:

- FOR P/N TABLE & SURFACE MOUNT DETAILS SEE SHEET 2
- TAPE AND REEL PACKAGING PER EIA 481 - PART NO.S GDSXXSTR.
- ALL MATERIALS AND FINISHES SHALL COMPLY WITH EU DIRECTIVE 2002/95/EC OF 27JAN2003 (ROHS)
- SWITCH TO BE RECEIVED IN THE "ON" POSITION.



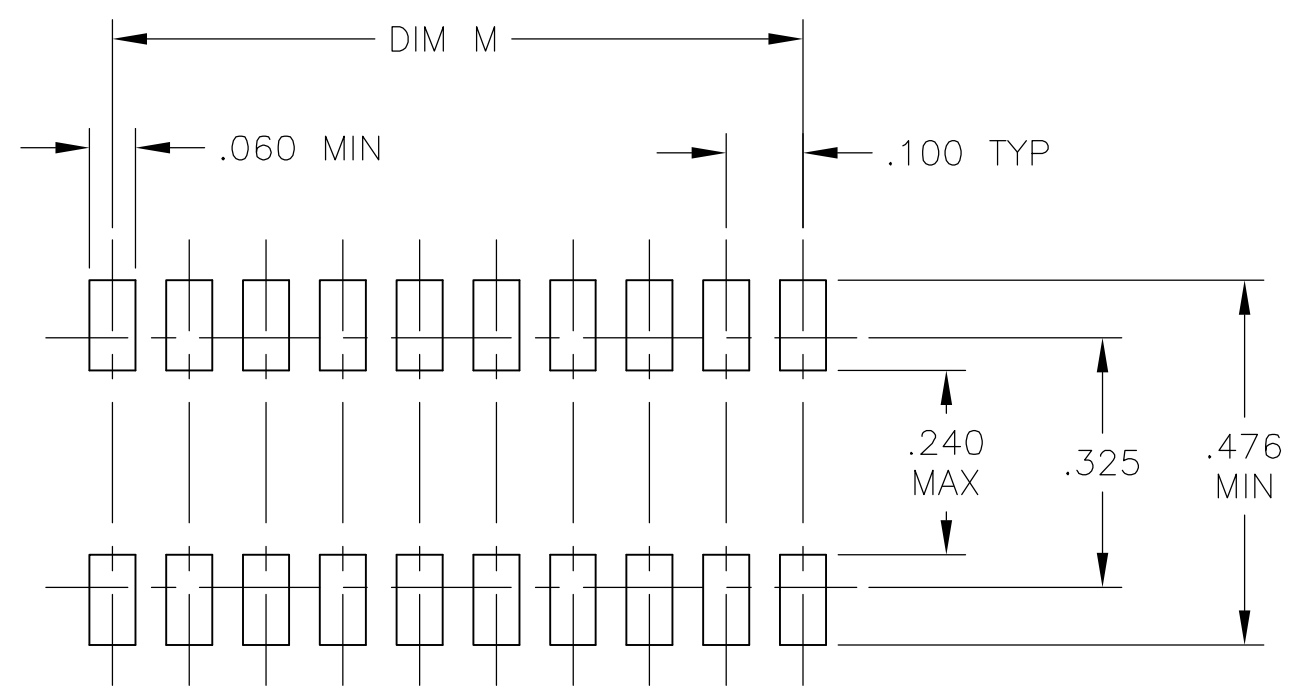
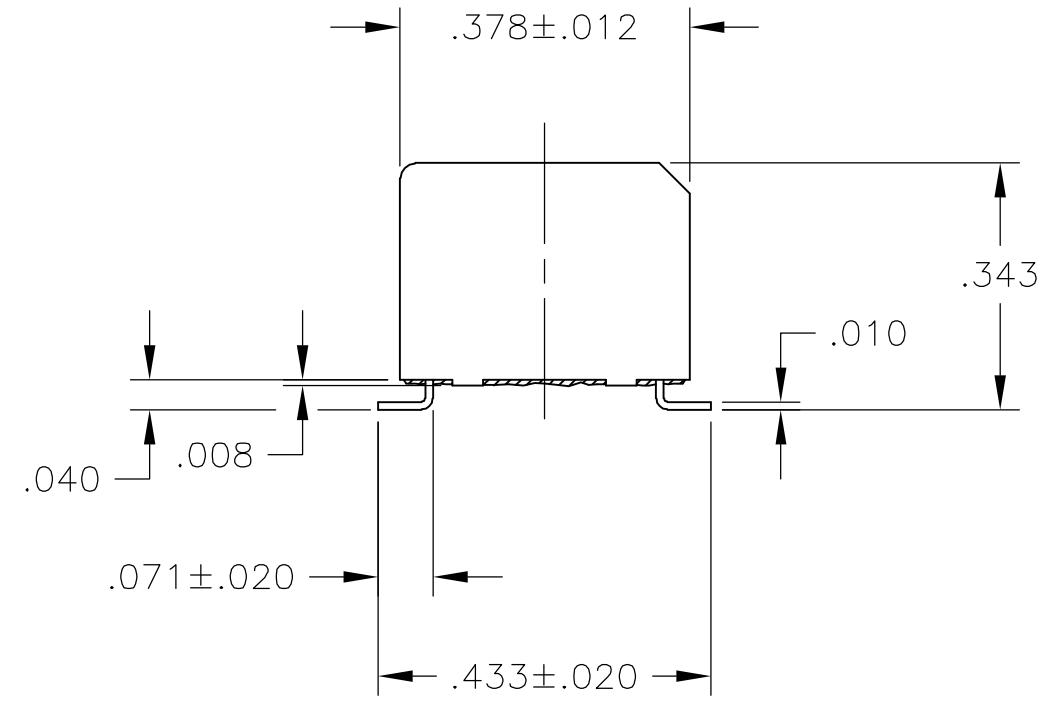
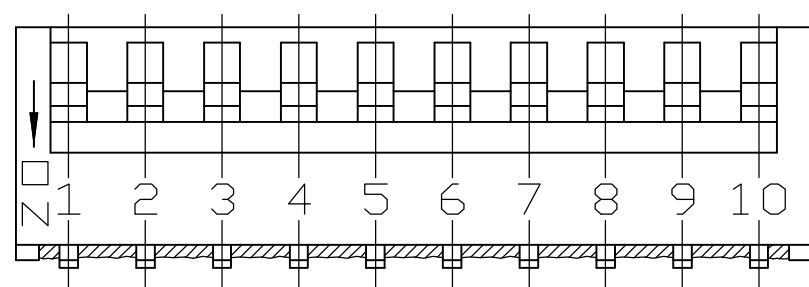
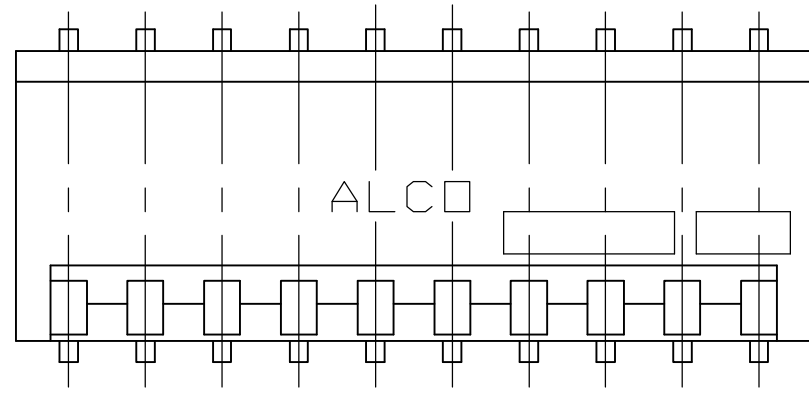
RECOMMENDED BOARD LAYOUT

THRU HOLE VERSION

THIS DRAWING IS A CONTROLLED DOCUMENT.		DWN R BROWN 04JAN2006	Tyco Electronics Corporation Harrisburg, PA																						
DIMENSIONS: INCHES		CHK M SARVER 04JAN2006																							
TOLERANCES UNLESS OTHERWISE SPECIFIED:		APVD M SARVER 04JAN2006	NAME DIP SWITCH ASSEMBLY GDS SERIES																						
<table border="1"> <tr><td>0 PLC</td><td>±</td><td>-</td></tr> <tr><td>1 PLC</td><td>±</td><td>-</td></tr> <tr><td>2 PLC</td><td>±</td><td>-</td></tr> <tr><td>3 PLC</td><td>±</td><td>.010</td></tr> <tr><td>4 PLC</td><td>±</td><td>-</td></tr> <tr><td>ANGLES</td><td>±</td><td>-</td></tr> <tr><td>FINISH</td><td>-</td><td>-</td></tr> </table>		0 PLC	±	-	1 PLC	±	-	2 PLC	±	-	3 PLC	±	.010	4 PLC	±	-	ANGLES	±	-	FINISH	-	-	PRODUCT SPEC APPLICATION SPEC	SIZE A2	CAGE CODE 00779
0 PLC	±	-																							
1 PLC	±	-																							
2 PLC	±	-																							
3 PLC	±	.010																							
4 PLC	±	-																							
ANGLES	±	-																							
FINISH	-	-																							
MATERIAL		WEIGHT -	DRAWING NO C=1571998	RESTRICTED TO -																					
CUSTOMER DRAWING			SCALE 4:1	SHEET 1 OF 2																					
			REV A																						

THIS DRAWING IS UNPUBLISHED. RELEASED FOR PUBLICATION
 © COPYRIGHT BY TYCO ELECTRONICS CORPORATION. ALL RIGHTS RESERVED.

LOC	DIST	REVISIONS			
P	LTR	DESCRIPTION	DATE	DWN	APVD
AD	00	SEE SHEET 1	-	-	-



RECOMMENDED BOARD LAYOUT
 BOARD LAYOUT TOLERANCE
 ±.002 FOR ALL DIMENSIONS

SURFACE MOUNT VERSION

4	SMT	TAPE	0.700	0.838	8	GDP08STR0N04	2-1571998-1
	SMT	TAPE	0.900	1.038	10	GDP10STR04	2-1571998-0
	SMT	TAPE	0.900	1.038	10	GDP10S04	1-1571998-9
	T/H	NONE	0.900	1.038	10	GDP10NTS04	1-1571998-8
	T/H	TAPE	0.900	1.038	10	GDP1004	1-1571998-7
	SMT	TAPE	0.700	0.838	8	GDP08STR04	1-1571998-6
	SMT	TAPE	0.700	0.838	8	GDP08S04	1-1571998-5
	T/H	NONE	0.700	0.838	8	GDP08NTS04	1-1571998-4
	T/H	TAPE	0.700	0.838	8	GDP0804	1-1571998-3
	SMT	TAPE	0.500	0.638	6	GDP06STR04	1-1571998-2
	SMT	TAPE	0.500	0.638	6	GDP06S04	1-1571998-1
	T/H	NONE	0.500	0.638	6	GDP06NTS04	1-1571998-0
	T/H	TAPE	0.500	0.638	6	GDP0604	1571998-9
	SMT	TAPE	0.300	0.438	4	GDP04STR04	1571998-8
	SMT	TAPE	0.300	0.438	4	GDP04S04	1571998-7
	T/H	NONE	0.300	0.438	4	GDP04NTS04	1571998-6
	T/H	TAPE	0.300	0.438	4	GDP0404	1571998-5
	SMT	TAPE	0.100	0.238	2	GDP02STR04	1571998-4
	SMT	TAPE	0.100	0.238	2	GDP02S04	1571998-3
	T/H	NONE	0.100	0.238	2	GDP02NTS04	1571998-2
	T/H	TAPE	0.100	0.238	2	GDP0204	1571998-1
	MTG	SEAL	Dim M	Dim L	Pole	Old T&B P/N	TYCO P/N

THIS DRAWING IS A CONTROLLED DOCUMENT.

DIMENSIONS: INCHES	TOLERANCES UNLESS OTHERWISE SPECIFIED:	DWN R BROWN 04JAN2006	Tyco Electronics Corporation Harrisburg, PA
		CHK M SARVER 04JAN2006	
		APVD M SARVER 04JAN2006	NAME DIP SWITCH ASSEMBLY GDS SERIES
		PRODUCT SPEC	
		APPLICATION SPEC	SIZE A2
MATERIAL	FINISH	WEIGHT	CAGE CODE 00779
			DRAWING NO. C=1571998
			RESTRICTED TO
		CUSTOMER DRAWING	SCALE 4:1 SHEET 2 OF 2 REV A