

**SPECIFICATIONS:**

**MATERIAL:**  
 CASE: PPS 94V-0, BLACK  
 COVER: PPS 94V-0, BLACK  
 ACTUATOR: NYLON PA6T 94V-0, WHITE  
 MOVING CONTACT: COPPER ALLOY, GOLD OVER NICKEL PLATE.  
 FIXED CONTACT/TERMINAL: COPPER ALLOY, GOLD OVER NICKEL PLATE.

**ELECTRICAL:**  
 CONTACT RATING: 1A MAX. (NON-SWITCHING), .1MICROAMP(1MILLIVOLT) MIN  
 (SWITCHING 100mA @ .5V DC-SWITCHING 25mA @ 24V DC-SWITCHING CHANGE  
 INITIAL CONTACT RESISTANCE: 50 MILLIOHMS MAX.  
 INSULATION RESISTANCE: 100 MEGOHMS MIN. @ 100 VDC.  
 DIELECTRIC STRENGTH: 500 VAC. LIFE EXPECTANCY: 1000 CYCLES MIN.

**MECHANICAL:**  
 ACTUATION FORCE: 800g MAX.

**ENVIRONMENTAL:**  
 OPERATING TEMPERATURE: -22°F TO +185°F (-30°C TO +85°C).  
 STORAGE TEMPERATURE: -49°F TO +212°F (-45°C TO +100°C).  
 SOLDER HEAT RESISTANCE TO 509±37.4°F {265±3°C} FOR 8±2 SECONDS.  
 SOLDERABILITY PER JIS C 0050 & JIS C 0053

**NOTES:**

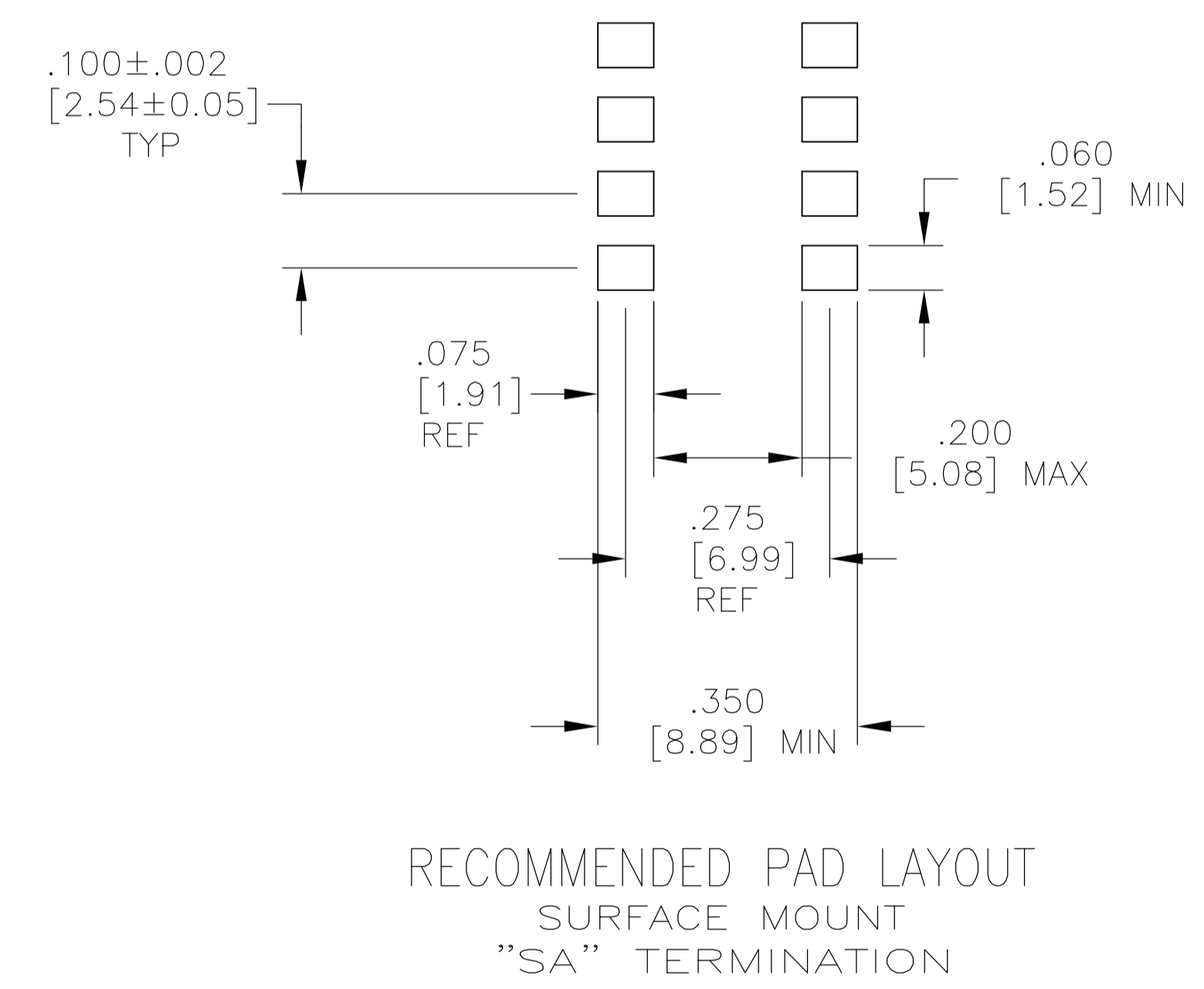
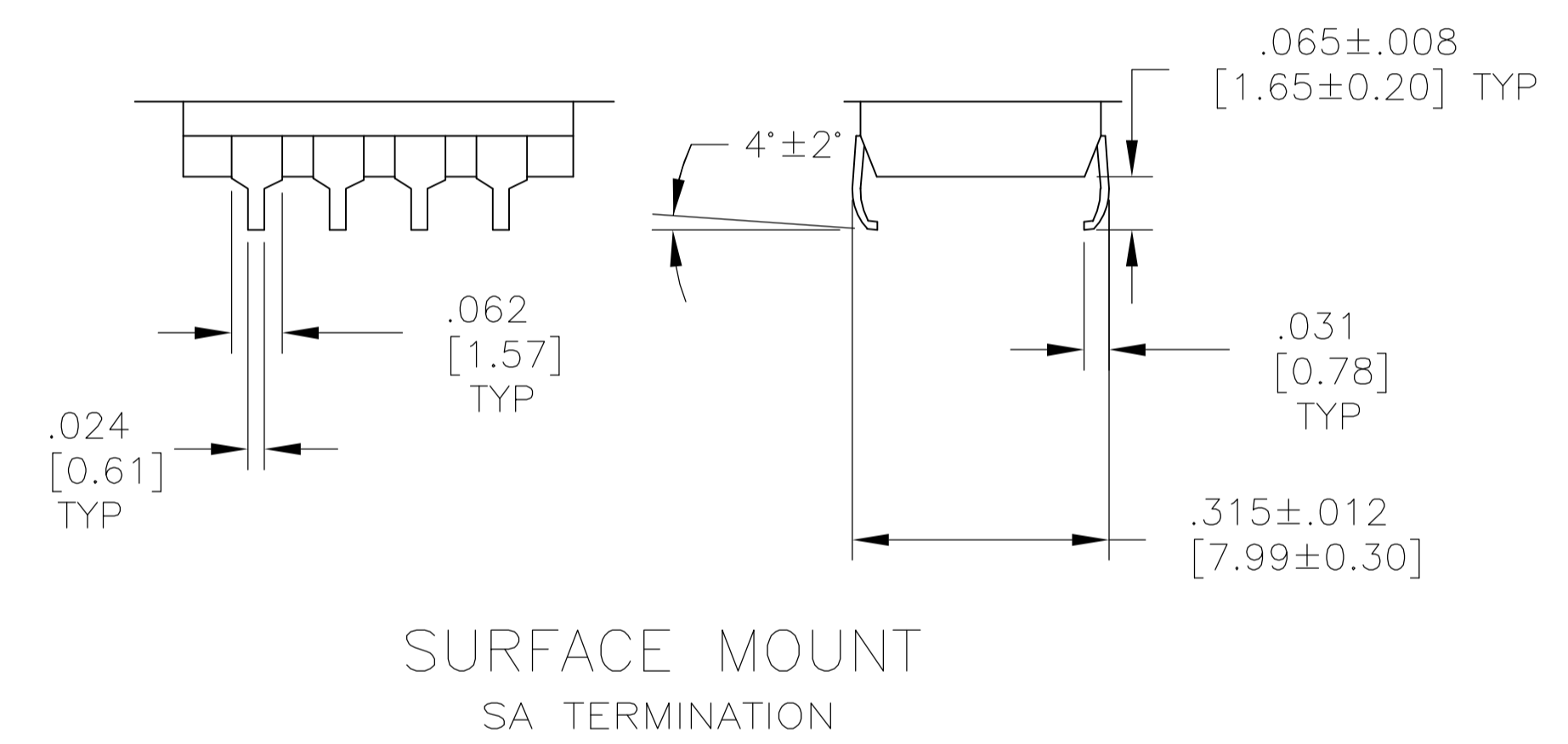
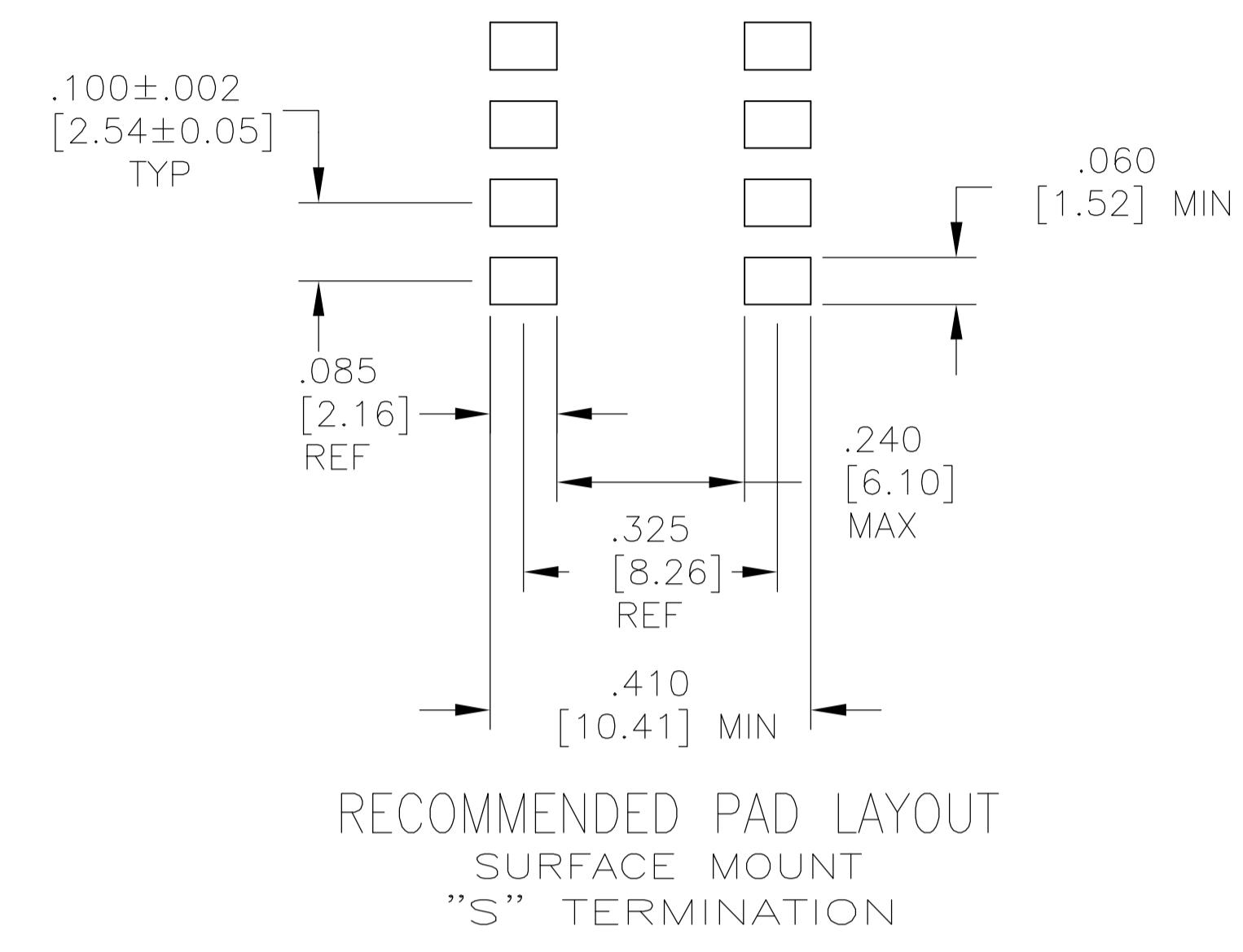
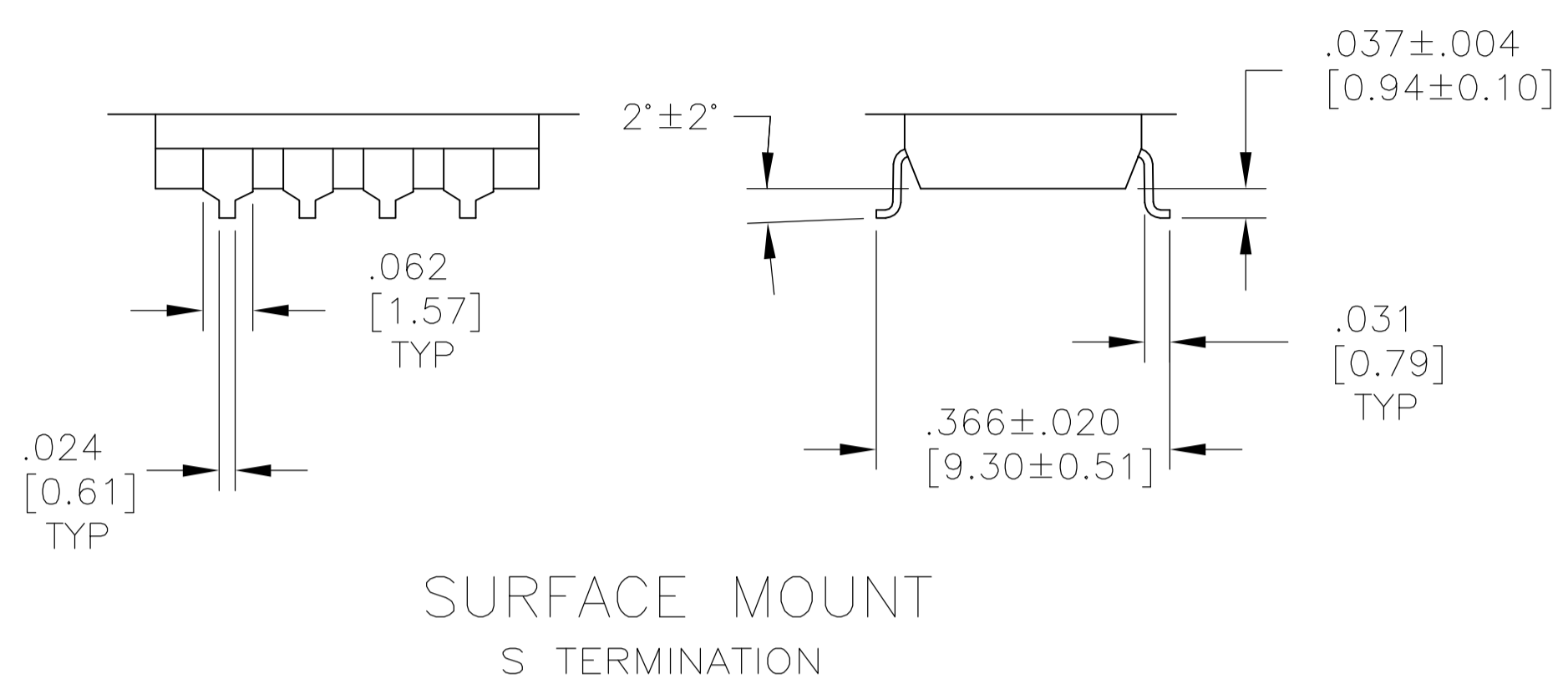
- CONTACT PRESSURE: 280,000 PSI.
- CLEANING: AQUEOUS SOLUTION OR SOLVENT.
- PACKAGING OPTIONS- CLEAR TUBES OR TAPE AND REEL PER EIA-481 SWITCH SUPPLIED IN THE "OFF" POSITION UNLESS "ON" IS SPECIFIED IN THE ALCO PART NUMBER (SEE PART NUMBER TABLE FOR ALL OPTIONS)
- TOP & FRONT SURFACES TO BE CLEARLY MARKED AS SHOWN.
- SWITCHES TO BE BLACK WITH WHITE ACTUATORS AND MARKINGS.
- ALL MATERIAL AND FINISHES SHALL COMPLY WITH EU DIRECTIVE 2002/95/EC OF 27JAN2003 (ROHS)

SEE SHEET 2 FOR SURFACE MOUNT OPTIONS AND DIMENSIONS.

DESCRIPTION	QTY	QTY	QTY	QTY	QTY
DESCRIPTION	QTY	QTY	QTY	QTY	QTY
TUBE	10	1.078 [27.38]	ADPA10SA04	6-1571999-4	
TUBE	10	1.078 [27.38]	ADPA10S04	6-1571999-3	
TUBE	10	1.078 [27.38]	ADPA1004	6-1571999-2	
TUBE	9	.978 [24.84]	ADPA09SA04	6-1571999-1	
TUBE	9	.978 [24.84]	ADPA09S04	6-1571999-0	
TUBE	9	.978 [24.84]	ADPA0904	5-1571999-9	
TUBE	8	.878 [22.30]	ADPA08SA04	5-1571999-8	
TUBE	8	.878 [22.30]	ADPA08S04	5-1571999-7	
TUBE	8	.878 [22.30]	ADPA0804	5-1571999-6	
TUBE	7	.778 [19.76]	ADPA07SA04	5-1571999-5	
TUBE	7	.778 [19.76]	ADPA07S04	5-1571999-4	
TUBE	7	.778 [19.76]	ADPA0704	5-1571999-3	
TUBE	6	.678 [17.22]	ADPA06SA04	5-1571999-2	
TUBE	6	.678 [17.22]	ADPA06S04	5-1571999-1	
TUBE	6	.678 [17.22]	ADPA0604	5-1571999-0	
TUBE	5	.578 [14.68]	ADPA05SA04	4-1571999-9	
TUBE	5	.578 [14.68]	ADPA05S04	4-1571999-8	
TUBE	5	.578 [14.68]	ADPA0504	4-1571999-7	
TUBE	4	.478 [12.14]	ADPA04SA04	4-1571999-6	
TUBE	4	.478 [12.14]	ADPA04S04	4-1571999-5	
TUBE	4	.478 [12.14]	ADPA0404	4-1571999-4	
TUBE	2	.278 [7.06]	ADPA02SA04	4-1571999-3	
TUBE	2	.278 [7.06]	ADPA02S04	4-1571999-2	
TUBE	2	.278 [7.06]	ADPA0204	4-1571999-1	
OBSOLETE TAPE & REEL SWITCH ON	10	1.078 [27.38]	ADP10STR04	4-1571999-0	
TAPE & REEL	10	1.078 [27.38]	ADP10STR04	3-1571999-9	
TUBE	10	1.078 [27.38]	ADP10SA04	3-1571999-8	
TUBE	10	1.078 [27.38]	ADP10S04	3-1571999-7	
TUBE	10	1.078 [27.38]	ADP1004	3-1571999-6	
OBSOLETE TAPE & REEL SWITCH ON	9	.978 [24.84]	ADP09STR04	3-1571999-5	
TAPE & REEL	9	.978 [24.84]	ADP09STR04	3-1571999-4	
TUBE	9	.978 [24.84]	ADP09SA04	3-1571999-3	
TUBE	9	.978 [24.84]	ADP09S04	3-1571999-2	
TUBE	9	.978 [24.84]	ADP0904	3-1571999-1	
OBSOLETE TAPE & REEL SWITCH ON	8	.878 [22.30]	ADP08STR04	3-1571999-0	
TAPE & REEL	8	.878 [22.30]	ADP08STR04	2-1571999-9	
TUBE	8	.878 [22.30]	ADP08SA04	2-1571999-8	
TUBE	8	.878 [22.30]	ADP08S04	2-1571999-7	
TUBE	8	.878 [22.30]	ADP0804	2-1571999-6	
OBSOLETE TAPE & REEL SWITCH ON	7	.778 [19.76]	ADP07STR04	2-1571999-5	
TAPE & REEL	7	.778 [19.76]	ADP07STR04	2-1571999-4	
TUBE	7	.778 [19.76]	ADP07SA04	2-1571999-3	
TUBE	7	.778 [19.76]	ADP07S04	2-1571999-2	
TUBE	7	.778 [19.76]	ADP0704	2-1571999-1	
OBSOLETE TAPE & REEL SWITCH ON	6	.678 [17.22]	ADP06STR04	2-1571999-0	
TAPE & REEL	6	.678 [17.22]	ADP06STR04	1-1571999-9	
TUBE	6	.678 [17.22]	ADP06SA04	1-1571999-8	
TUBE	6	.678 [17.22]	ADP06S04	1-1571999-7	
TUBE	6	.678 [17.22]	ADP0604	1-1571999-6	
OBSOLETE TAPE & REEL SWITCH ON	5	.578 [14.68]	ADP05STR04	1-1571999-5	
TAPE & REEL	5	.578 [14.68]	ADP05STR04	1-1571999-4	
TUBE	5	.578 [14.68]	ADP05SA04	1-1571999-3	
TUBE	5	.578 [14.68]	ADP05S04	1-1571999-2	
TUBE	5	.578 [14.68]	ADP0504	1-1571999-1	
OBSOLETE TAPE & REEL SWITCH ON	4	.478 [12.14]	ADP04STR04	1-1571999-0	
TAPE & REEL	4	.478 [12.14]	ADP04STR04	1571999-9	
TUBE	4	.478 [12.14]	ADP04SA04	1571999-8	
TUBE	4	.478 [12.14]	ADP04S04	1571999-7	
TUBE	4	.478 [12.14]	ADP0404	1571999-6	
OBSOLETE TAPE & REEL SWITCH ON	2	.278 [7.06]	ADP02STR04	1571999-5	
TAPE & REEL	2	.278 [7.06]	ADP02STR04	1571999-4	
TUBE	2	.278 [7.06]	ADP02SA04	1571999-3	
TUBE	2	.278 [7.06]	ADP02S04	1571999-2	
TUBE	2	.278 [7.06]	ADP0204	1571999-1	
PACKAGING	Pole	Dim L	Old T&B P/N	TYCO P/N	

THIS DRAWING IS A CONTROLLED DOCUMENT.

DIMENSIONS: INCHES [mm]	TOLERANCES UNLESS OTHERWISE SPECIFIED:	DIN M. BINNER 14FEB05	tyco Tyco Electronics Corporation
0 PLC ± .01	1 PLC ± .01	CHK M. SARVER 15FEB05	Harrisburg, Pa 17105-3608
2 PLC ± .01	3 PLC ± .01	APVD M. SARVER 15FEB05	NAME
4 PLC ± .01	ANGLES ± 1'	PRODUCT SPEC	DIP SWITCH ASSEMBLY
MATERIAL	FINISH	APPLICATION SPEC	ADP/PA SERIES
		SIZE	00779
		WEIGHT	1571999
		CUSTOMER DRAWING	SCALE 1:1 SHEET 1 OF 2 REV C1



THIS DRAWING IS A CONTROLLED DOCUMENT.		DWG M. BINNER 14FEB05		Tyco Electronics Corporation Harrisburg, Pa 17105-3608	
DIMENSIONS: INCHES [mm]		CHK M. SARVER 15FEB05		NAME DIP SWITCH ASSEMBLY ADP/PA SERIES	
TOLERANCES UNLESS OTHERWISE SPECIFIED:		APVD M. SARVER 15FEB05	PRODUCT SPEC		
0 PLC ± - 1 PLC ± - 2 PLC ± - 3 PLC ± .012(0.31) 4 PLC ± - ANGLES ± ± 1°		APPLICATION SPEC		RESTRICTED TO	
MATERIAL		WEIGHT		SIZE A1 00779 C=1571999	
FINISH		CUSTOMER DRAWING		SCALE 1:1 SHEET 2 OF 2 REV C1	