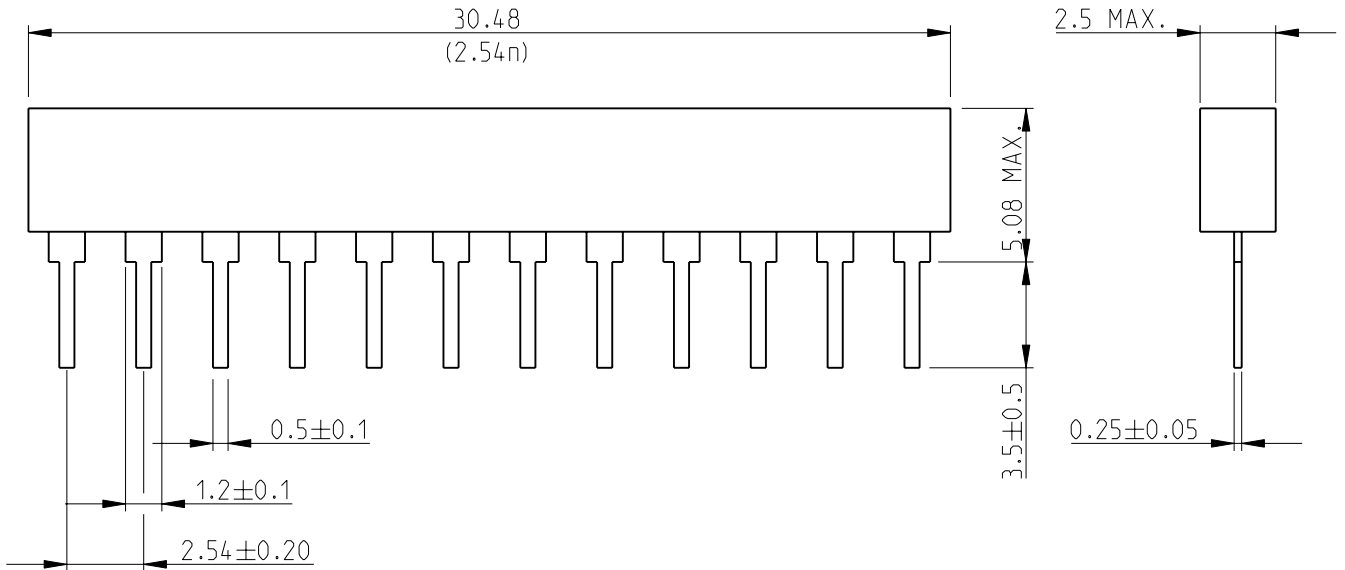
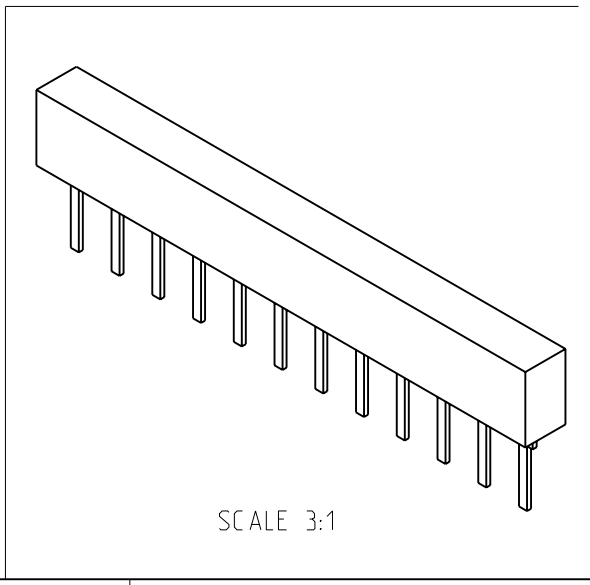


LOC	DIST	REVISIONS					
E	B	P	LTR	DESCRIPTION	DATE	DWN	APVD
		BA		NEW RELEASE	22-OCT-09	MRS	St.P



RoHS Compliant



- n = NUMBER OF PINS
- FOR FURTHER INFORMATION SEE DATA SHEET FOR SERIES SIL, GENERAL PURPOSE RESISTOR NETWORKS

2009  
 RELEASED FOR PUBLICATION  
 BY TYCO ELECTRONICS CORPORATION. ALL RIGHTS RESERVED.  
 COPYRIGHT 2009

DIMENSIONS:	DWN	22-OCT-09	MATERIAL	FINISH		
mm	MAHARUDRA		-	-		
TOLERANCES UNLESS OTHERWISE SPECIFIED:	CHK	22-OCT-09	Tyco Electronics Corporation Dorcan, Swindon, SN3 5HH			
	ALLAN.P					
0 PLC ±0.2	APVD	22-OCT-09	NAME GENERAL PURPOSE RESISTOR NETWORKS SIL12 RESISTOR NETWORKS			
1 PLC ±0.1	STEPHEN.P					
2 PLC ±	PRODUCT SPEC		SIZE	CAGE CODE	DRAWING NO	RESTRICTED TO
3 PLC ±-	-		A 4	00779	©-1622810	-
4 PLC ±-	APPLICATION SPEC		CUSTOMER DRAWING			
ANGLES ±5°	-		SCALE	SHEET	OF	REV
	WEIGHT	-	4:1	1	1	BA