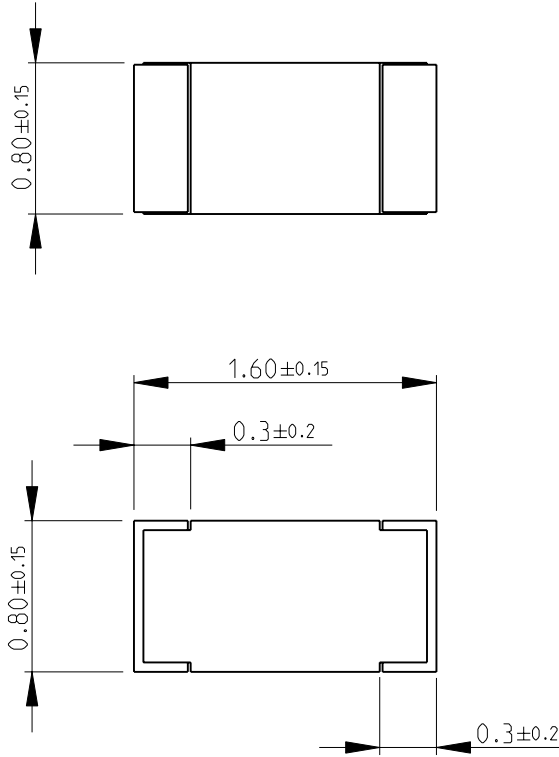
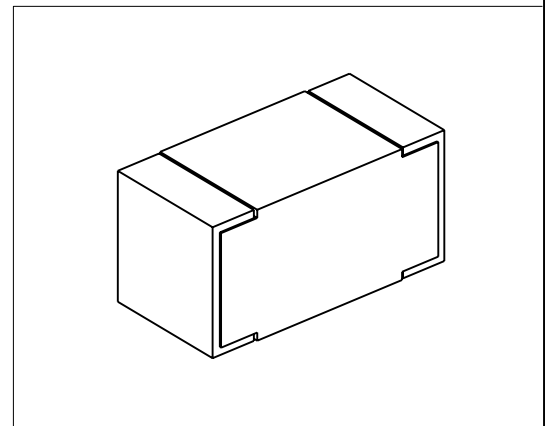


LOC	DIST	REVISIONS					
E	B	P	LTR	DESCRIPTION	DATE	DWN	APVD
			BA	NEW RELEASE	14-NOV-08	SM	St.P

- 1 PACKAGING: 4000 PIECES PER REEL
- 2 FOR FURTHER INFORMATION SEE DATA SHEET FOR 3670 SERIES-HIGH FREQUENCY INDUCTORS SMD



RoHS Compliant



2008

RELEASED FOR PUBLICATION

THIS DRAWING IS UNPUBLISHED.

© COPYRIGHT 2008 BY TYCO ELECTRONICS CORPORATION. ALL RIGHTS RESERVED.

DIMENSIONS: mm	DWN	14-NOV-08	MATERIAL	-	FINISH	-
	SUBHASH.M					
TOLERANCES UNLESS OTHERWISE SPECIFIED:	CHK	14-NOV-08	Tyco Electronics Corporation Dorcan, Swindon, SN3 5HH			
	PRAKASH.S					
0 PLC ±0.2 1 PLC ±0.1 2 PLC ± 3 PLC ± 4 PLC ± ANGLES ±5°	APVD	14-NOV-08	NAME HIGH FREQUENCY INDUCTORS SMD SERIES 3670 0603			
	STEPHEN.P					
	PRODUCT SPEC	-	SIZE	A 4	CAGE CODE	00779
	APPLICATION SPEC	-	DRAWING NO	C= 1624114		RESTRICTED TO
	WEIGHT	-	CUSTOMER DRAWING		SCALE	25:1
			SHEET		1	OF 1
			REV		BA	