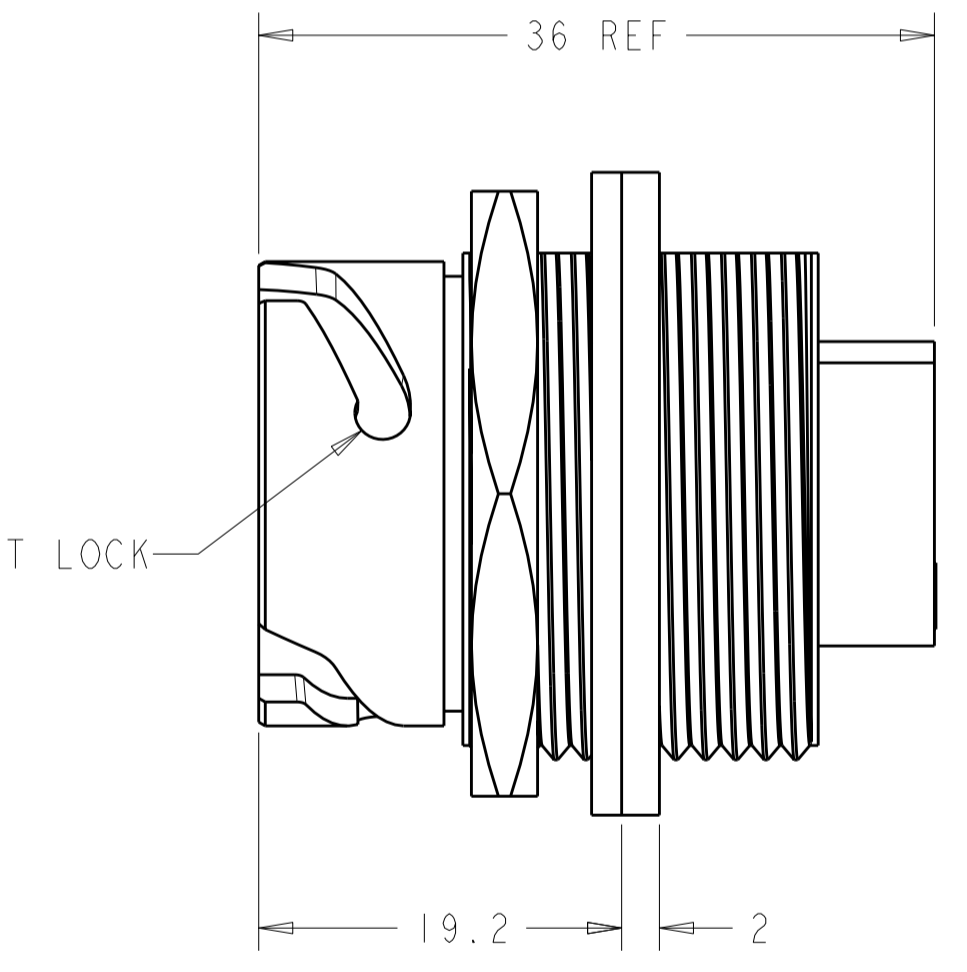
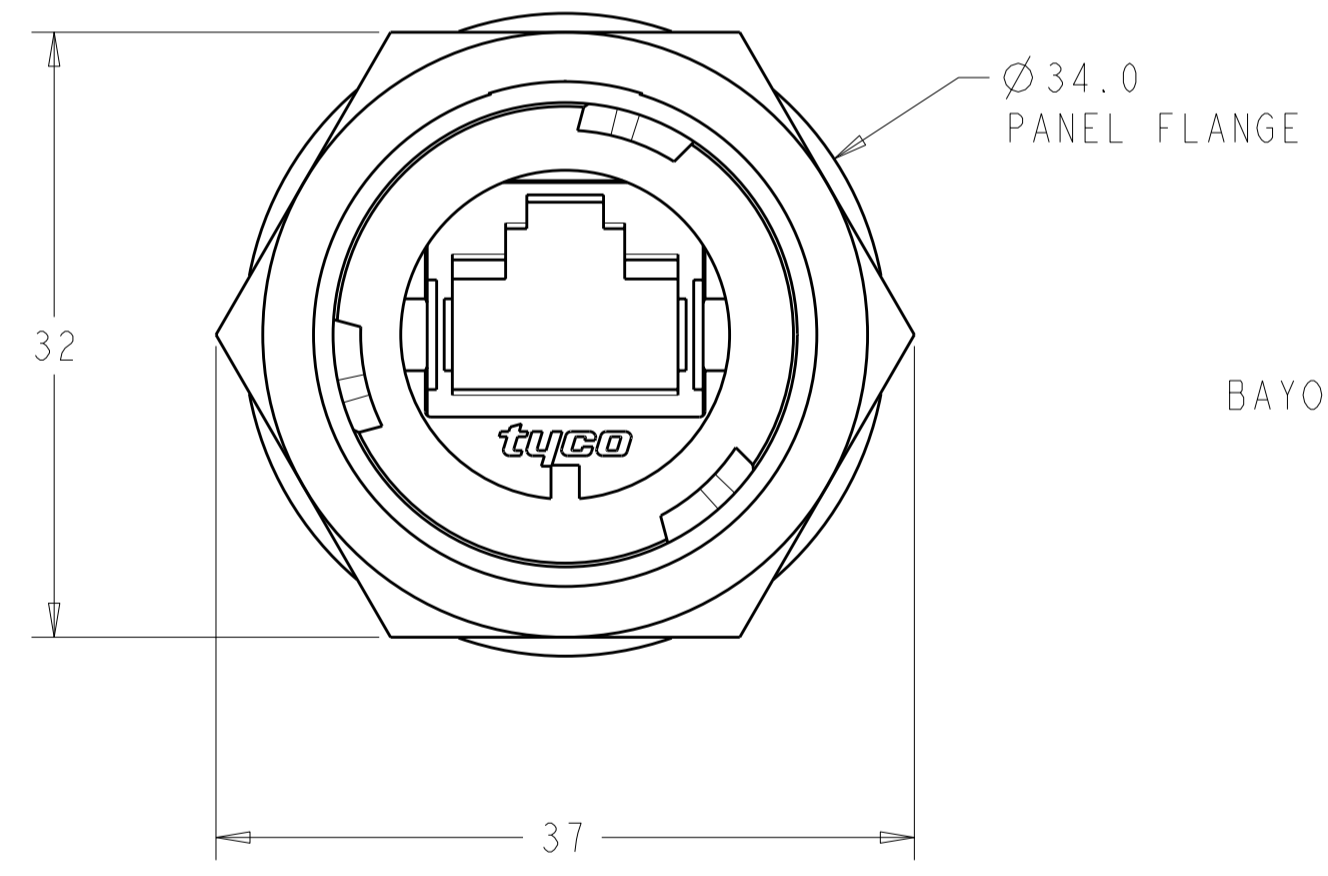
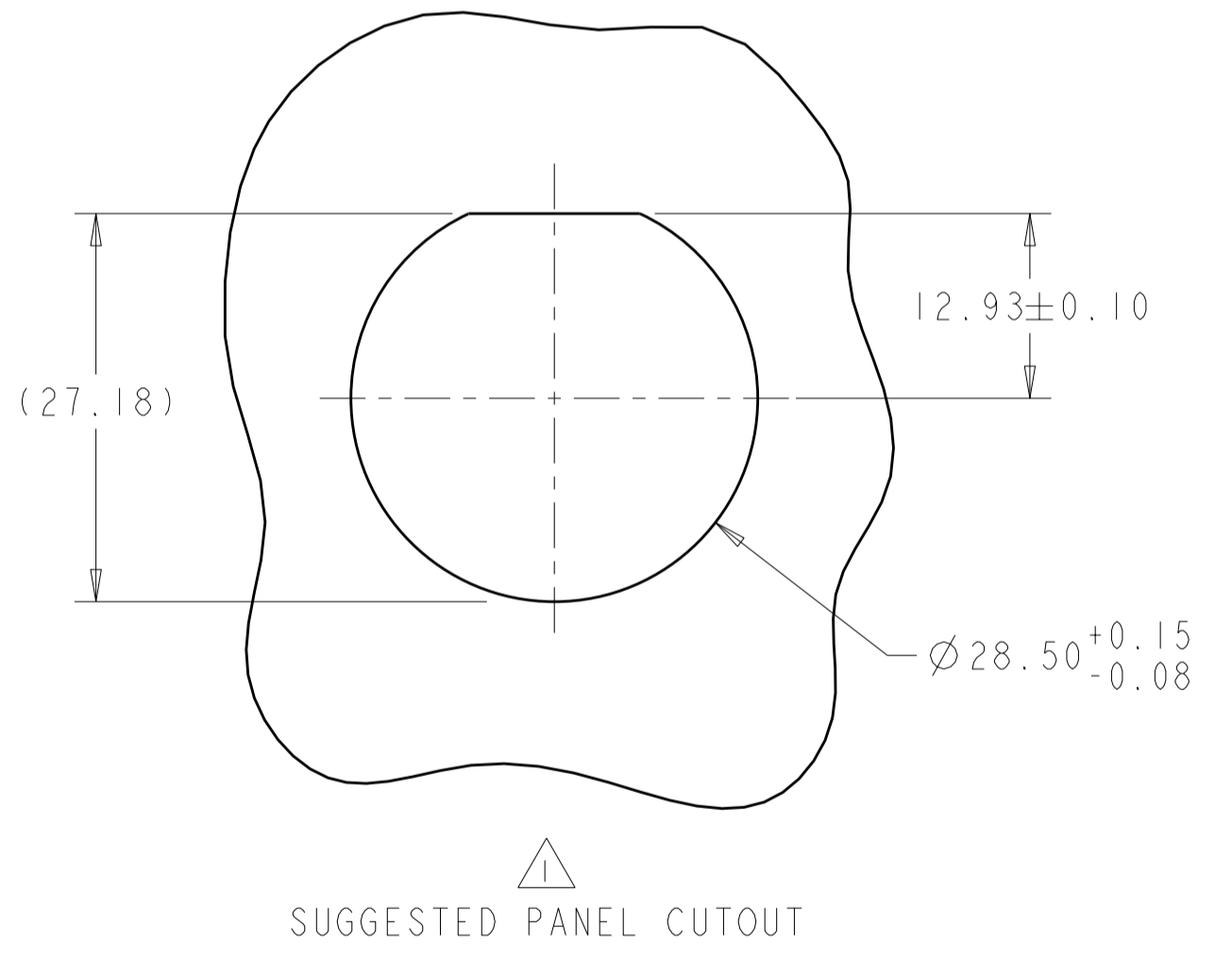
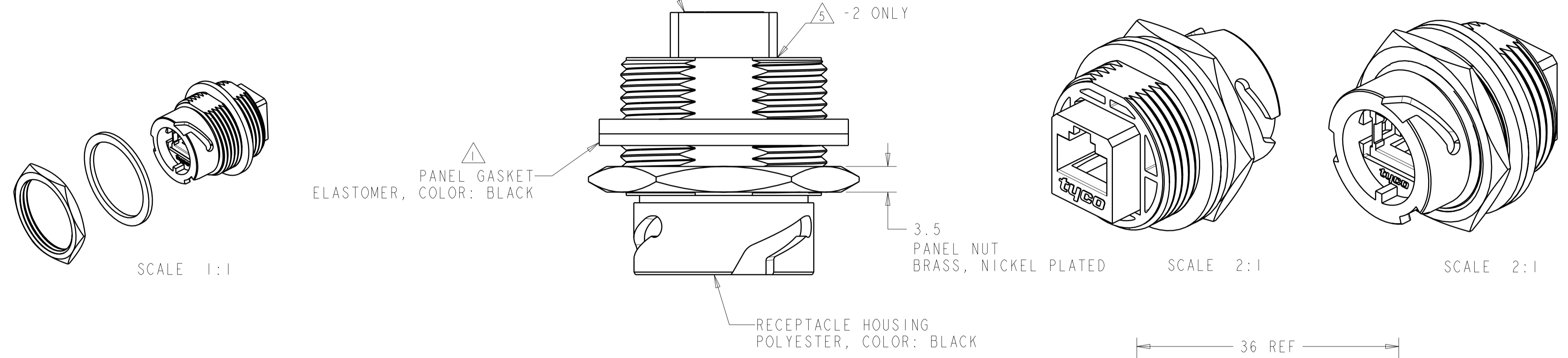


THIS DRAWING IS UNPUBLISHED. RELEASED FOR PUBLICATION 20
 © COPYRIGHT 20 BY TYCO ELECTRONICS CORPORATION. ALL RIGHTS RESERVED.

LOC		DIST		REVISIONS			
P	LTR	DESCRIPTION	DATE	DWN	APVD		
	A	RELEASED	17JUN05	DF	SH		
	B	REVISED ECO-06-024003	12OCT2006	SW	DC		
-	-	-	-	-	-		
-	-	-	-	-	-		

CAT 5e COUPLER
 RJ-45, 8 POSITION
 HOUSING: THERMOPLASTIC
 CONTACTS: PHOSPHOR BRONZE, GOLD OVER NICKEL



- 1 CONNECTOR MAY BE FRONT OR REAR MOUNTED TO A MAXIMUM PANEL THICKNESS OF 3.2 mm.
- 2. COUPLER LINES CROSSOVER BETWEEN PORTS.
- 3. THIS PRODUCT HAS NOT COMPLETED VALIDATION TESTING.
- 4. PANEL NUT AND PANEL GASKET ARE PACKAGED UNASSEMBLED IN POLYBAG.
- 5 COUPLER BONDED TO HOUSING BY ADHESIVE ALONG EDGE WHERE COUPLER MEETS HOUSING, SEE TABLE.

5	1738601-2
NO	1738601-1
COUPLER BONDED	PART NUMBER

THIS DRAWING IS A CONTROLLED DOCUMENT FOR TYCO ELECTRONICS CORPORATION. IT IS SUBJECT TO CHANGE AND THE CONTROLLING ENGINEERING ORGANIZATION SHOULD BE CONTACTED FOR THE LATEST REVISION.		DWN R.L. KOLLER 25MAR04	Tyco Electronics Harrisburg, PA 17105-3608
DIMENSIONS: mm		CHK J. LANDIS 26MAR04	
TOLERANCES UNLESS OTHERWISE SPECIFIED: 0 PLC ±0.3 1 PLC ±0.2 2 PLC ±0.10 3 PLC ± 4 PLC ± ANGLES ±1° FINISH		APVD S. HEADER 17JUN	NAME RECEPTACLE KIT, INDUSTRIAL CIRCULAR ETHERNET CONNECTOR
MATERIAL		PRODUCT SPEC 108-2198	SIZE A2
		APPLICATION SPEC 114-13136	CAGE CODE 00779
		WEIGHT -	DRAWING NO 1738601
		CUSTOMER DRAWING	RESTRICTED TO -
		SCALE 5:2	SHEET 1 OF 1 REV B