

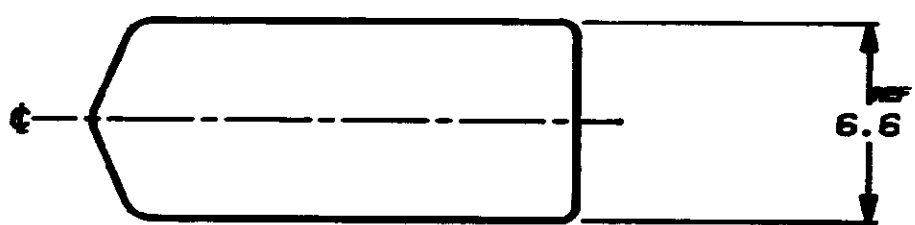
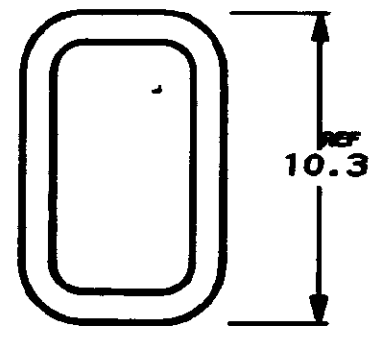
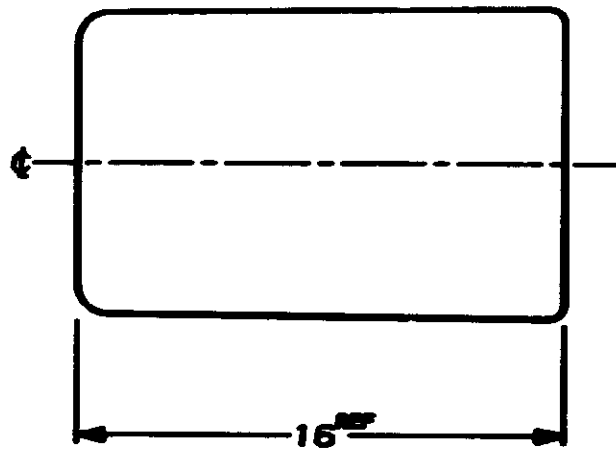
-1: AS SHOWN  
-1: 本図

NUMBER

C-173986



METRIC



NOTE  
1 COLOR : BLACK

注記:  
1 色 : 黒色

DIMENSIONS IN MILLIMETERS. DO NOT SCALE PRINT

PRINT DIST

© 1986 BY AMP (Japan) LTD.  
ALL RIGHTS RESERVED.  
AMP PRODUCTS COVERED BY PATENTS  
AND OR PATENTS PENDING

**AMP**  
AMP (JAPAN), LTD.  
Tokyo, Japan

GENERAL TOLERANCE	WIRE RANGE	INSULATION DIA.
0<math>C</math>K 10 : $\pm 0.2$ 10<math>C</math>K 30 : $\pm 0.25$ 30<math>C</math>K 100 : $\pm 0.3$ ANGLES : $\pm 5^\circ$	mm <sup>2</sup> (AWG - )	mm
	MATERIAL	FINISH
	PVC	---

A	REVISED (J-3253)	CTEY	10/25
O	RELEASED (J-3060)	KTHY	10/27
LTR	REVISION RECORD	DR	CHK DATE

SCALE	SIZE	LOC	NUMBER	REV.	SHEET
4-1	A4	J	C-173986	A	1 OF 1

DR. *E. Takahashi* 6/25/86 DE.  
CHK. *E. Takahashi* 6/25/86 APP. *A. Takahashi*

NAME DUST CAP, FOR DNP ADM  
保護キャップ・DNP ADM用

CUSTOMER DRAWING