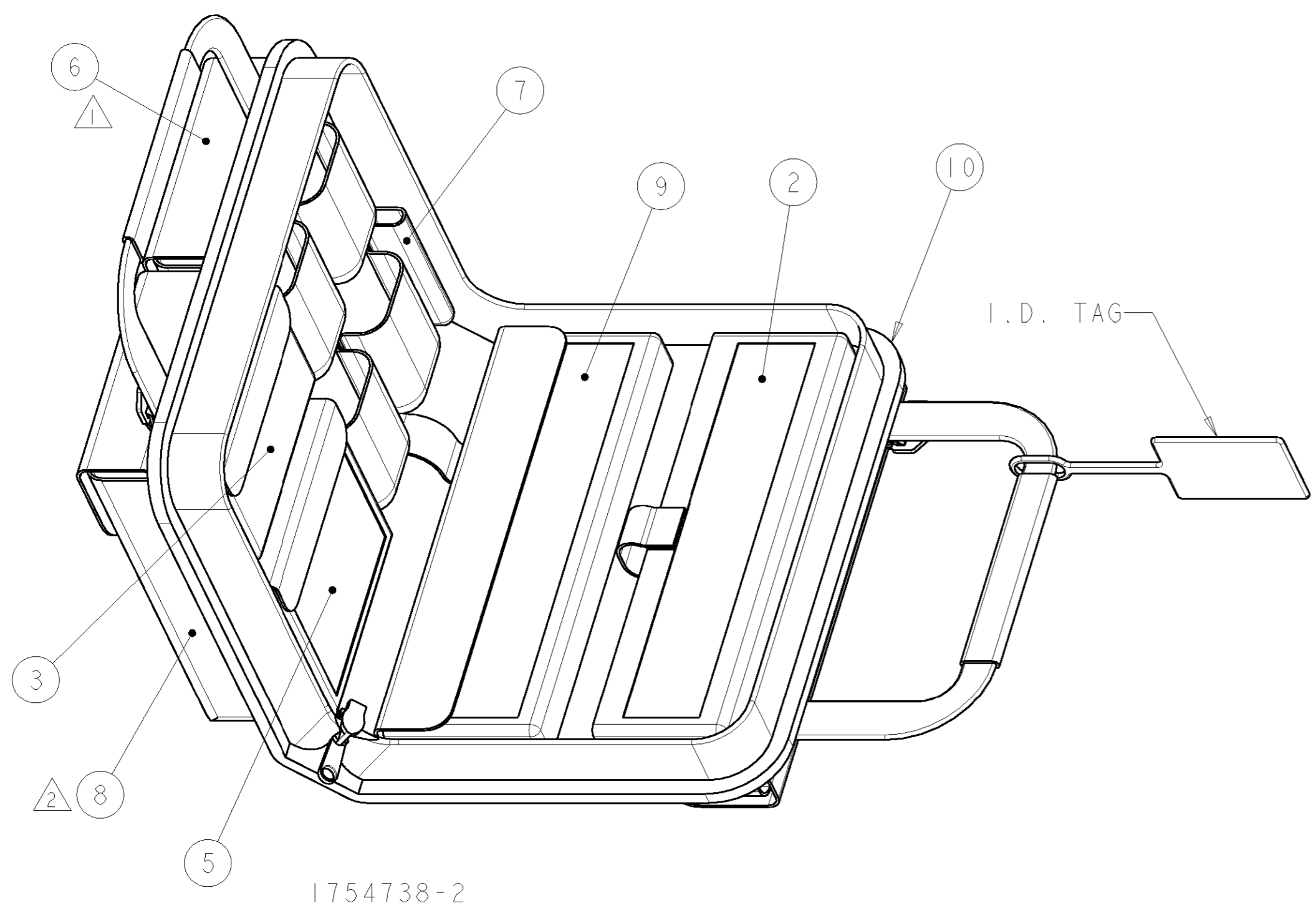


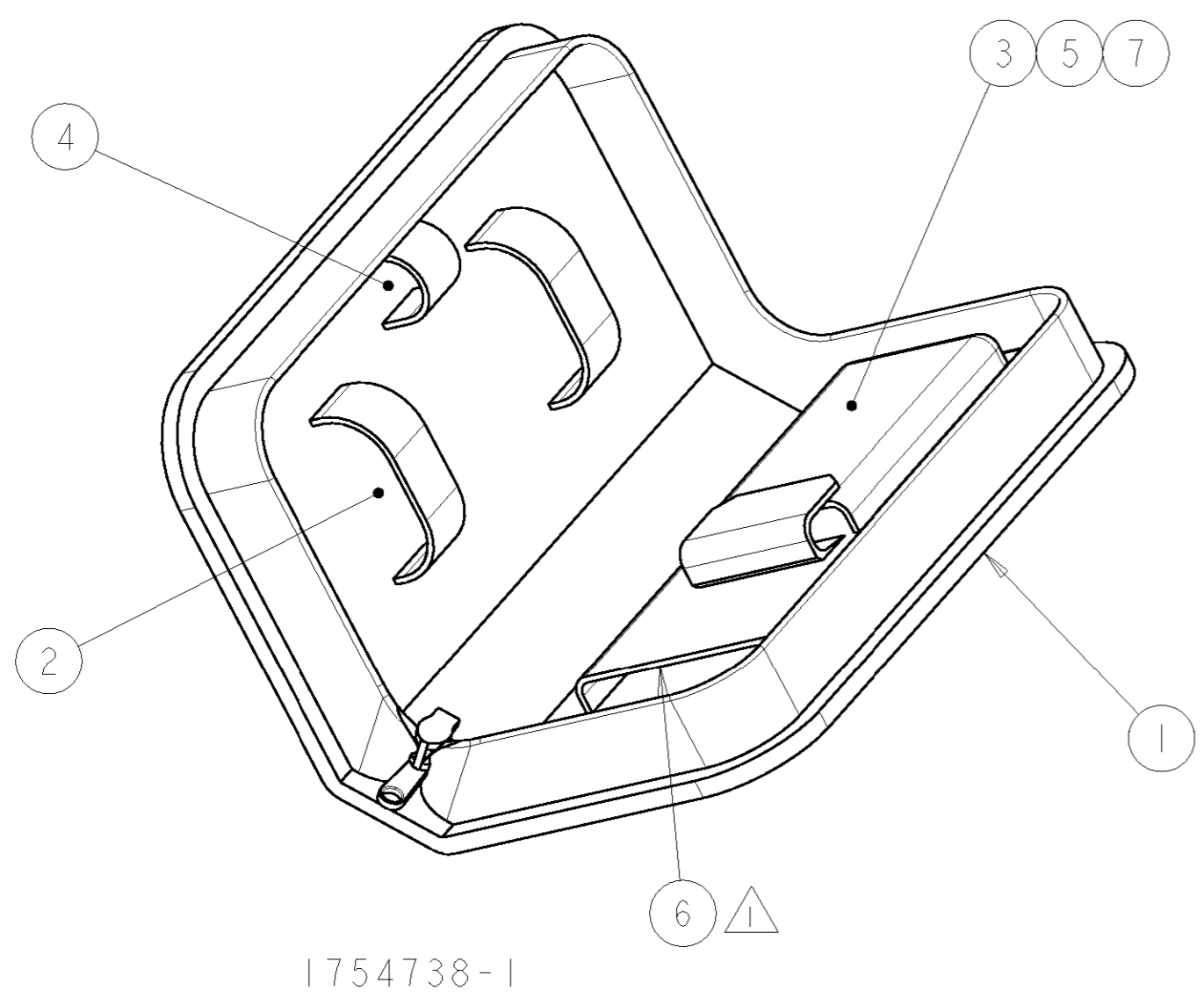
THIS DRAWING IS UNPUBLISHED. RELEASED FOR PUBLICATION 20  
 © COPYRIGHT 20 BY TYCO ELECTRONICS CORPORATION. ALL RIGHTS RESERVED.

LOC	DIST	REVISIONS					
CE	00	P	LTR	DESCRIPTION	DATE	DWN	APVD
		B		REV PER ECR-06-008849	17MAY2006	BB	DK



△ TYCO INSTRUCTION SHEETS AND MANUFACTURER'S INSTRUCTION SHEETS.  
 △ OPTIONAL SHOULDER STRAP.

1754738-2



1754738-1

1	-	1278540-1	PREMIUM SOFTCASE	10
1	-	1754767-1	200x MICROSCOPE	9
1	-	1871696-1	FIBER CLEAVER, SLIDE CUTTER	8
2	2	1278422-1	OPEN END WRENCH	7
1	1	1374503-1	CD ROM, TERMINATION TRAINING	6
1	1	492703-1	CABLE/BUFFER HOLDER, ST	5
-	1	492674-1	CLEAVE TOOL, S-315	4
1	1	492622-1	ST DIESET	3
1	1	58532-2	PROCRIMPER FRAME	2
-	1	492323-1	SOFT CASE	1
-2	-1	PART NUMBER	DESCRIPTION	ITEM NO.

<small>THIS DRAWING IS A CONTROLLED DOCUMENT FOR TYCO ELECTRONICS CORPORATION. IT IS SUBJECT TO CHANGE AND THE CONTROLLING ENGINEERING ORGANIZATION SHOULD BE CONTACTED FOR THE LATEST REVISION.</small>		DWN B. BRIGGS 17MAY2006 CHK D. KIRSCH 17MAY2006 APVD S. BUCHTER 17MAY2006	<b>tyco</b> Electronics Tyco Electronics Harrisburg, PA 17105-3608
DIMENSIONS: mm 	TOLERANCES UNLESS OTHERWISE SPECIFIED: 0 PLC ± 1 PLC ± 2 PLC ± 3 PLC ± 4 PLC ± ANGLES ± FINISH	NAME ADAPTIVE, TERMINATION KIT, LightCrimp Plus ST PRODUCT SPEC - APPLICATION SPEC - WEIGHT -	SIZE A2 CAGE CODE 00779 DRAWING NO. 1754738 RESTRICTED TO -
MATERIAL		CUSTOMER DRAWING	SCALE NTS SHEET 1 OF 1 REV B