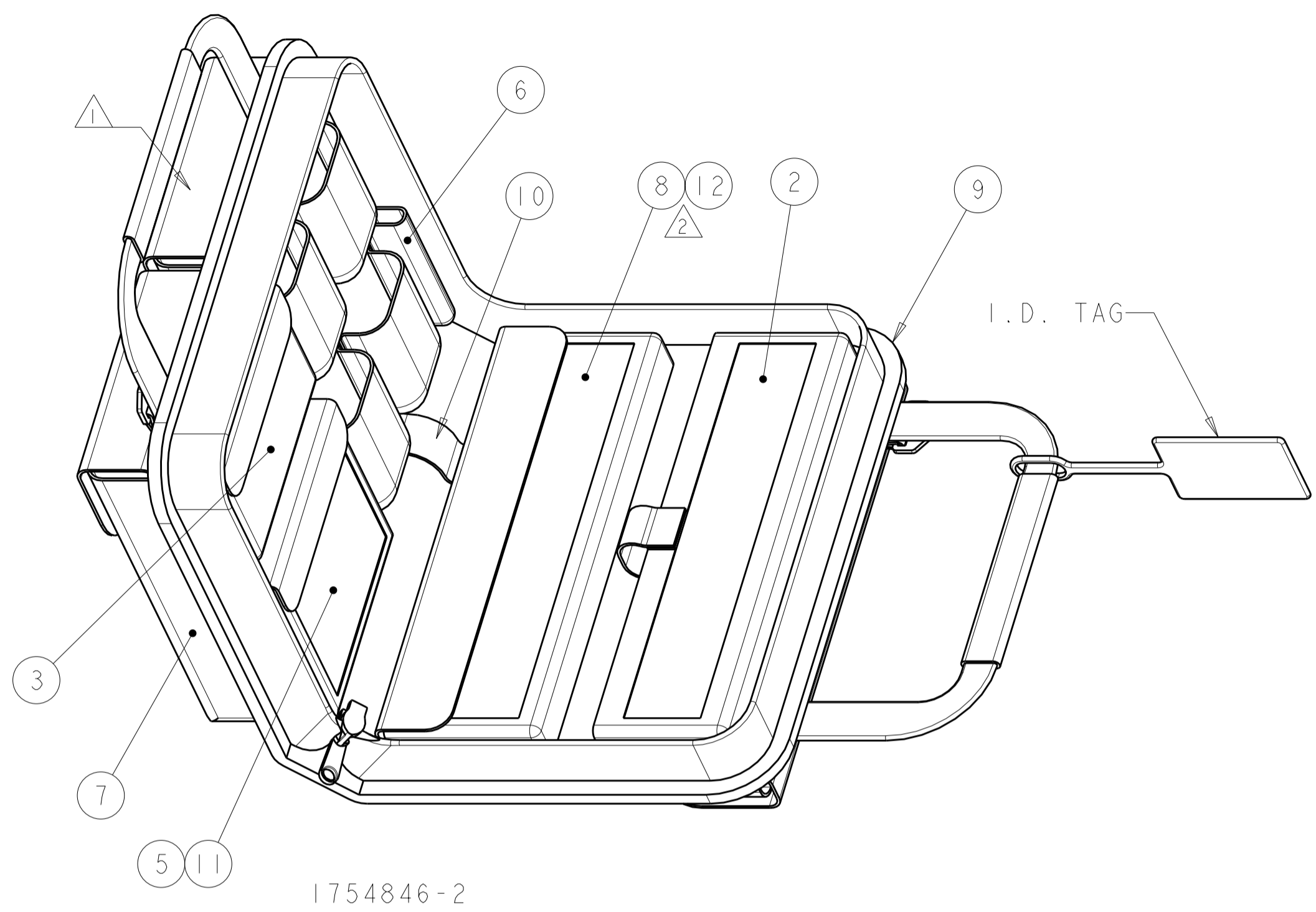


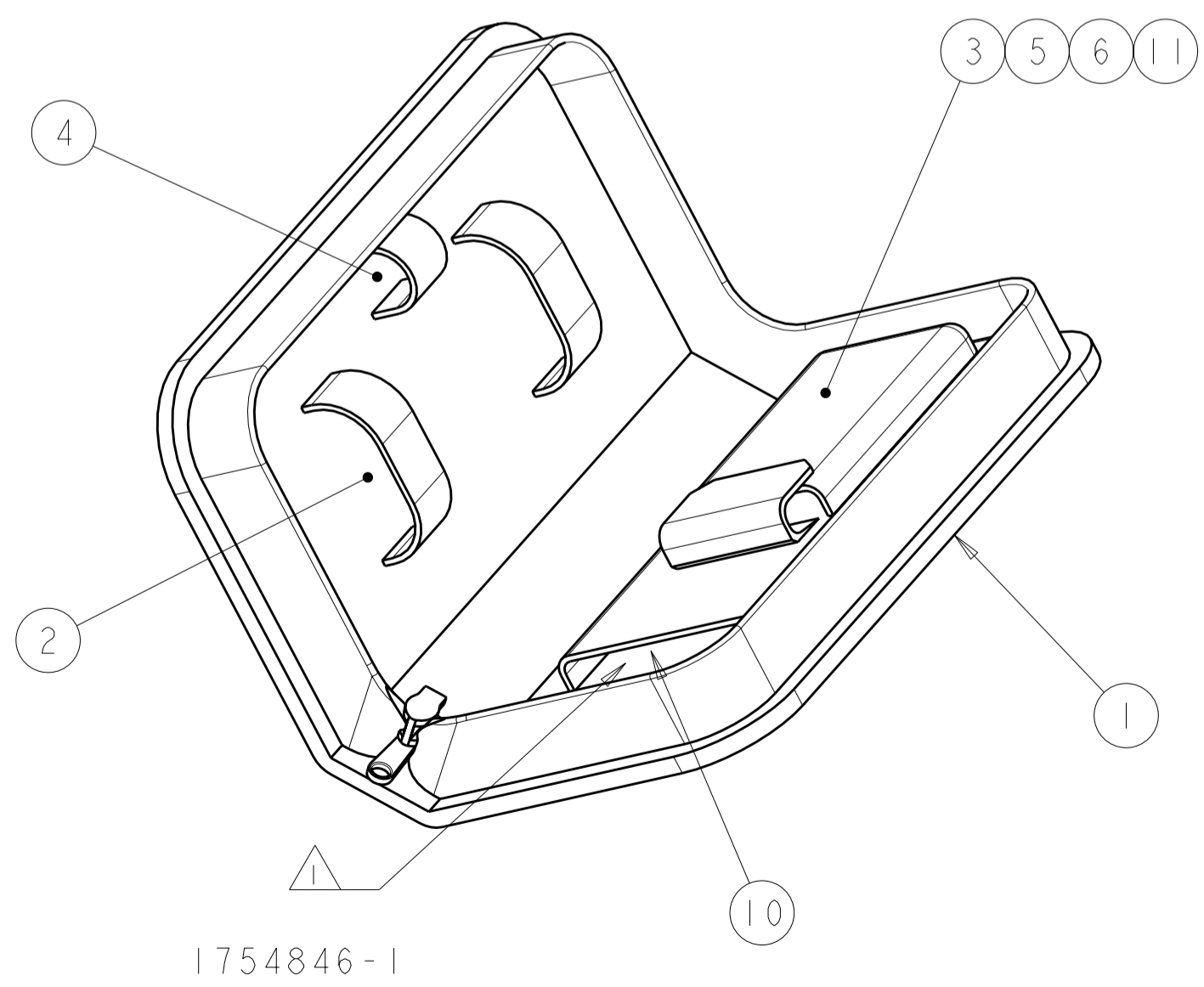
THIS DRAWING IS UNPUBLISHED. RELEASED FOR PUBLICATION 20
 © COPYRIGHT 20 BY TYCO ELECTRONICS CORPORATION. ALL RIGHTS RESERVED.

LOC	DIST	REVISIONS					
CE	00	P	LTR	DESCRIPTION	DATE	DWN	APVD
		C		REV PER ECR-06-008849	17MAY2006	BB	DK
		D		REVISE PER ECR-06-027177	07DEC2006	BB	DK
		E		REVISE PER ECR-07-005849	23APR2007	BB	DK



- 1 MANUFACTURER'S INSTRUCTION SHEETS.
- 2 OPTIONAL SHOULDER STRAP.
- 3. INSTRUCTION SHEETS 408-4020, 408-8925, AND 408-10103 EXPLAIN THE LightCrimp Plus LC TERMINATION TECHNIQUE AND ARE AVAILABLE FOR DOWNLOAD AT www.catalog.tycoelectronics.com.

1754846-2



1754846-1

1	-	1754765-1	MICROSCOPE ADAPTER, 1.25mm	12
1	1	1278625-1	CABLE CLAMP	11
1	1	501014-1	SCISSORS	10
1	-	1278540-1	PREMIUM SOFT CASE	9
1	-	1754767-1	200x MICROSCOPE	8
1	-	1871696-1	FIBER CLEAVER, SLIDE CUTTER	7
2	2	1278422-1	OPEN END WRENCH, 1/4"	6
1	1	1754138-1	CABLE HOLDER ASSY, LC	5
-	1	492674-1	CLEAVE TOOL ASSY	4
1	1	1754136-1	LC DIESET	3
1	1	58532-1	PROCRIMPER FRAME	2
-	1	492323-1	SOFT CASE	1
-2	-1	PART NUMBER	DESCRIPTION	ITEM NO.

<small>THIS DRAWING IS A CONTROLLED DOCUMENT FOR TYCO ELECTRONICS CORPORATION. IT IS SUBJECT TO CHANGE AND THE CONTROLLING ENGINEERING ORGANIZATION SHOULD BE CONTACTED FOR THE LATEST REVISION.</small>		DWN B. BRIGGS 18MAY2006 CHK D. KIRSCH 18MAY2006 APVD S. BUCHTER 18MAY2006	tyco Electronics Tyco Electronics Harrisburg, PA 17105-3608
DIMENSIONS: mm 	TOLERANCES UNLESS OTHERWISE SPECIFIED: 0 PLC ± 1 PLC ± 2 PLC ± 3 PLC ± 4 PLC ± ANGLES ± FINISH	PRODUCT SPEC APPLICATION SPEC WEIGHT	NAME ADAPTIVE TERMINATION KIT, LightCrimp Plus, LC SIZE CAGE CODE DRAWING NO RESTRICTED TO A200779C-1754846 -
MATERIAL		CUSTOMER DRAWING	SCALE NTS SHEET 1 OF 1 REV E