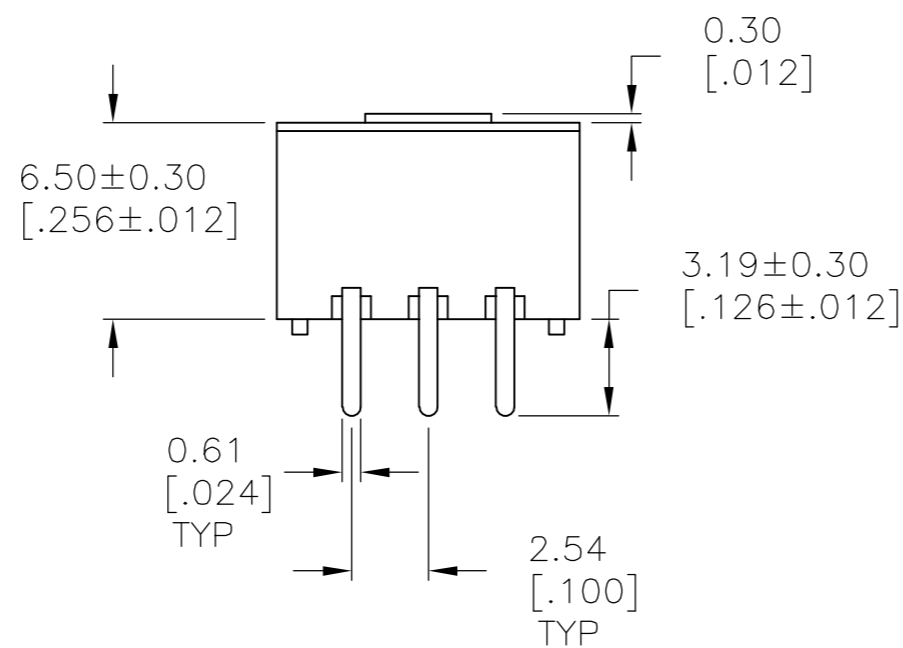
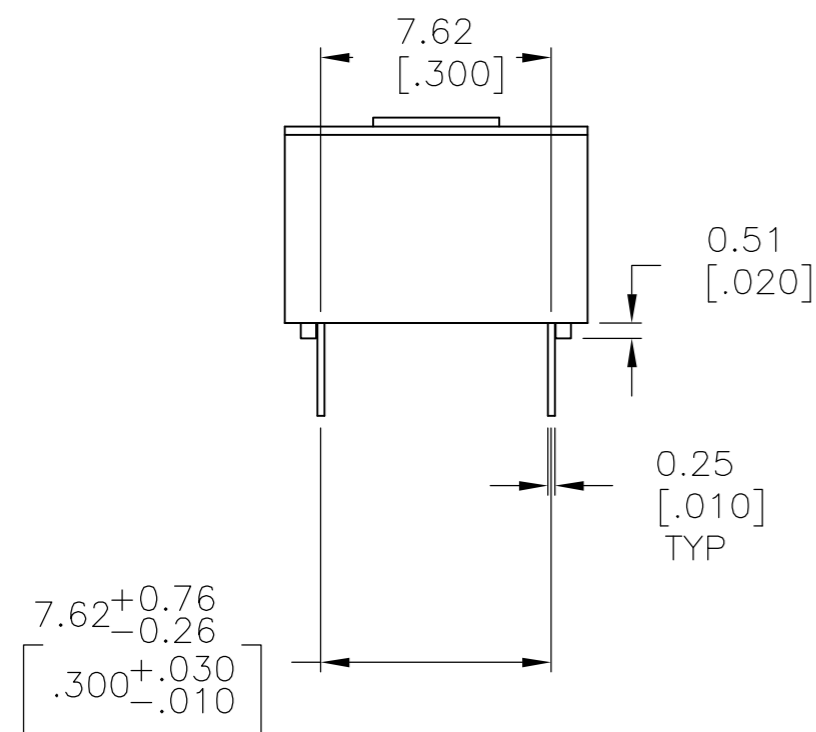
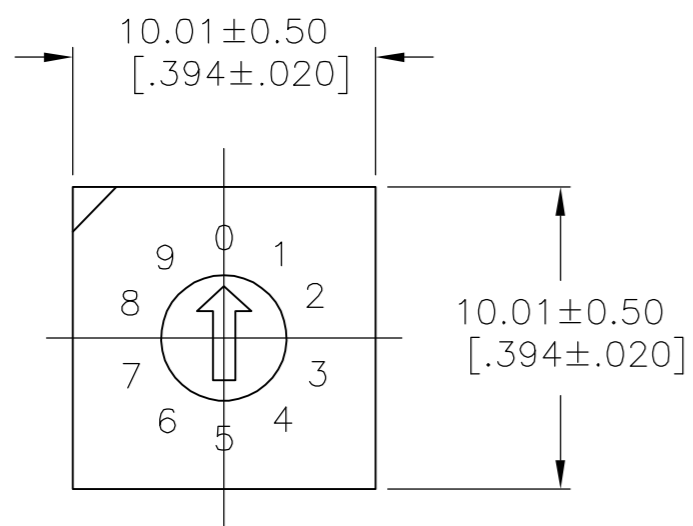


THIS DRAWING IS UNPUBLISHED. RELEASED FOR PUBLICATION
 © COPYRIGHT BY TYCO ELECTRONICS CORPORATION. ALL RIGHTS RESERVED.

Loc	DIST	REVISIONS			
P	LTR	DESCRIPTION	DATE	DWN	APVD
AD	00	A	ECO-07-03889	21FEB07	MB MS



RRD PC MOUNT

SPECIFICATIONS:

MATERIAL:
 BASE AND COVER - PPS UL94V-0, BLACK
 ROTOR - NYLON PA6T UL94V-0, COLOR SEE P/N TABLE.
 MOVING CONTACT - COPPER ALLOY, GOLD FLASH OVER NICKEL.
 FIXED CONTACT - COPPER ALLOY, GOLD FLASH OVER NICKEL.
 TERMINALS - COPPER ALLOY, GOLD FLASH OVER NICKEL.

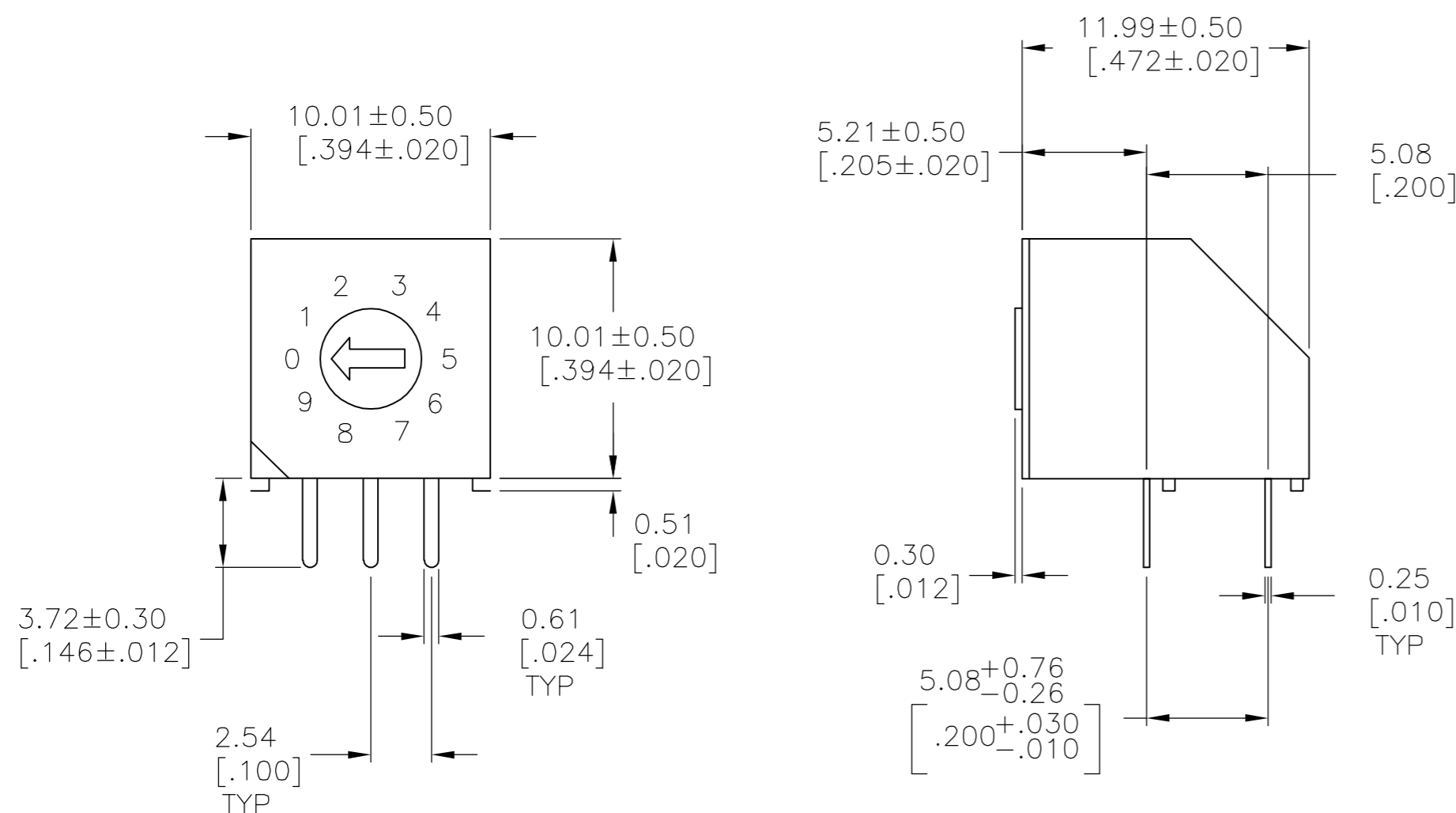
ELECTRICAL:
 CONTACT RATING - 0.4 VA @ 20 VDC OR PEAK AC.
 INITIAL CONTACT RESISTANCE - 50 MILLIOHMS MAX.
 INSULATION RESISTANCE - 1,000 MEGOHMS @ 100 VDC.
 DIELECTRIC STRENGTH - 300 VAC.
 LIFE EXPECTANCY - 10,000 ROTATIONS.

MECHANICAL:
 ACTUATION FORCE - 6 OZ.-IN. (NOM.).

ENVIRONMENTAL:
 OPERATING TEMPERATURE: -22°F TO +185°F (-30°C TO +85°C).
 STORAGE TEMPERATURE: -49°F TO +212°F (-45°C TO +100°C).
 RESISTANCE TO SOLDER HEAT PER 109-202, CONDITION B.
 SOLDERABILITY PER EIA-364-52 CLASS 2, CATEGORY 1.

NOTES:

- 1. RED ROTOR WITH WHITE PRINTING ON TOP AND SIDE OF SWITCH.
- 2. BLACK ROTOR WITH WHITE PRINTING ON TOP AND SIDE OF SWITCH.
- 3. ORANGE ROTOR WITH WHITE PRINTING ON TOP AND SIDE OF SWITCH.
- 4. WHITE ROTOR WITH WHITE PRINTING ON TOP AND SIDE OF SWITCH.
- 5. ALL MATERIALS AND FINISHES SHALL COMPLY WITH EU DIRECTIVE 2002/95/EC OF 27JAN2003(ROHS).



RRD RIGHT ANGLE PC MOUNT

REMARKS	TERMINATION	CIRCUIT TYPE	RESISTOR VALUE	T&B P/N.	TYCO P/N.
4	RIGHT ANGLE	HEXADECIMAL COMPLEMENT	3.3k ohms	RRD16C3.3KRA04	1825444-7
4	PC	HEXADECIMAL COMPLEMENT	3.3k ohms	RRD16C3.3K04	1825444-6
4	RIGHT ANGLE	HEXADECIMAL COMPLEMENT	10k ohms	RRD16C10KRA04	1825444-5
4	PC	HEXADECIMAL COMPLEMENT	10k ohms	RRD16C10K04	1825444-4
2	RIGHT ANGLE	HEXADECIMAL	10k ohms	RRD1610KRA04	1825444-3
2	PC	HEXADECIMAL	10k ohms	RRD1610K04	1825444-2
1	PC	BC DECIMAL	10k ohms	RRD1010K04	1825444-1

THIS DRAWING IS A CONTROLLED DOCUMENT.		DWN	M.BINNER	23OCT06	 Tyco Electronics Corporation Harrisburg, PA 17105-3608
DIMENSIONS: mm [INCHES]		CHK	M.SARVER	23OCT06	
TOLERANCES UNLESS OTHERWISE SPECIFIED:		APVD	M.SARVER	23OCT06	
0 PLC ± - 1 PLC ± - 2 PLC ± 0.25[.010] 3 PLC ± - 4 PLC ± - ANGLES ± 1°		PRODUCT SPEC	NAME		
MATERIAL SEE SPECIFICATIONS		FINISH	-		APPLICATION SPEC
-		WEIGHT	-		SIZE
-		CUSTOMER DRAWING		SCALE	4:1
-		-		SHEET	1 of 2
-		-		REV	A

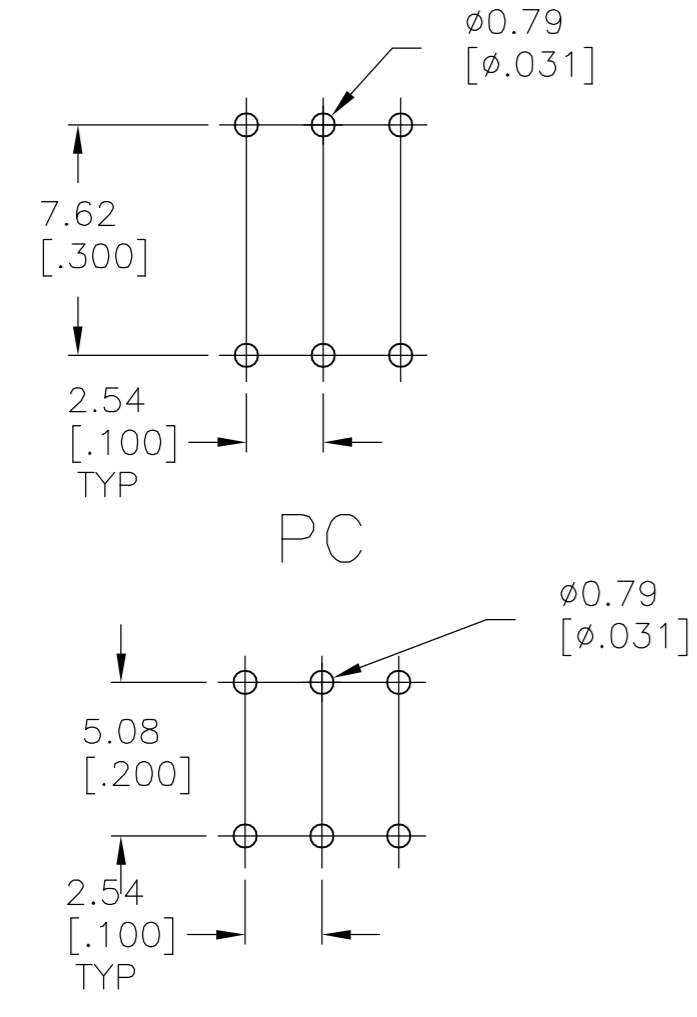
THIS DRAWING IS UNPUBLISHED. RELEASED FOR PUBLICATION
 © COPYRIGHT BY TYCO ELECTRONICS CORPORATION. ALL RIGHTS RESERVED.

LOC	DIST	REVISIONS			
P	LTR	DESCRIPTION	DATE	DWN	APVD
AD	00	SEE SHEET 1	-	-	-

TRUTH TABLES

FOR HYBRID VERSIONS (RR SERIES AND RA/C SERIES),
 COMMON BETWEEN TERMINALS 1 AND 4 IS RESISTOR
 OR DIODE COMMON.
 COMMON BETWEEN TERM 2 AND 8 IS GROUND
 (VIEWED FROM BOTTOM OF SWITCH)

0 8	1 0
0 G	R-CO
0 2	4 0



PC
 PC
 RIGHT ANGLE

RECOMMENDED HOLE LAYOUT
 TOLERANCE ±.002 UNLESS OTHERWISE NOTED

10-POSITION, BCD ¹

POS.	0	1	2	3	4	5	6	7	8	9
0	X	X	X	X	X	X	X	X	X	X
1		X		X		X		X		X
2			X	X			X	X		
4					X	X	X	X		
8									X	X

16-POSITION, HEXADECIMAL ²

POS.	0	1	2	3	4	5	6	7	8	9	A	B	C	D	E	F
0	X	X	X	X	X	X	X	X	X	X	X	X	X	X	X	X
1		X		X		X		X		X		X		X		X
2			X	X			X	X			X	X			X	X
4					X	X	X	X					X	X	X	X
8									X	X	X	X	X	X	X	X

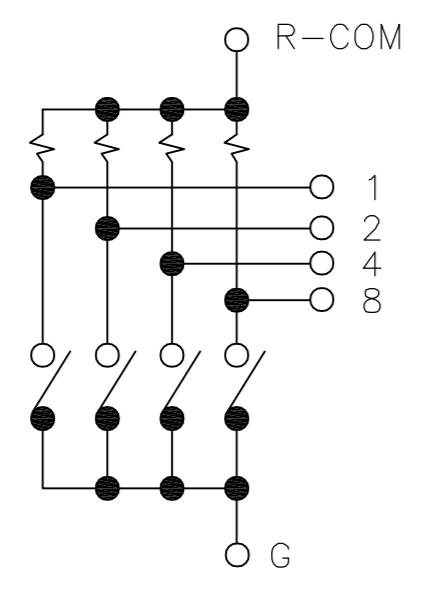
10-POSITION, BCD COMPLIMENT ³

POS.	0	1	2	3	4	5	6	7	8	9
0	X	X	X	X	X	X	X	X	X	X
1	X		X		X		X		X	
2	X	X			X	X			X	X
4	X	X	X	X					X	X
8	X	X	X	X	X	X	X	X		

16-POSITION, HEXADECIMAL COMPLIMENT ⁴

POS.	0	1	2	3	4	5	6	7	8	9	A	B	C	D	E	F
0	X	X	X	X	X	X	X	X	X	X	X	X	X	X	X	X
1	X		X		X		X		X		X		X		X	
2	X	X			X	X			X	X			X	X		
4	X	X	X	X					X	X	X	X				
8	X	X	X	X	X	X	X	X								

RR SERIES RESISTOR NETWORK INFORMATION



125mW	3.3k ohms	±5% @ 85°C	24V
	10k ohms		
RATED POWER	RESISTANCE	TOLERANCE	MAX. VOLTAGE

THIS DRAWING IS A CONTROLLED DOCUMENT.

DWN	M.BINNER	23OCT06
CHK	M.SARVER	23OCT06
APVD	M.SARVER	23OCT06

tyco Electronics Tyco Electronics Corporation
 Harrisburg, PA 17105-3608

NAME: RRD SERIES ROTARY DIP SWITCH

SIZE	A2	CAGE CODE	00779	DRAWING NO	C=1825444	RESTRICTED TO	-
SCALE	4:1	SHEET	2 of 2	REV	A		

CUSTOMER DRAWING

1825444