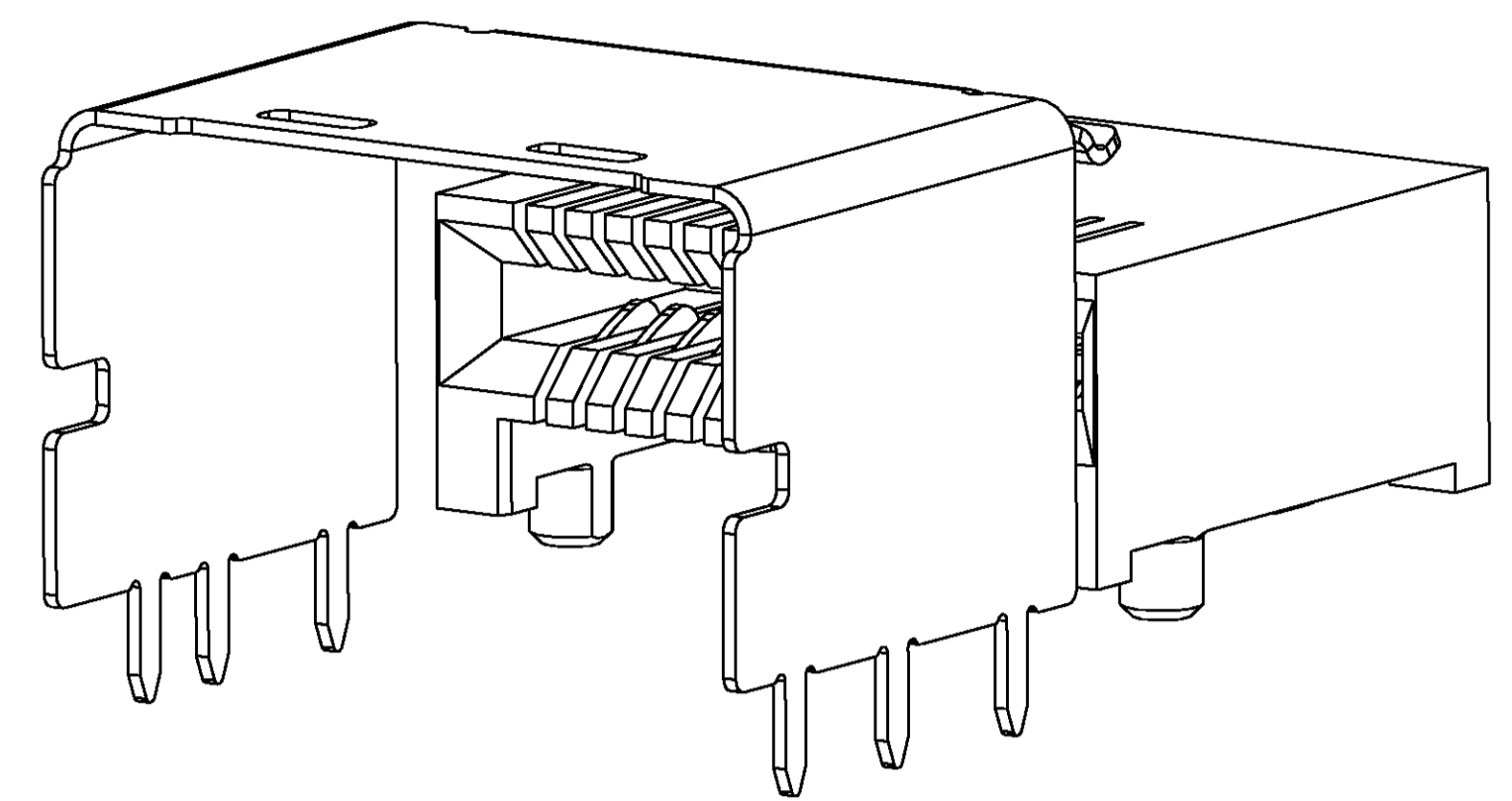
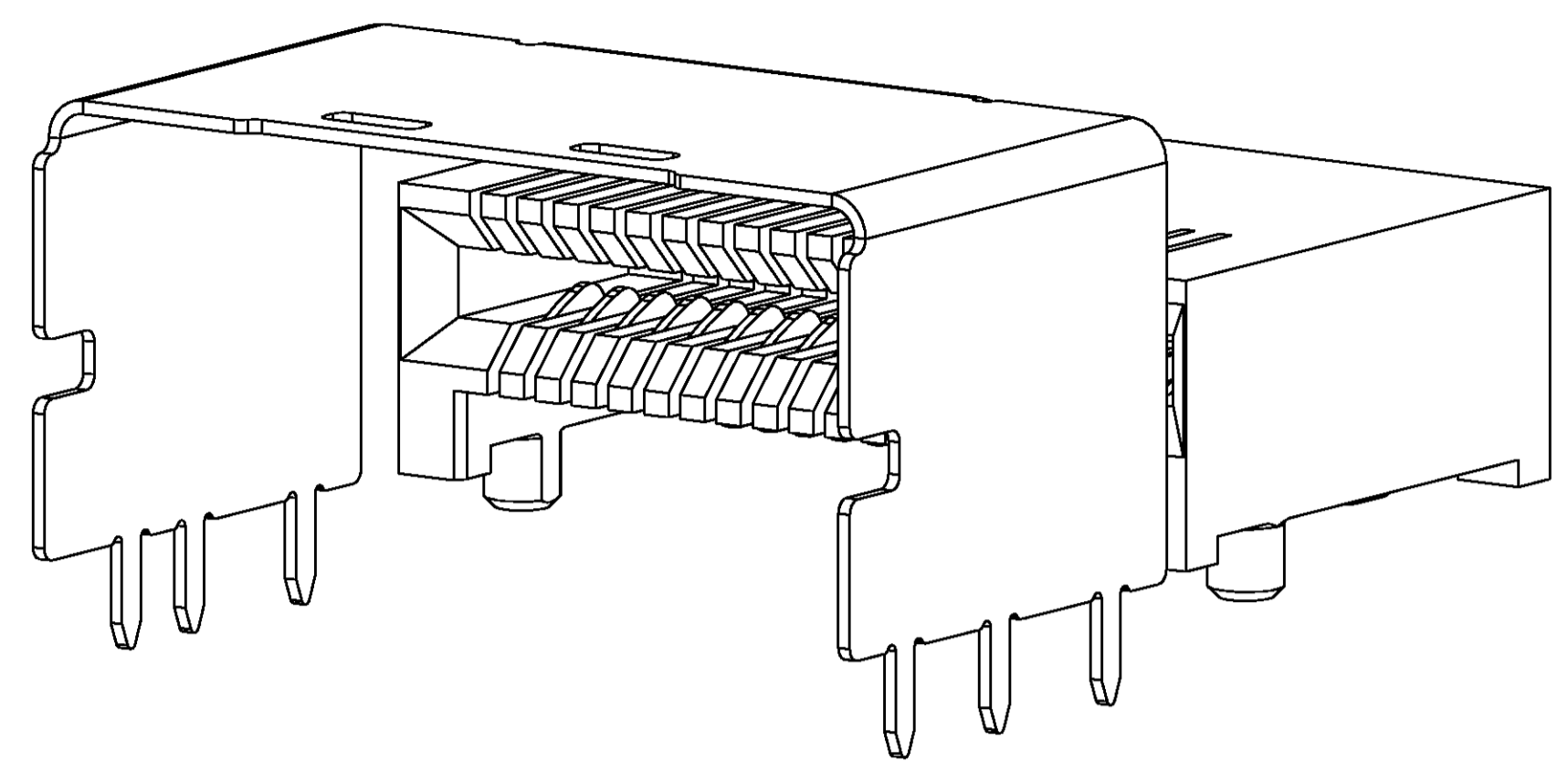


LOC	DIST	REVISIONS					
AG	00	P	LTR	DESCRIPTION	DATE	DRN	APVD
		7		REVISED A1 AND B1 POSITION	170CT07	BM	DG

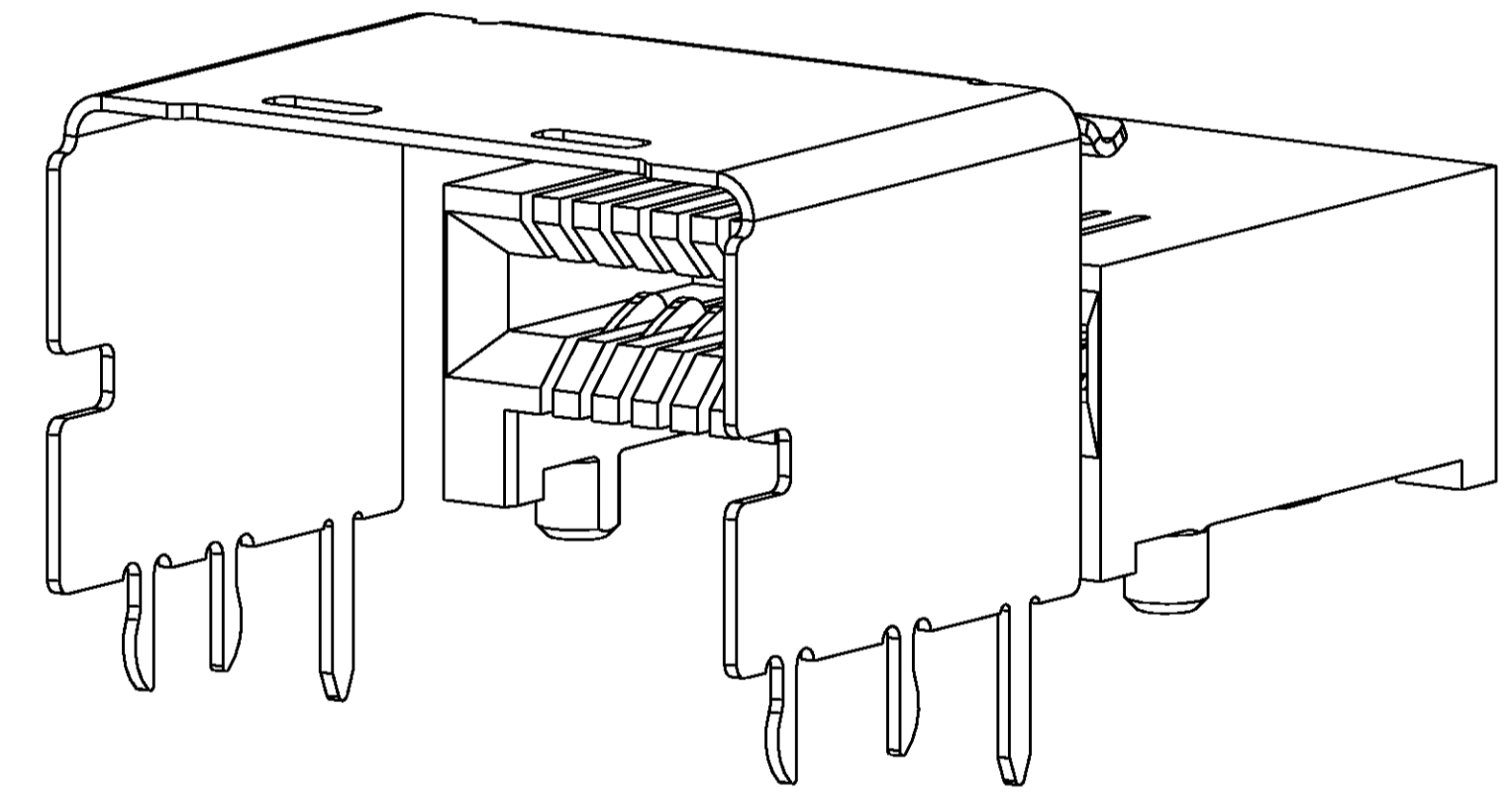


1888861-1
 WITHOUT PICK AND PLACE DEVICE
 SCALE 8:1

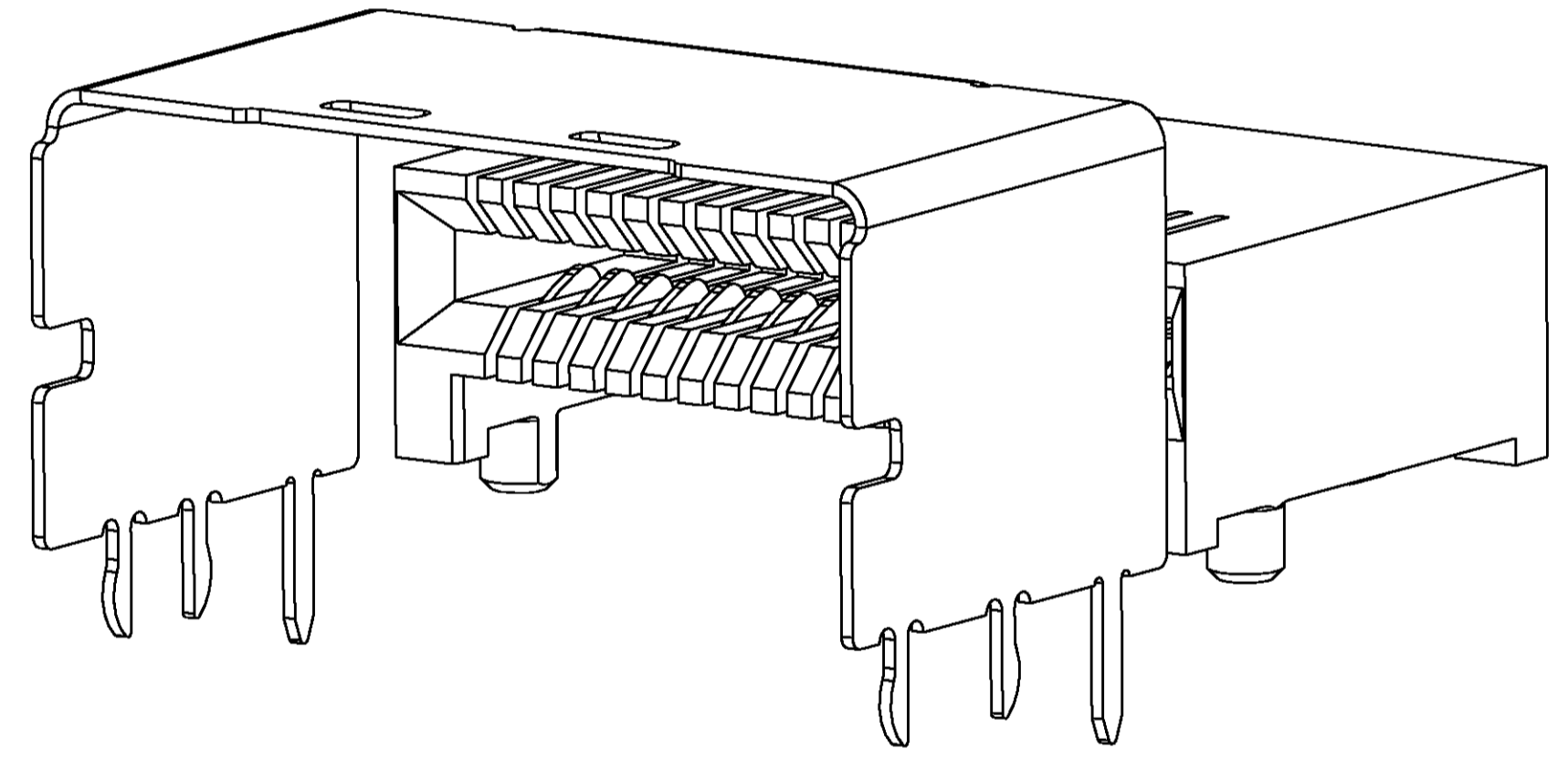


1888861-2
 WITHOUT PICK AND PLACE DEVICE
 SCALE 8:1

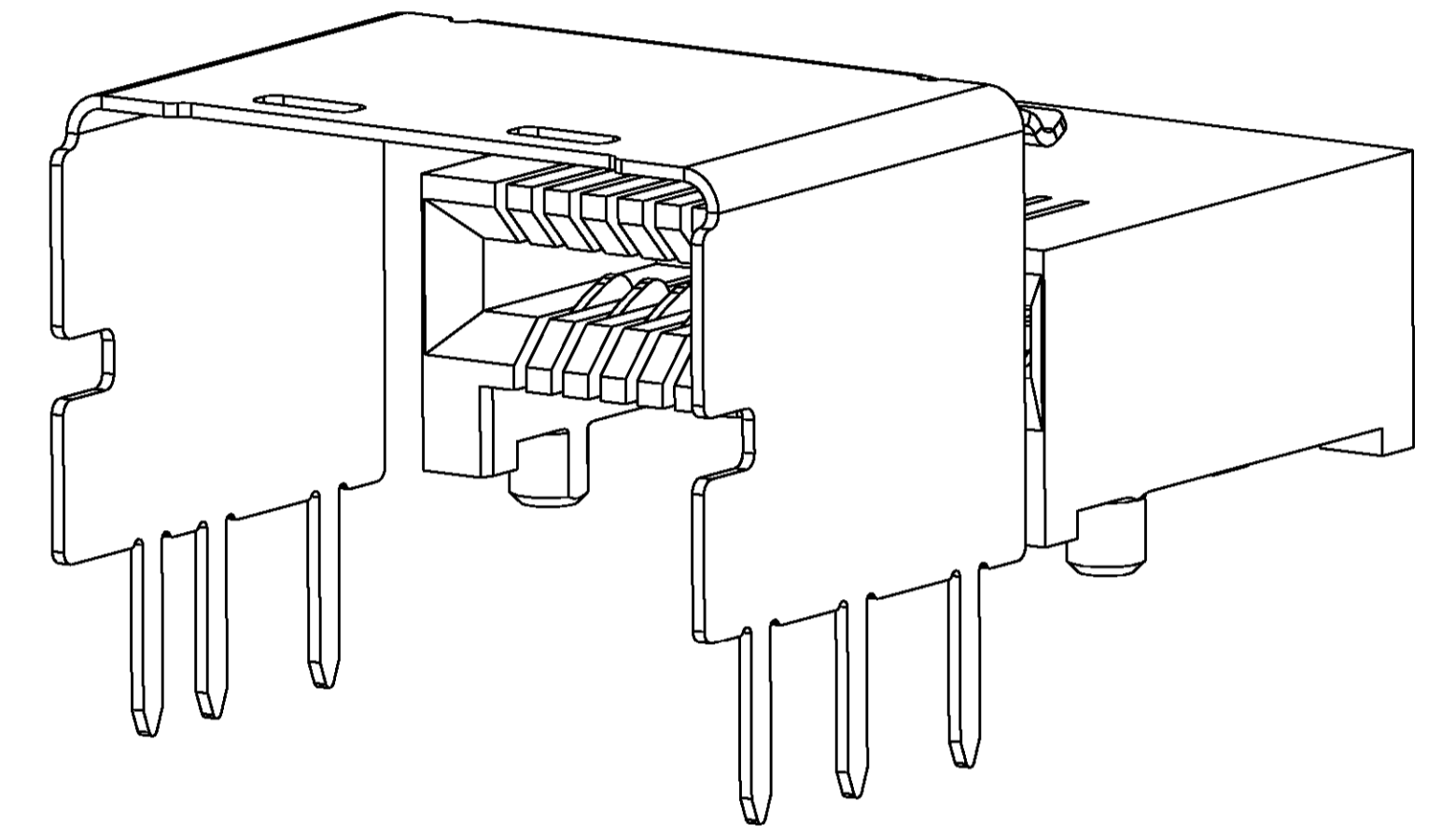
THIS PRINT IS
PRELIMINARY
 UNQUALIFIED PRODUCT
 CONTACT PRODUCT ENGINEERING
 BEFORE USING THIS PRINT



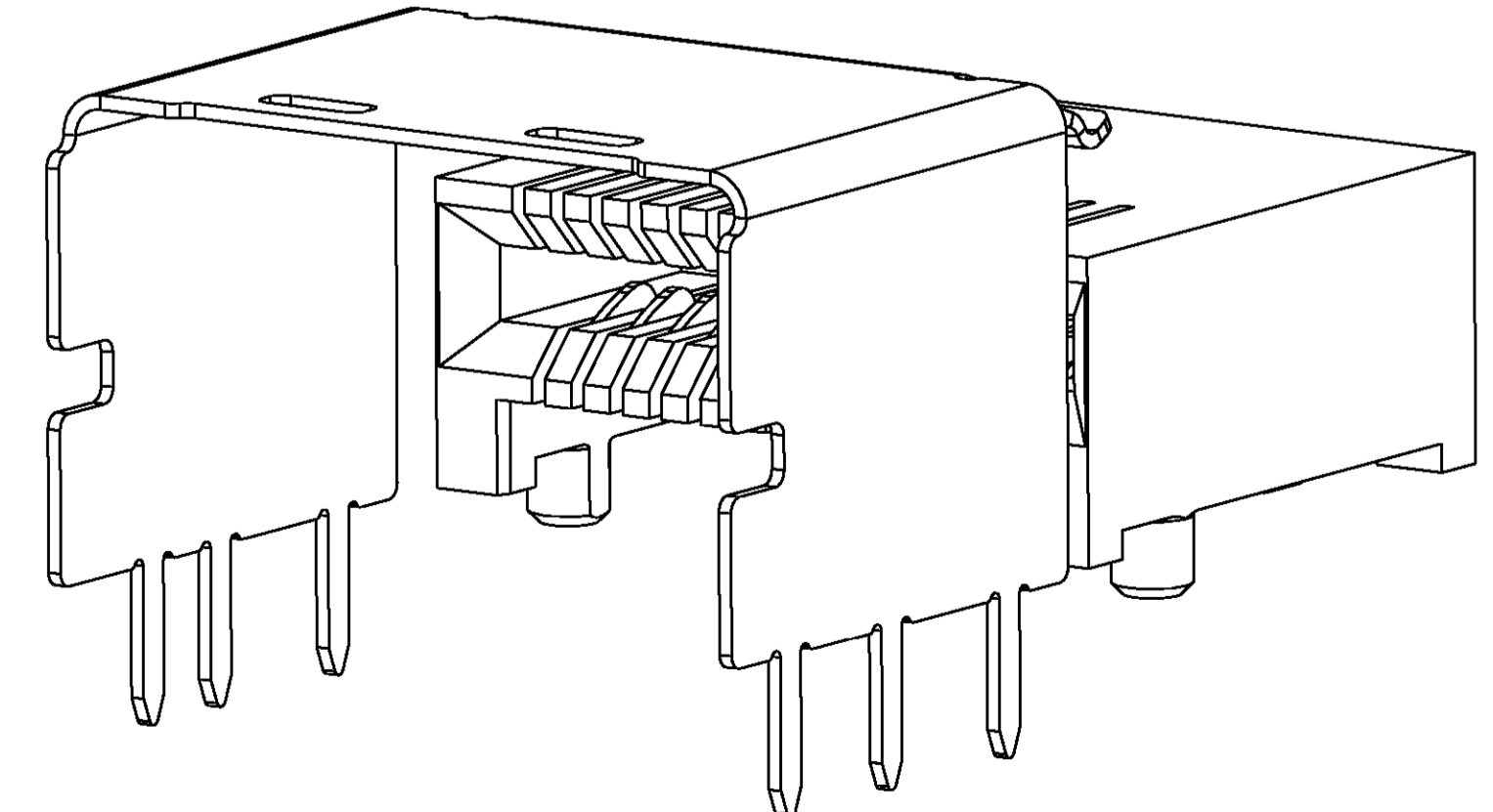
1888861-3
 WITHOUT PICK AND PLACE DEVICE
 SCALE 8:1



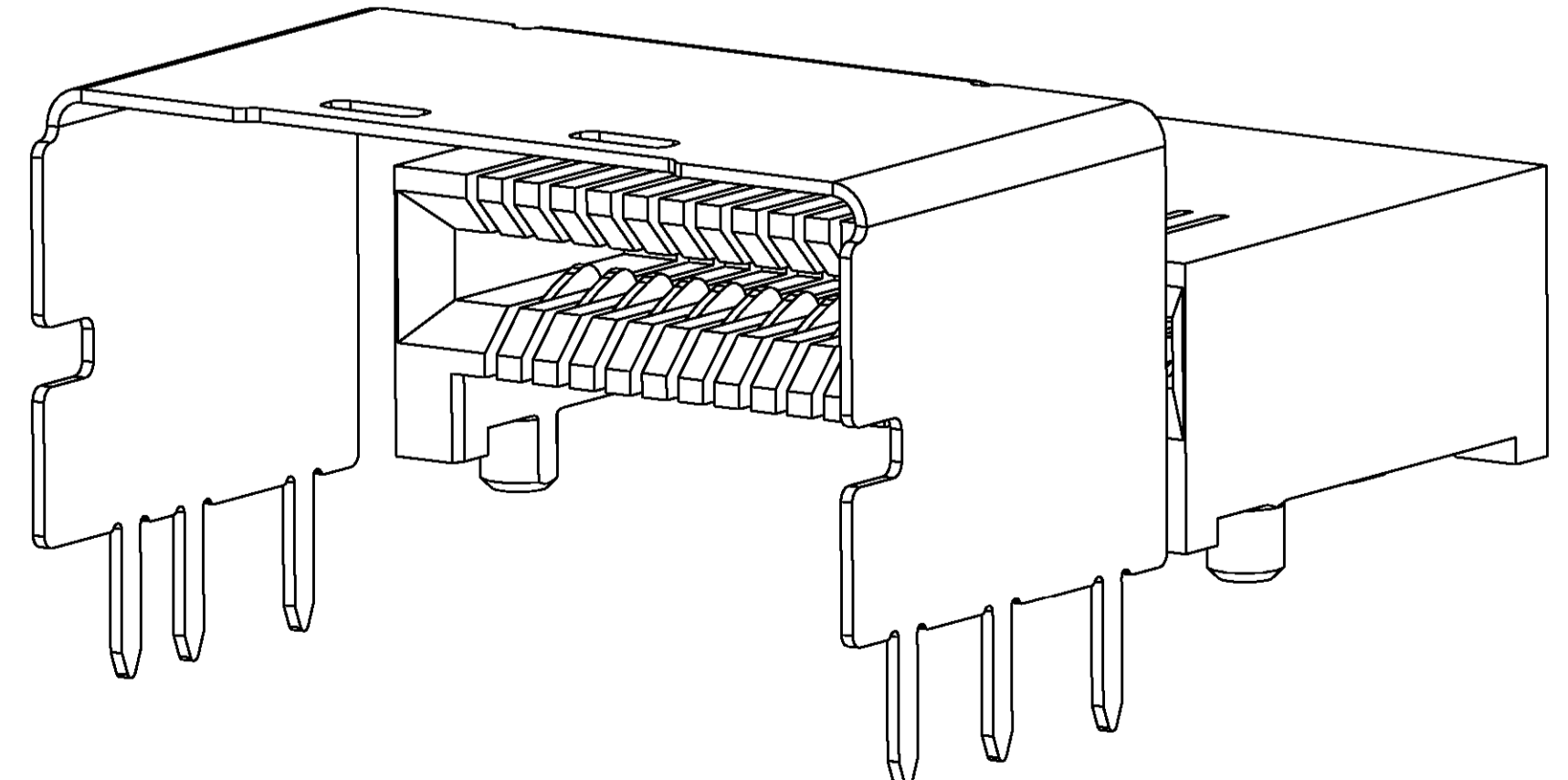
1888861-4
 WITHOUT PICK AND PLACE DEVICE
 SCALE 8:1



1888861-7
 SCALE 8:1

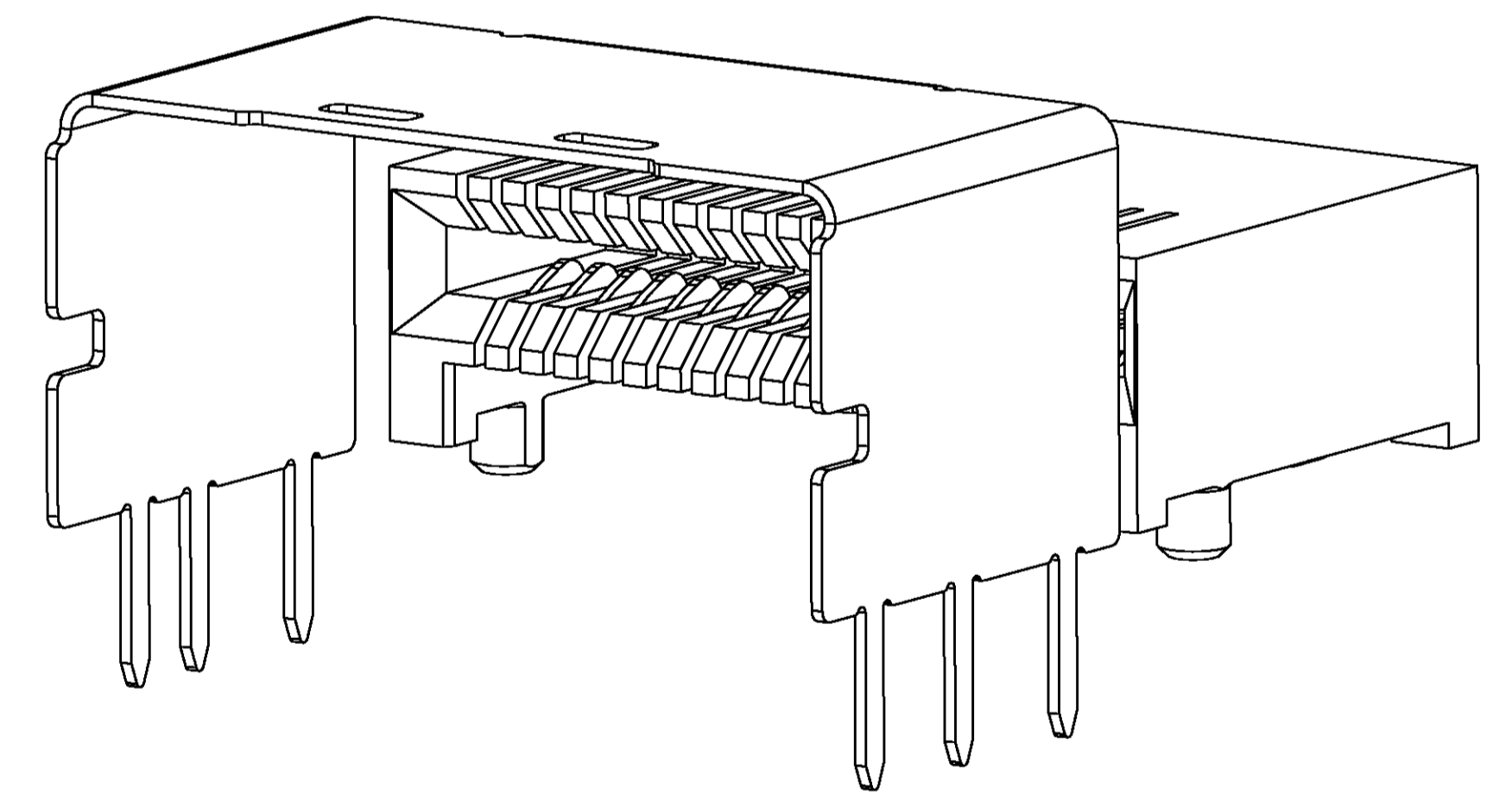


1888861-5
 WITHOUT PICK AND PLACE DEVICE
 SCALE 8:1



1888861-6
 WITHOUT PICK AND PLACE DEVICE
 SCALE 8:1

- 1 MATERIAL: LCP, BLACK
- 2 MATERIAL: PHOSPHOR BRONZE PER ASTM B 103
- 3 FINISH: 0.76µm MIN GOLD PLATE PER ASTM B 488, APPLIES TO INTERFACE AREA AND 2.03µm MIN TIN PLATE SOLDER TAILS, ALL OVER 3.81µm MIN NICKEL PLATE PER QQ-N-290.
- 4 MATERIAL: NICKEL-SILVER PER ASTM B 122.
- 5 DATUM AND BASIC DIMENSION ESTABLISHED BY CUSTOMER
- 6 REFER TO CUSTOMER DRAWING 1761987 FOR CONNECTOR DETAILS.
- 7 PACKAGED IN TAPE AND REEL PER EIA-481.
- 8 NOT RELEASED FOR PRODUCTION

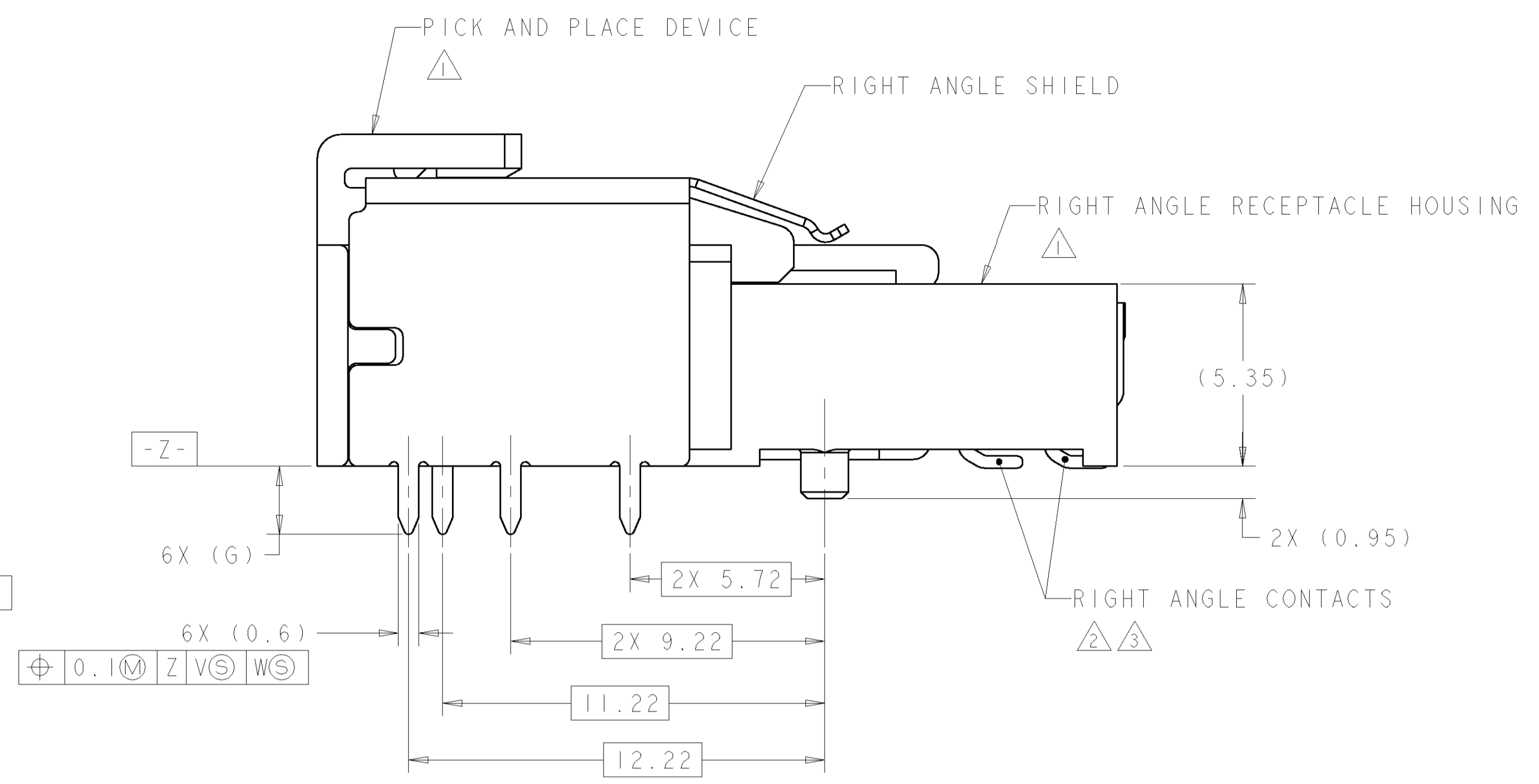
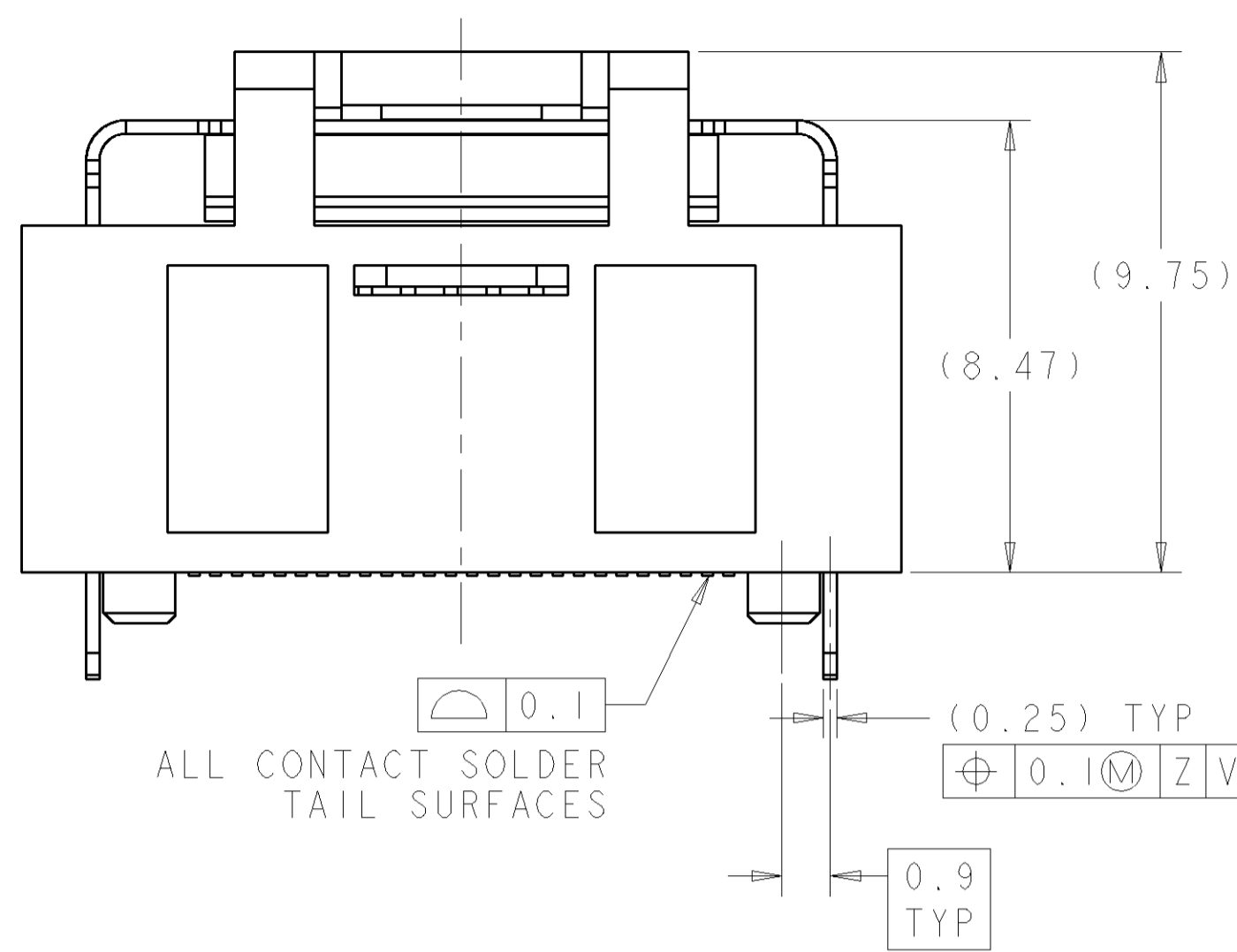


1888861-8
 SCALE 8:1

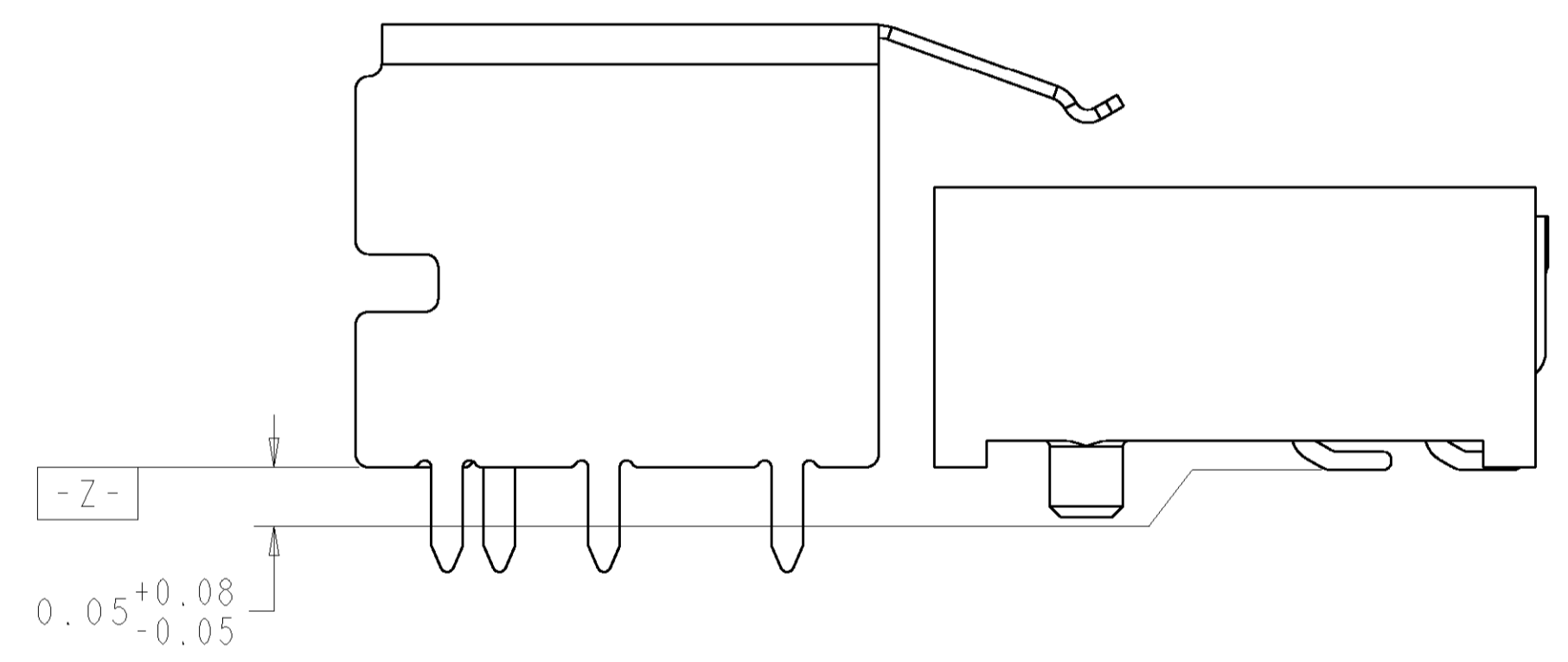
THRU HOLE	3.5	36	17.8	16	16	36	18.05	36	1888861-8
	3.5	26	13.8	12	12	26	14.05	26	1888861-7
THRU HOLE	2.8	36	17.8	16	16	36	18.05	36	1888861-6
	2.8	26	13.8	12	12	26	14.05	26	1888861-5
PRESS FIT	-	36	17.8	16	16	36	18.05	36	1888861-4
	-	26	13.8	12	12	26	14.05	26	1888861-3
THRU HOLE	2	36	17.8	16	16	36	18.05	36	1888861-2
	2	26	13.8	12	12	26	14.05	26	1888861-1
REMARKS	G	F	E	D	C	B	A	POSN	PART NUMBER

DIMENSIONS: mm 		TOLERANCES UNLESS OTHERWISE SPECIFIED: 0 PLC ± 1 PLC ± 2 PLC ± 3 PLC ± 4 PLC ± ANGLES ±		DWG: MCMASTER 21FEB07 CHK: D. GORENC 21FEB07 APVD: D. GORENC 21FEB07		tyco Electronics Tyco Electronics Harrisburg, PA 17105-3608	
MATERIAL: SEE NOTES		FINISH: SEE NOTES		WEIGHT: - CUSTOMER DRAWING		NAME: SHIELDED RIGHT ANGLE, RECEPTACLE CONNECTOR ASSEMBLY, SFF, UNKEYED SIZE: CAGE CODE DRAWING NO: A100779C=1888861 RESTRICTED TO: -	
SCALE 8:1 SHEET 1 OF 3 REV 7						DATE: 170CT07	

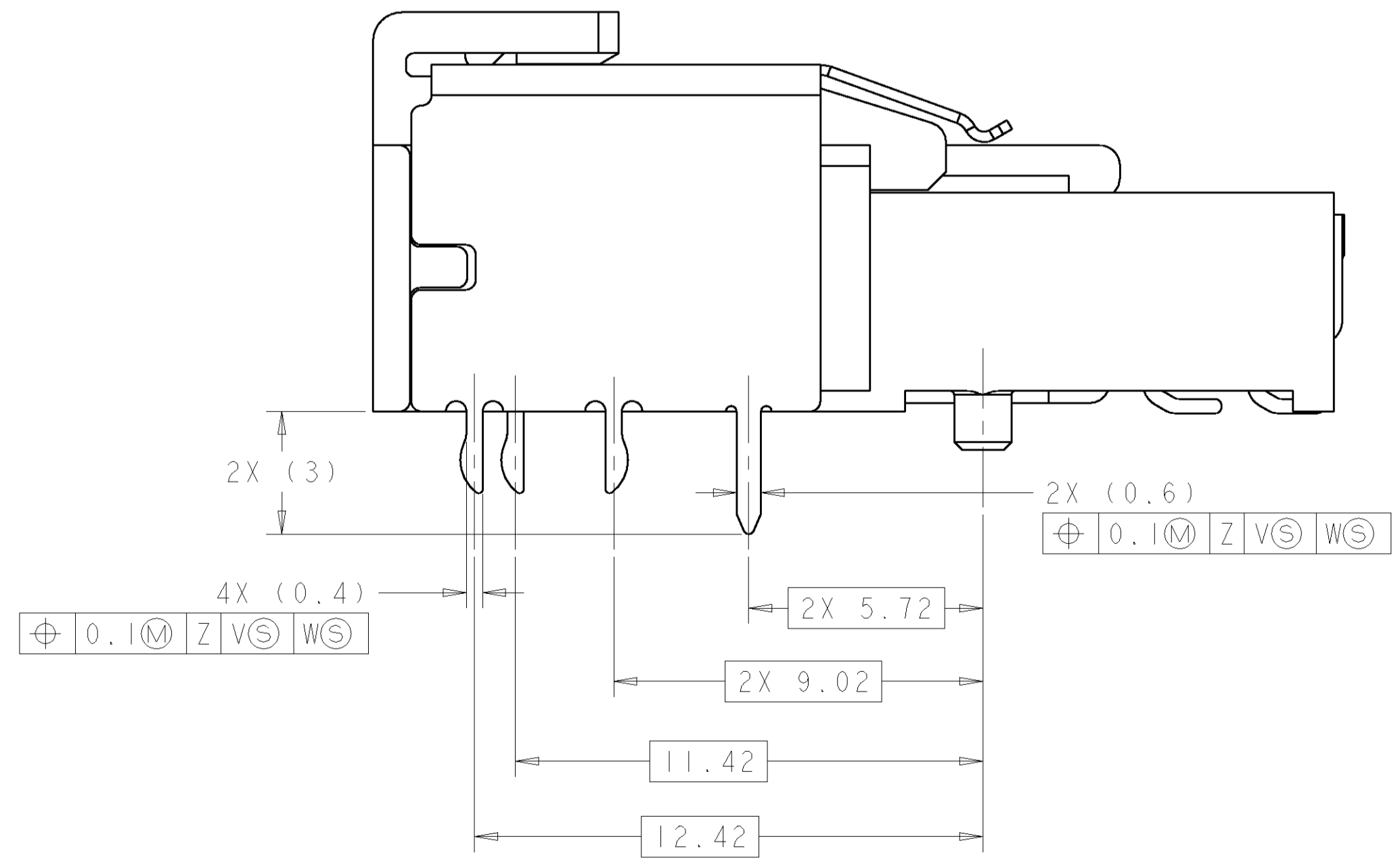
LOC	DIST	REVISIONS					
AG	00	P	LTR	DESCRIPTION	DATE	DRN	APVD
-	-	-	-	SEE SHEET 1	-	-	-



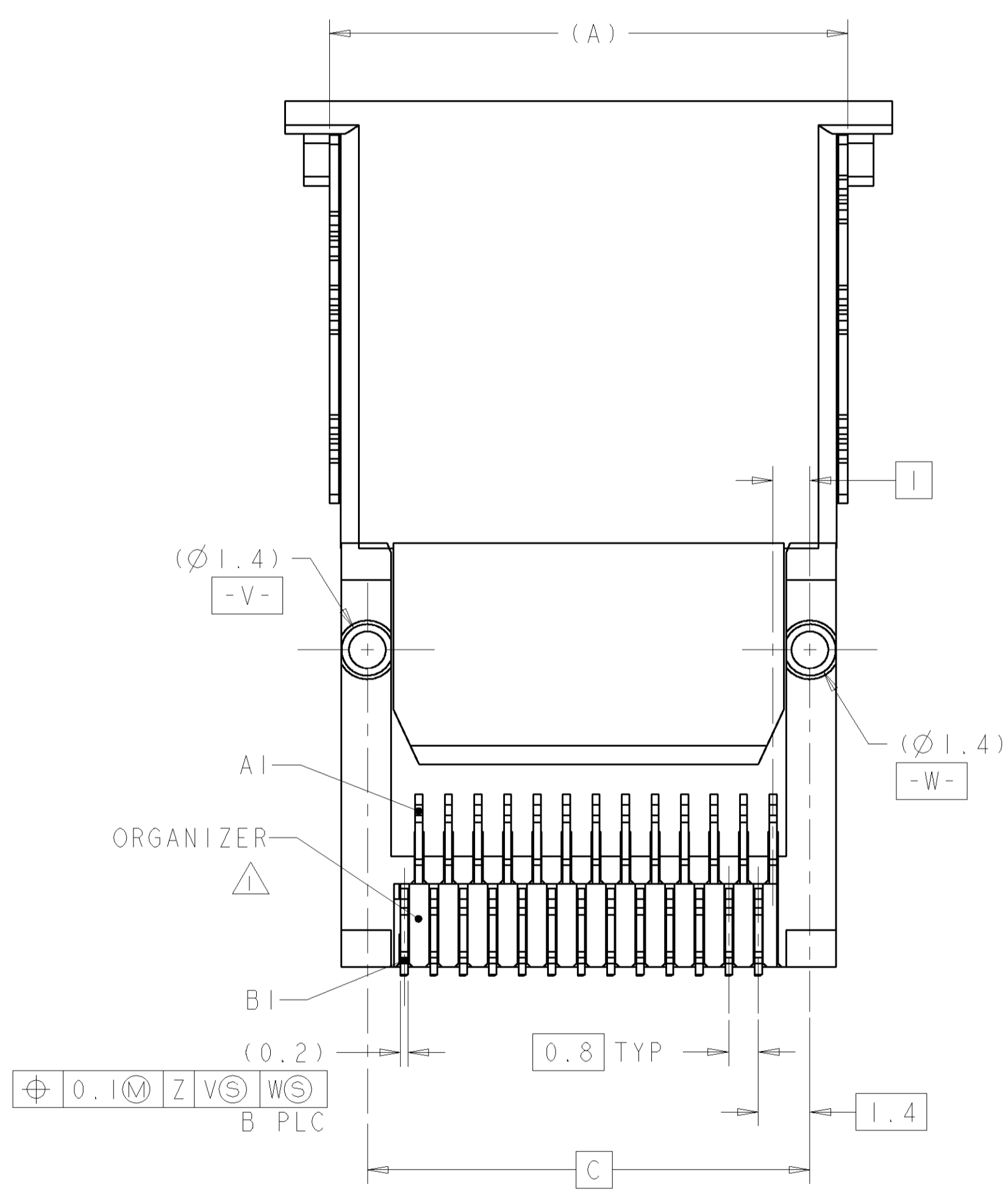
1888861-1 AND 1888861-2



1888861-1 AND 1888861-2
 PICK AND PLACE DEVICE OMITTED FOR CLARITY



1888861-3 AND 1888861-4



0.1

0.2

0.8 TYP

1.4

0.1

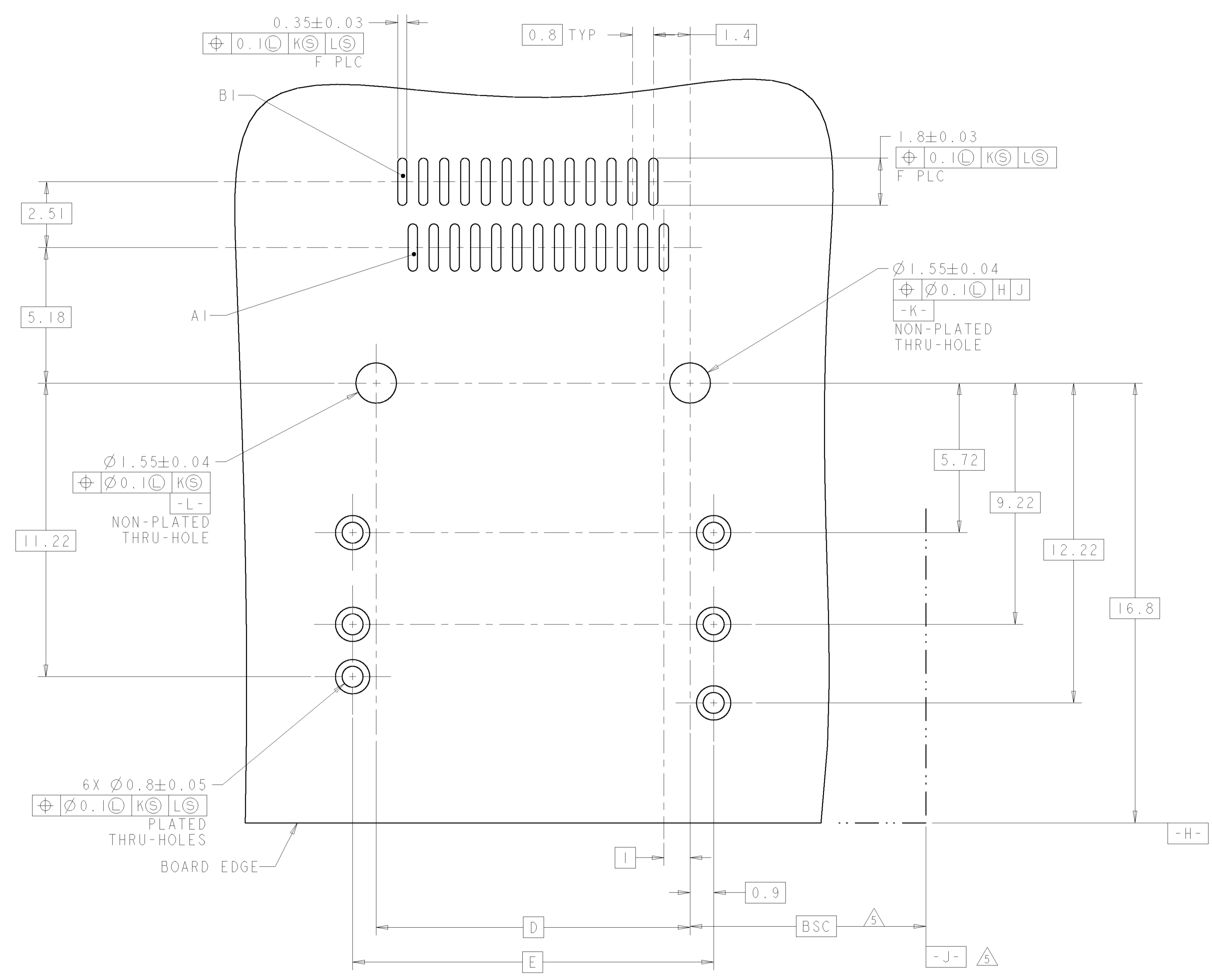
Z V S W S

B PLC

THIS PRINT IS
PRELIMINARY
 UNQUALIFIED PRODUCT
 CONTACT PRODUCT ENGINEERING
 BEFORE USING THIS PRINT

DIMENSIONS:		TOLERANCES UNLESS OTHERWISE SPECIFIED:		DRN: B. MCMASTER 21FEB07	Tyco Electronics Harrisburg, PA 17105-3608
mm	0 PLC ±	1 PLC ±	2 PLC ±	ENR: D. GORENC 21FEB07	
	3 PLC ±	4 PLC ±	5 PLC ±	APVD: D. GORENC 21FEB07	NAME: SHIELDED RIGHT ANGLE, RECEPTACLE CONNECTOR ASSEMBLY, SFF, UNKEYED
	6 PLC ±	7 PLC ±	8 PLC ±	PRODUCT SPEC	APPLICATION SPEC
MATERIAL: SEE NOTES	FINISH: SEE NOTES	WEIGHT: -	CUSTOMER DRAWING	SIZE: A 00779 C=1888861	RESTRICTED TO: -
				SCALE: 8:1	SHEET 2 OF 3
				REV 7	

LOC		DIST		REVISONS			
P	LTR	DESCRIPTION	DATE	DNW	APVD		
-	-	SEE SHEET 1	-	-	-		



RECOMMENDED PCB LAYOUT
SCALE 10:1

THIS PRINT IS
PRELIMINARY
 UNQUALIFIED PRODUCT
 CONTACT PRODUCT ENGINEERING
 BEFORE USING THIS PRINT

<small>THIS DRAWING IS UNPUBLISHED. RELEASED FOR PUBLICATION. THE INFORMATION IS CONTAINED HEREIN IS UNCLASSIFIED EXCEPT WHERE SHOWN OTHERWISE. IT IS THE PROPERTY OF TYCO ELECTRONICS CORPORATION AND IS TO BE CONTROLLED AND DISTRIBUTED ONLY TO THOSE PERSONS TO WHOM ACCESS IS AUTHORIZED BY TYCO ELECTRONICS CORPORATION.</small>		DWN: B MCMASPER 21FEB07 CHK: D GORENC 21FEB07 APVD: D GORENC 21FEB07	tyco Electronics Tyco Electronics Harrisburg, PA 17105-3608
DIMENSIONS: mm 	TOLERANCES UNLESS OTHERWISE SPECIFIED: 0 PLC ± 1 PLC ± 2 PLC ± 3 PLC ± 4 PLC ± ANGLES ± FINISH SEE NOTES	PRODUCT SPEC APPLICATION SPEC WEIGHT CUSTOMER DRAWING	NAME: SHIELDED RIGHT ANGLE, RECEPTACLE CONNECTOR ASSEMBLY, SFF, UNKEYED SIZE: A 00779 C=1888861 RESTRICTED TO: - SCALE: 1:1 SHEET 3 OF 3 REV 7