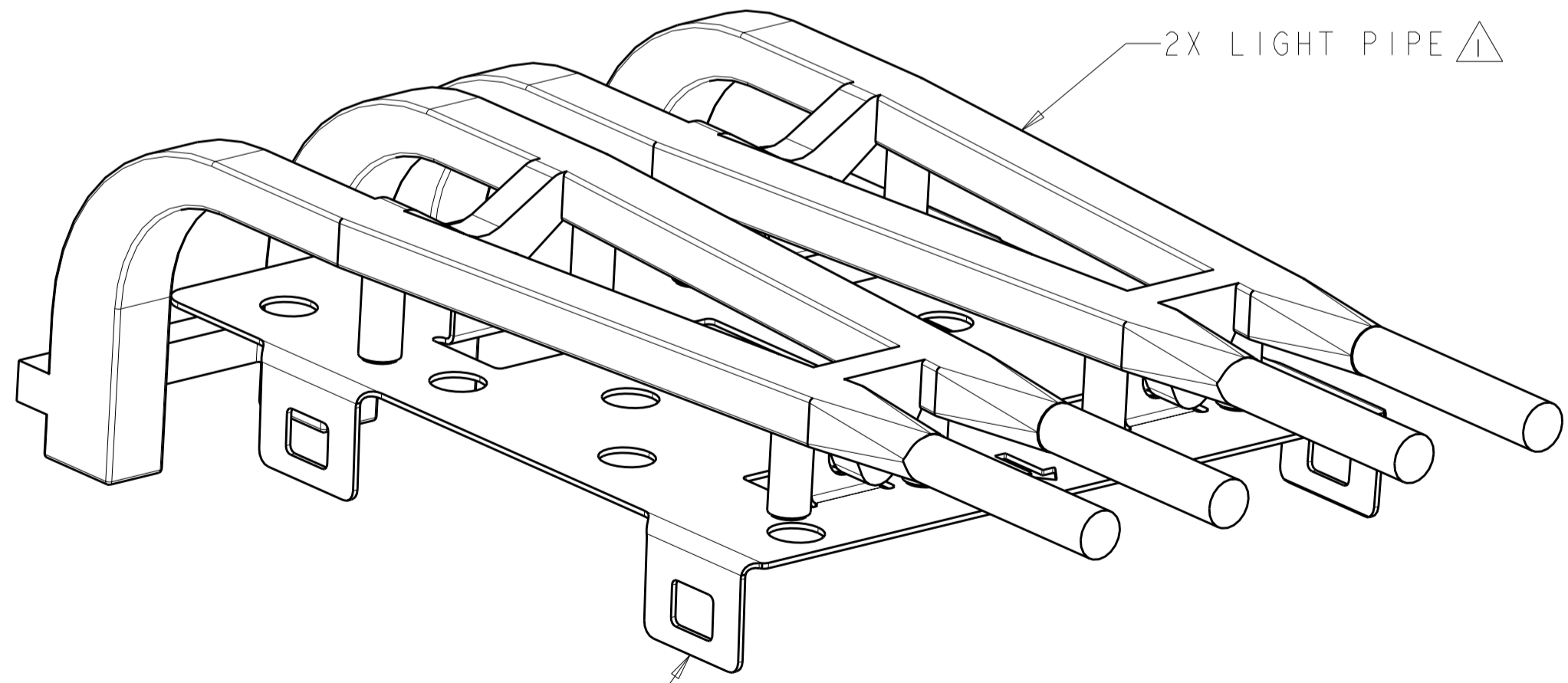
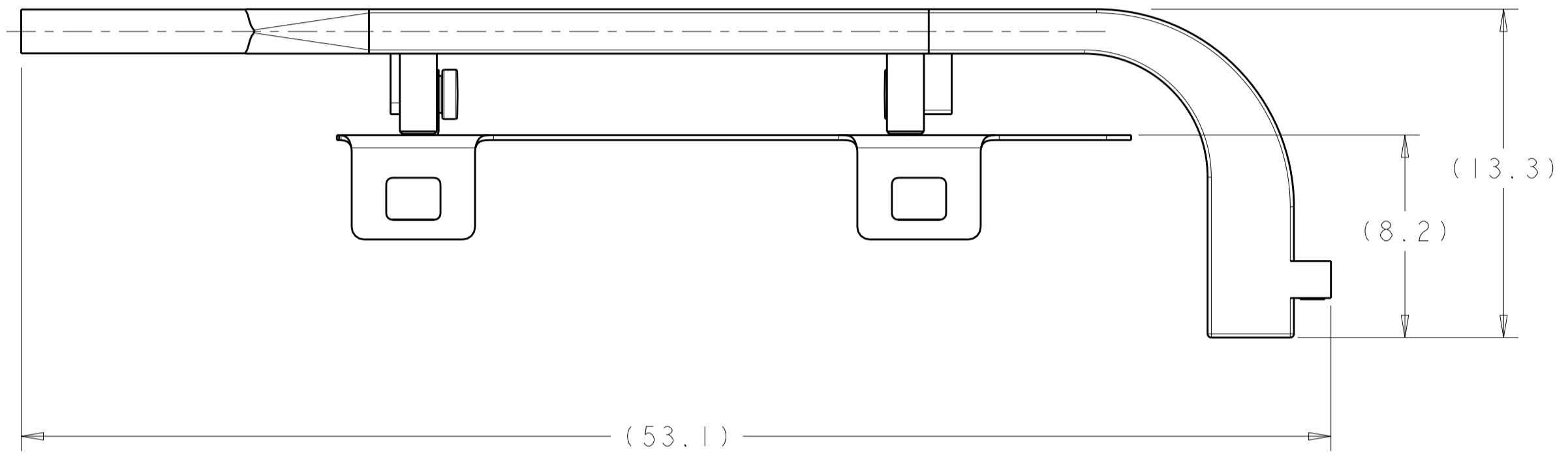
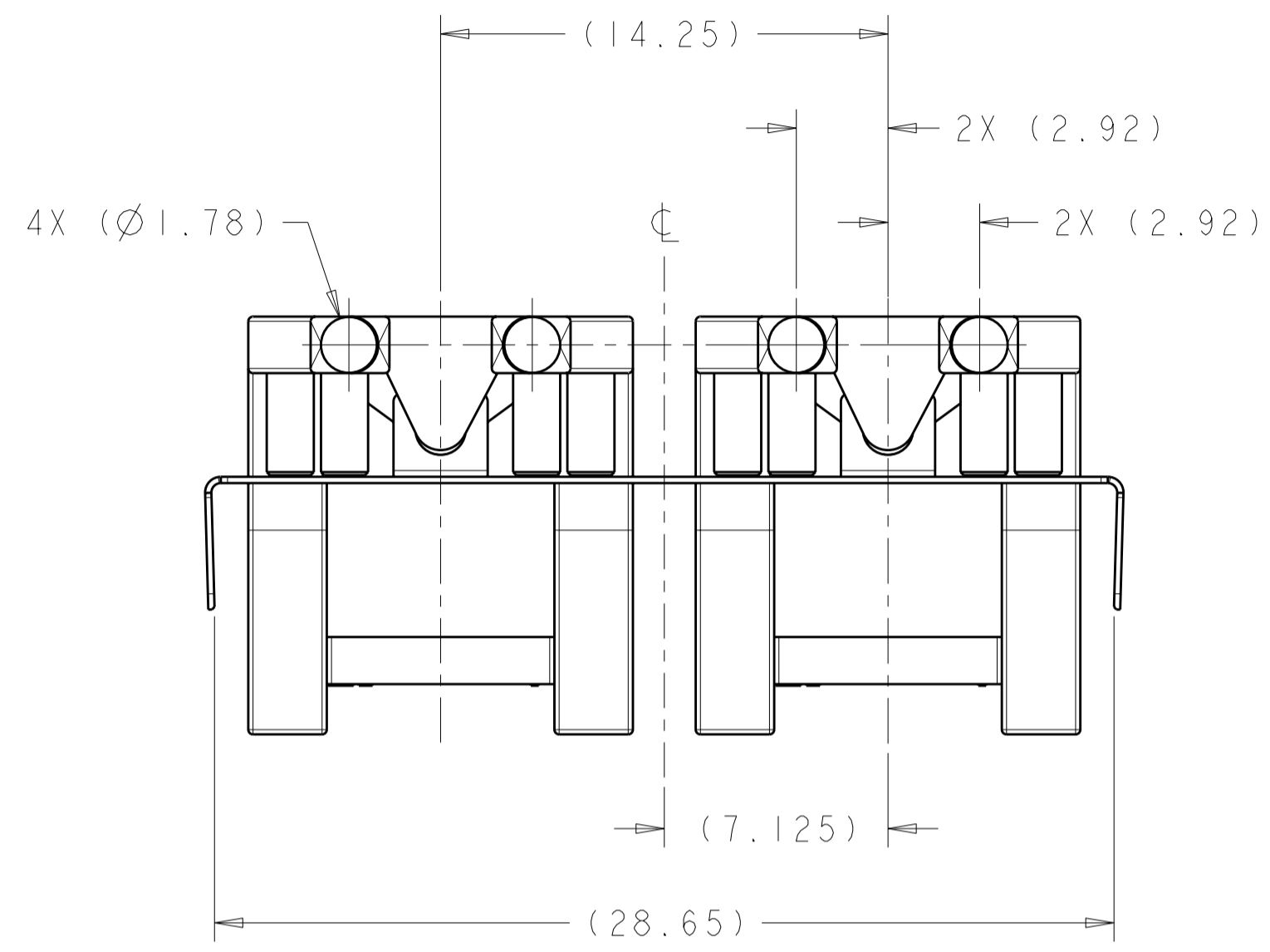


THIS DRAWING IS UNPUBLISHED. RELEASED FOR PUBLICATION 20  
 © COPYRIGHT 20 BY TYCO ELECTRONICS CORPORATION. ALL RIGHTS RESERVED.

LOC		DIST		REVISIONS			
P	LTR	DESCRIPTION	DATE	DWN	APVD		
-	-	A	RELEASED PER ECO-09-004191	22FEB2009	ZMR	MRS	



- $\triangle 1$  POLYCARBONATE, CLEAR, UL 94V-2.
- $\triangle 2$  STAINLESS STEEL PER ASTM A 666

2007182-1  
 PART NUMBER

2007182-1

<small>THIS DRAWING IS A CONTROLLED DOCUMENT FOR TYCO ELECTRONICS CORPORATION. IT IS SUBJECT TO CHANGE AND THE CONTROLLING ENGINEERING ORGANIZATION SHOULD BE CONTACTED FOR THE LATEST REVISION.</small>		DWN M.E.COWHER 14 JUN 2007 CHK M.J.PHILLIPS 14 JUN 2007 APVD M.J.PHILLIPS 14 JUN 2007	<b>Tyco Electronics</b> Tyco Electronics Harrisburg, PA 17105-3608
DIMENSIONS: mm	TOLERANCES UNLESS OTHERWISE SPECIFIED: 0 PLC ± 1 PLC ± 2 PLC ± 3 PLC ± 4 PLC ± ANGLES ± FINISH	PRODUCT SPEC 108-2364 APPLICATION SPEC - WEIGHT -	NAME 1X2 LIGHT PIPE ASSEMBLY, SFP+ SIZE CAGE CODE DRAWING NO RESTRICTED TO A200779 C-2007182 -
MATERIAL $\triangle 1$ $\triangle 2$		CUSTOMER DRAWING	SCALE 5:1 SHEET 1 OF 4 REV A

4

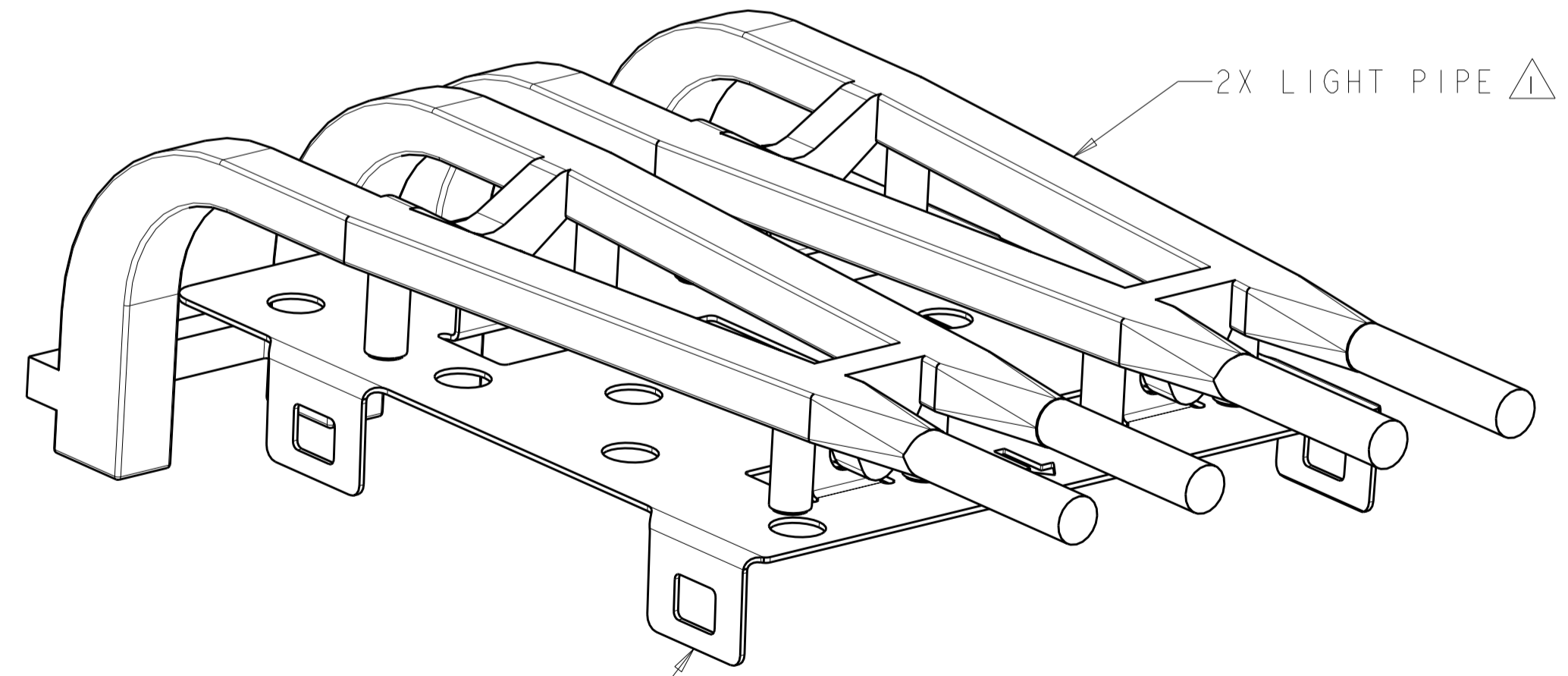
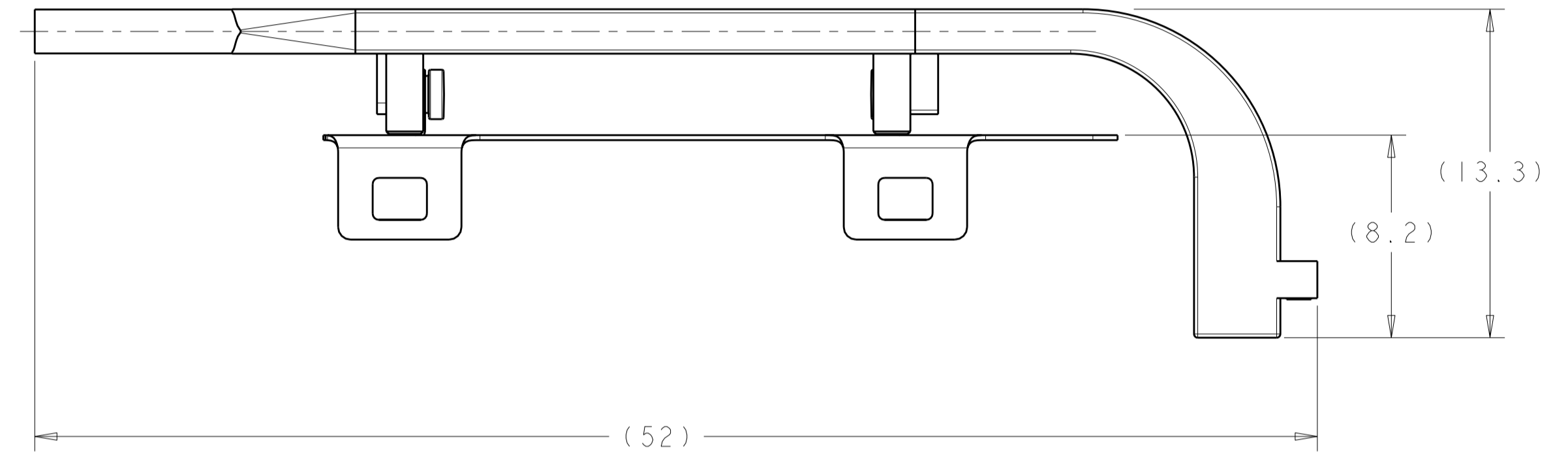
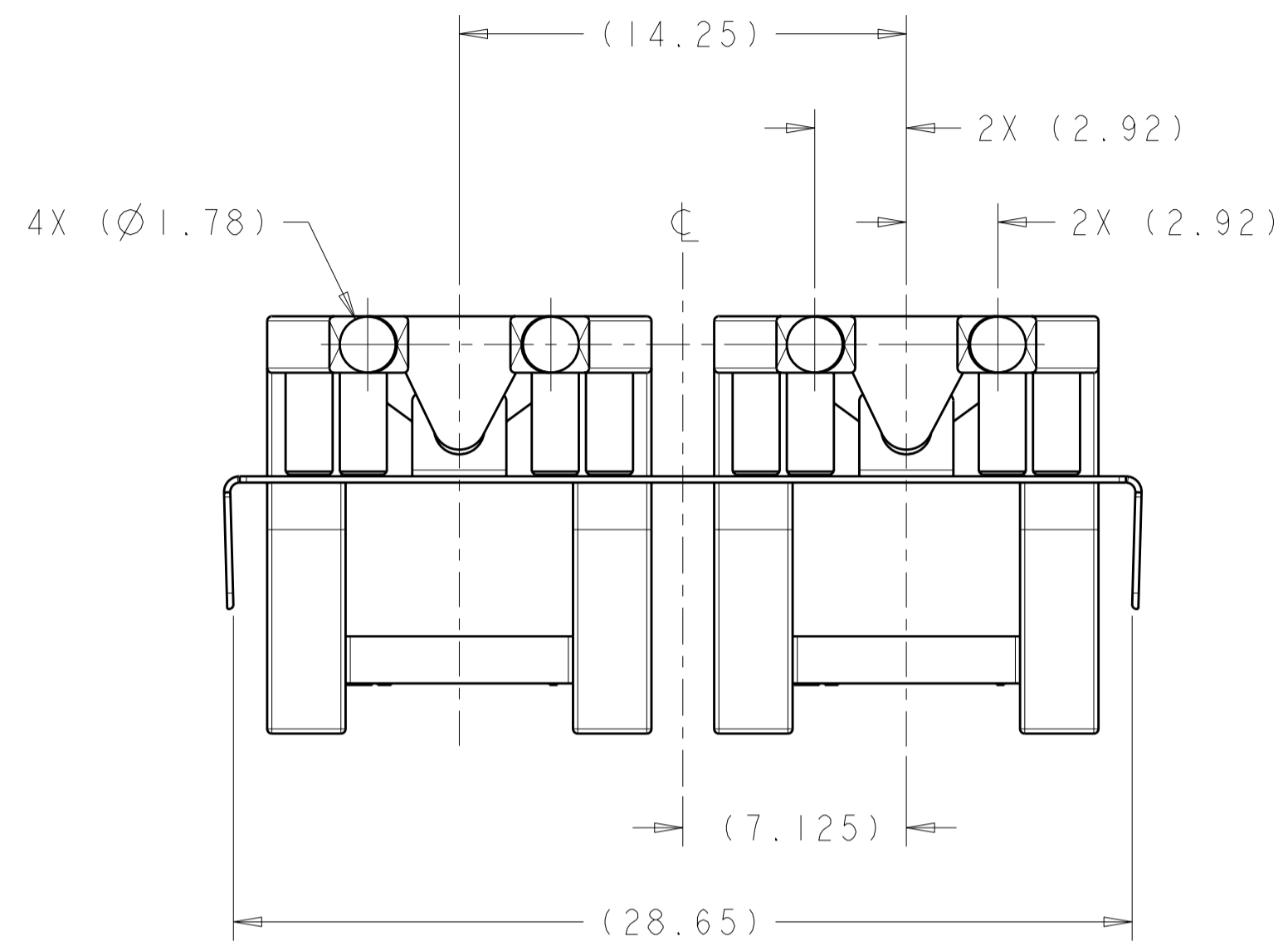
3

2

1

THIS DRAWING IS UNPUBLISHED. RELEASED FOR PUBLICATION 20  
 © COPYRIGHT 20 BY TYCO ELECTRONICS CORPORATION. ALL RIGHTS RESERVED.

LOC		DIST		REVISIONS			
P	LTR	DESCRIPTION	DATE	DWN	APVD		
-	-	SEE SHEET 1	-	-	-		



2007182-2

2007182-2  
 PART NUMBER

<small>THIS DRAWING IS A CONTROLLED DOCUMENT FOR TYCO ELECTRONICS CORPORATION. IT IS SUBJECT TO CHANGE AND THE CONTROLLING ENGINEERING ORGANIZATION SHOULD BE CONTACTED FOR THE LATEST REVISION.</small>		DWN M.E.COWHER 14 JUN 2007 CHK M.J.PHILLIPS 14 JUN 2007 APVD M.J.PHILLIPS 14 JUN 2007	Tyco Electronics Harrisburg, PA 17105-3608
DIMENSIONS: mm 	TOLERANCES UNLESS OTHERWISE SPECIFIED: 0 PLC ± 1 PLC ± 2 PLC ± 3 PLC ± 4 PLC ± ANGLES ± FINISH	PRODUCT SPEC 108-2364 APPLICATION SPEC - WEIGHT -	NAME 1X2 LIGHT PIPE ASSEMBLY, SFP+ SIZE CAGE CODE DRAWING NO RESTRICTED TO A200779 C-2007182 -
MATERIAL 		CUSTOMER DRAWING	SCALE 5:1 SHEET 2 OF 4 REV A

4

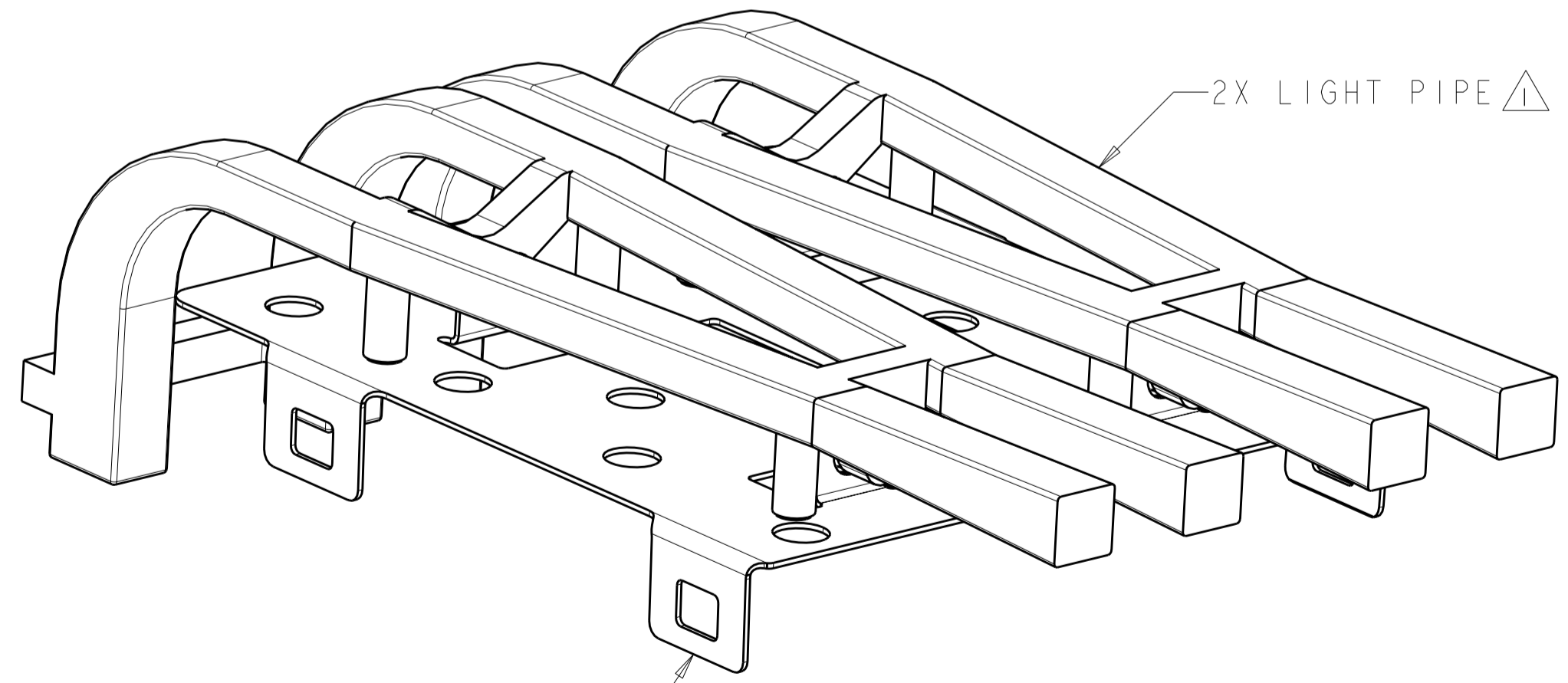
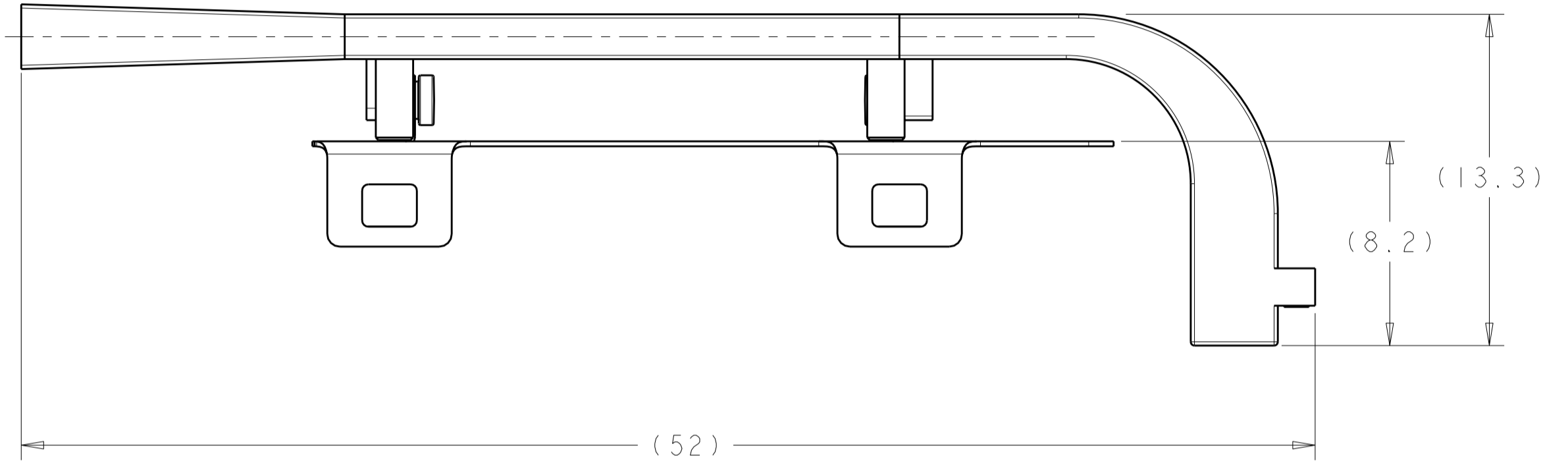
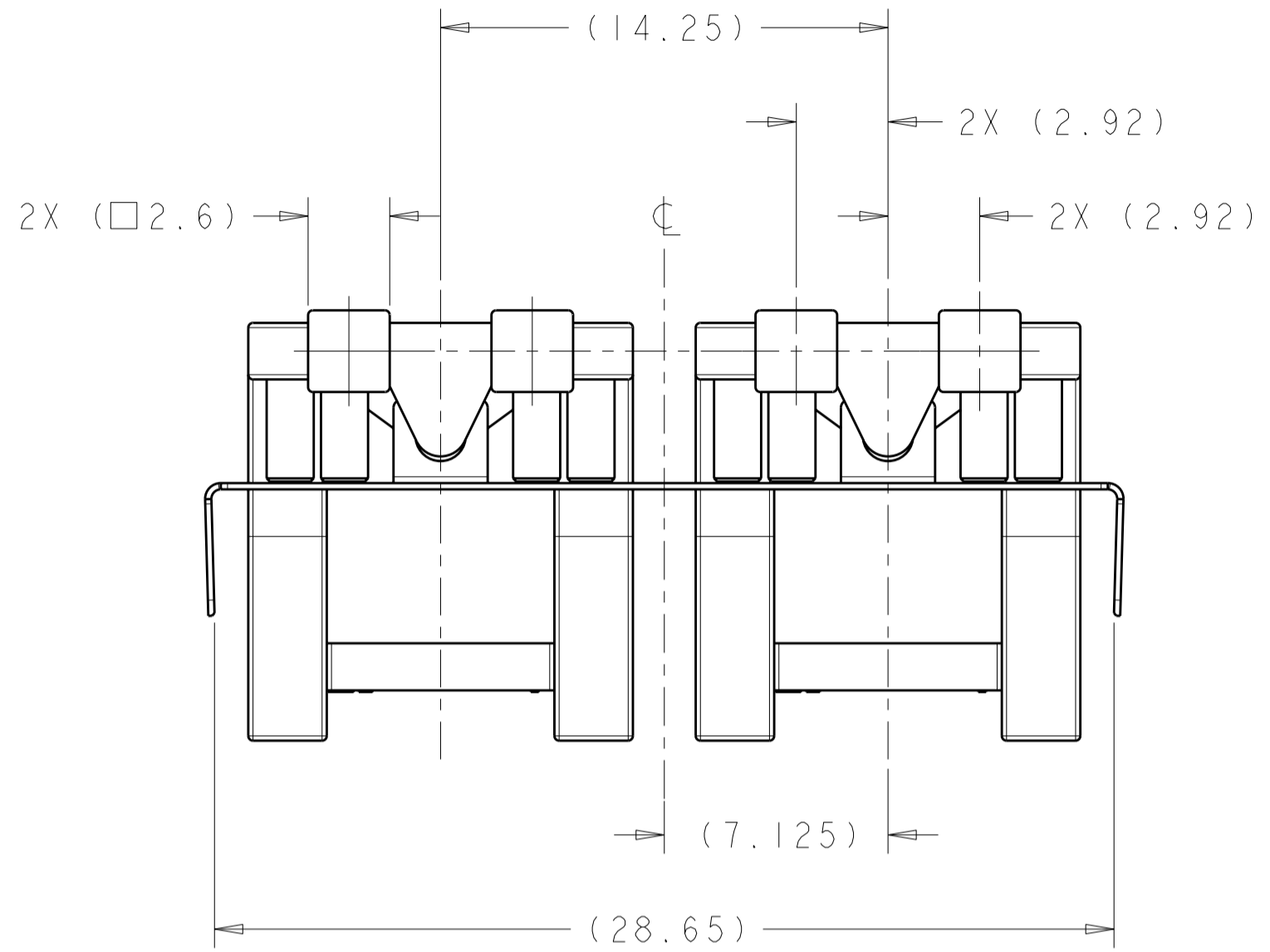
3

2

1

THIS DRAWING IS UNPUBLISHED. RELEASED FOR PUBLICATION 20  
 © COPYRIGHT 20 BY TYCO ELECTRONICS CORPORATION. ALL RIGHTS RESERVED.

LOC	DIST	REVISIONS			
P	LTR	DESCRIPTION	DATE	DWN	APVD
-	-	SEE SHEET 1	-	-	-



2007182-3  
 PART NUMBER

IX2 LIGHT PIPE BRACKET  
 2007182-3

<small>THIS DRAWING IS A CONTROLLED DOCUMENT FOR TYCO ELECTRONICS CORPORATION. IT IS SUBJECT TO CHANGE AND THE CONTROLLING ENGINEERING ORGANIZATION SHOULD BE CONTACTED FOR THE LATEST REVISION.</small>		DWN M.E.COWHER 14 JUN 2007 CHK M.J.PHILLIPS 14 JUN 2007 APVD M.J.PHILLIPS 14 JUN 2007	Tyco Electronics Harrisburg, PA 17105-3608
DIMENSIONS: mm	TOLERANCES UNLESS OTHERWISE SPECIFIED: 0 PLC ± 1 PLC ± 2 PLC ± 3 PLC ± 4 PLC ± ANGLES ± FINISH	PRODUCT SPEC 108-2364 APPLICATION SPEC - WEIGHT -	NAME IX2 LIGHT PIPE ASSEMBLY, SFP+ SIZE CAGE CODE DRAWING NO RESTRICTED TO A200779 C-2007182 -
MATERIAL 1 2		CUSTOMER DRAWING	SCALE 2:1 SHEET 3 OF 4 REV A

4

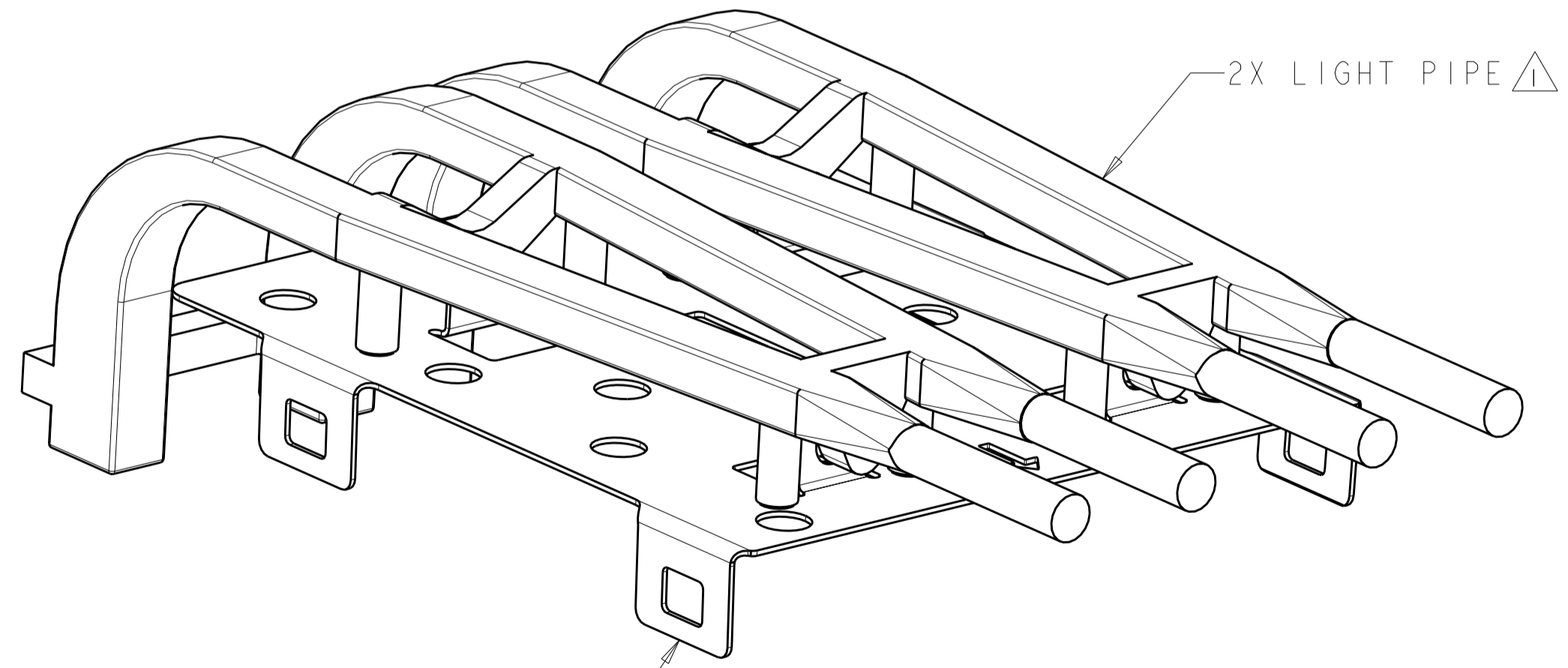
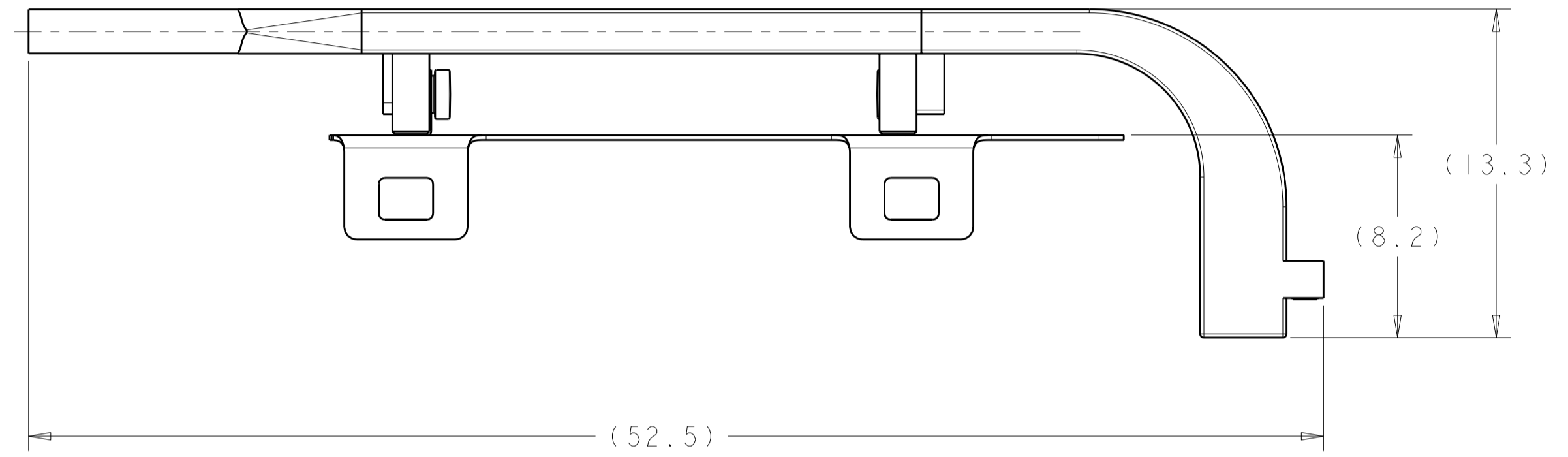
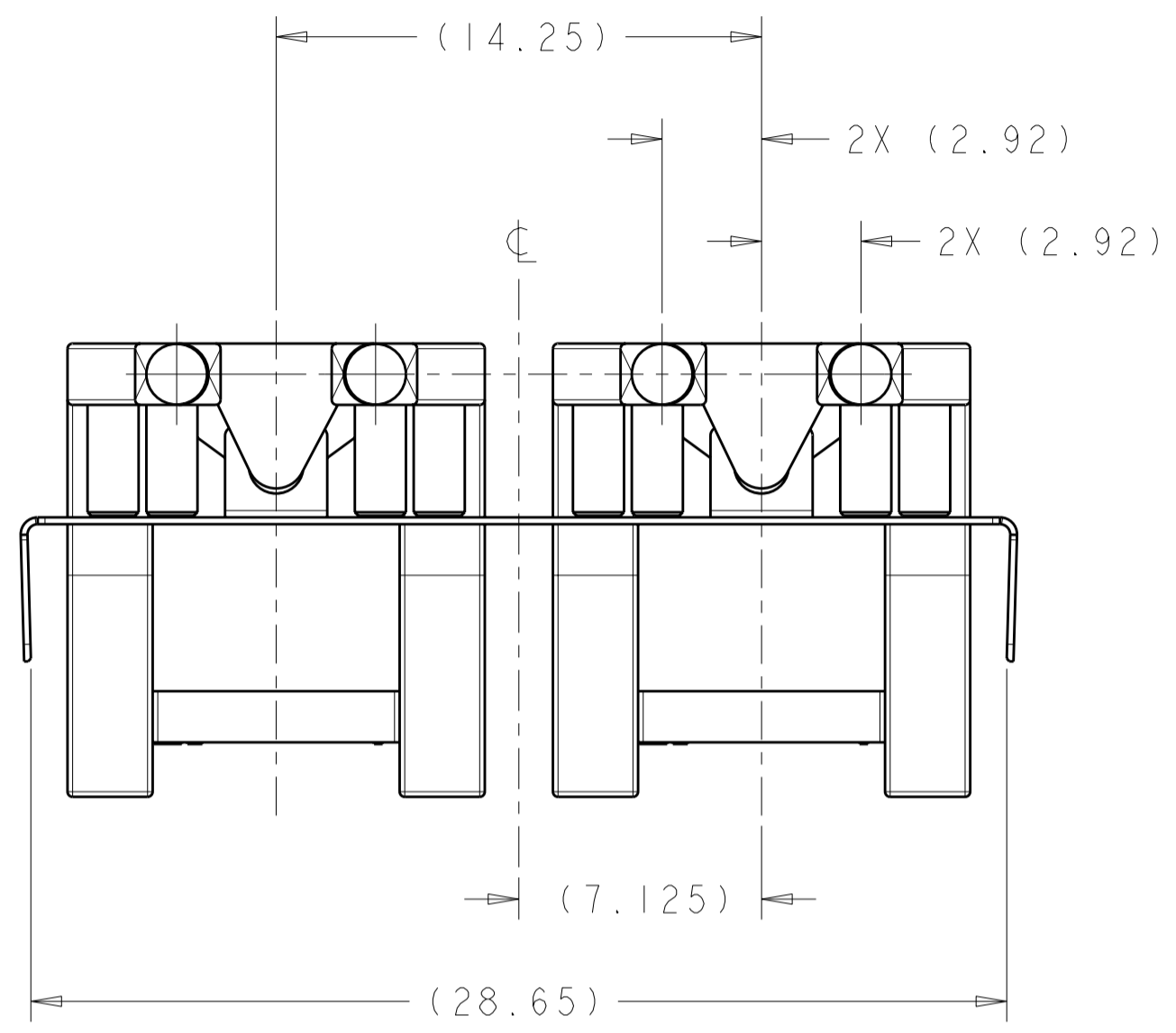
3

2

1

THIS DRAWING IS UNPUBLISHED. RELEASED FOR PUBLICATION 20  
 © COPYRIGHT 20 BY TYCO ELECTRONICS CORPORATION. ALL RIGHTS RESERVED.

LOC		DIST		REVISIONS			
P	LTR	DESCRIPTION	DATE	DWN	APVD		
-	-	SEE SHEET 1	-	-	-		



1X2 LIGHT PIPE BRACKET  
 2007182-4

<small>THIS DRAWING IS A CONTROLLED DOCUMENT FOR TYCO ELECTRONICS CORPORATION. IT IS SUBJECT TO CHANGE AND THE CONTROLLING ENGINEERING ORGANIZATION SHOULD BE CONTACTED FOR THE LATEST REVISION.</small>		DWN M.E.COWHER 14 JUN 2007 CHK M.J.PHILLIPS 14 JUN 2007 APVD M.J.PHILLIPS 14 JUN 2007	<b>Tyco Electronics</b> Tyco Electronics Harrisburg, PA 17105-3608
DIMENSIONS: mm	TOLERANCES UNLESS OTHERWISE SPECIFIED: 0 PLC ± 1 PLC ± 2 PLC ± 3 PLC ± 4 PLC ± ANGLES ± FINISH	PRODUCT SPEC 108-2364 APPLICATION SPEC - WEIGHT - CUSTOMER DRAWING	NAME 1X2 LIGHT PIPE ASSEMBLY, SFP+ SIZE CAGE CODE DRAWING NO RESTRICTED TO A200779 C-2007182 -
SCALE 5:1		SHEET 4 OF 4 REV A	