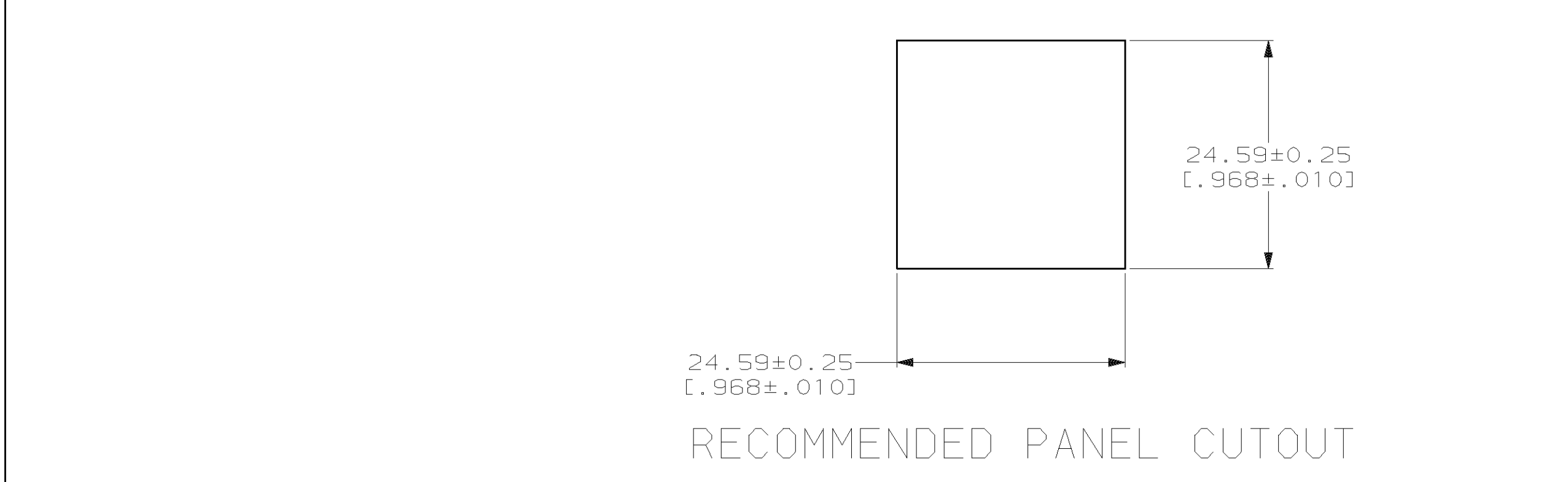
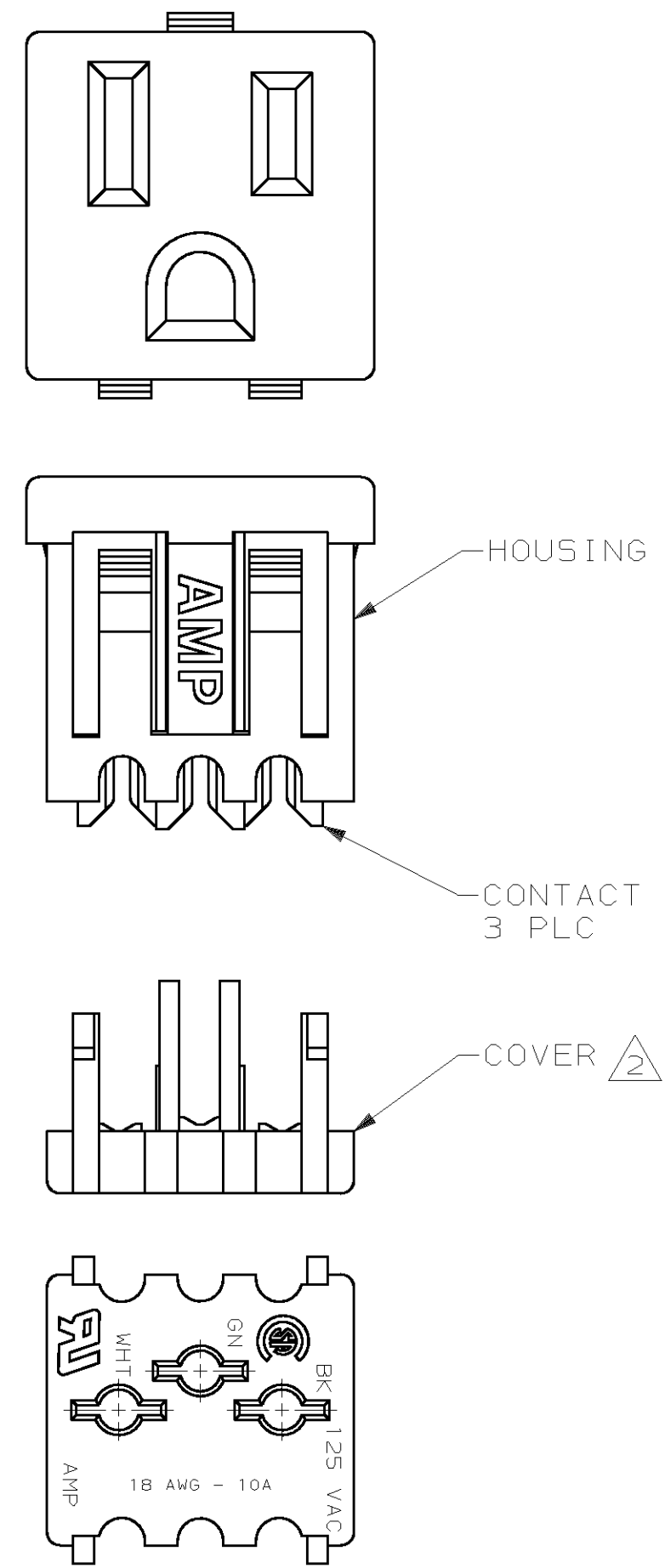
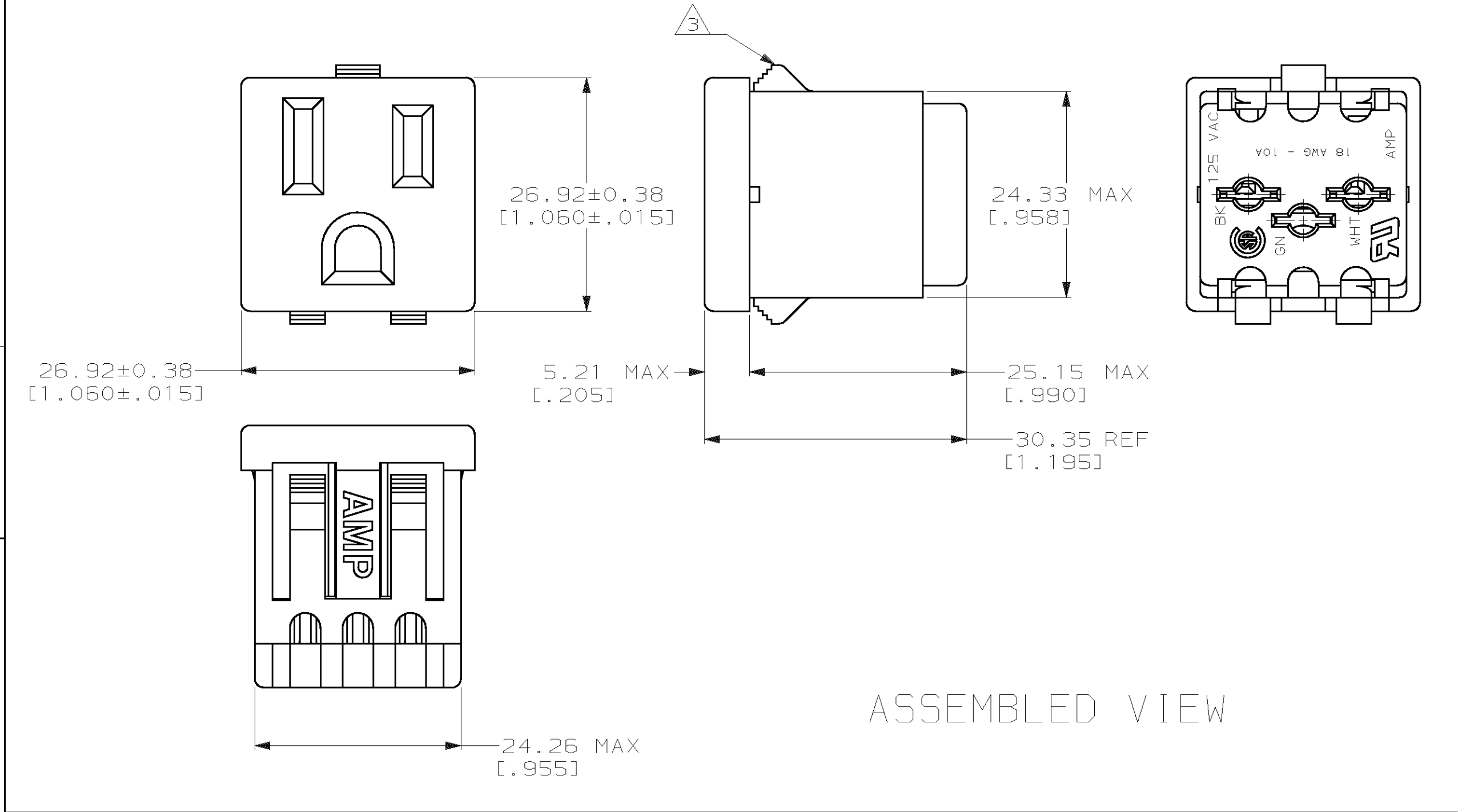


THIS DRAWING IS UNPUBLISHED. RELEASED FOR PUBLICATION, 19 .  
 © COPYRIGHT 19 BY AMP INCORPORATED. ALL INTERNATIONAL RIGHTS RESERVED.

LOC		DIST		ZONE		LTR		REVISIONS		DATE	APPD
CM	47	P	F			M		REVISED PER EC 0G3B-0033-02	31-JAN-02	KW	DB



HOUSING COLOR	PART NO
ORANGE	208697-7
ALMOND	208697-4
BLACK	208697-2

- 1. CONTACTS TO ACCEPT 18 AWG SOLID COPPER WIRE.
- 2. COVER PACKAGED UNASSEMBLED.
- 3. SNAP IN FEATURE ACCOMODATES 0.76-1.78 [.030-.070] PANEL THICKNESS ONLY.

DO NOT SCALE PRINT. UNLESS SPECIFIED DIMENSIONS IN mm [INCHES] TOLERANCES ON : 2 PLC DEC ± - 3 PLC DEC ± - ANGLES ± -		DR 3-9-92 H MOLL CHK 3-10-92 J McCLINTON APPD 3-10-92 D L ROCKER APPD 3-10-92 R EASTON		AMP Incorporated Harrisburg, PA 17105-3608 NAME <b>RECEPTACLE KIT, UNASSEMBLED, WITH COVER, CONVENIENCE OUTLET</b>	
MATERIAL HOUSING: NYLON, SEE TABLE COVER: NYLON, BLACK CONTACTS: BRASS FINISH -		PRODUCT SPEC - APPLICATION SPEC - WEIGHT -			