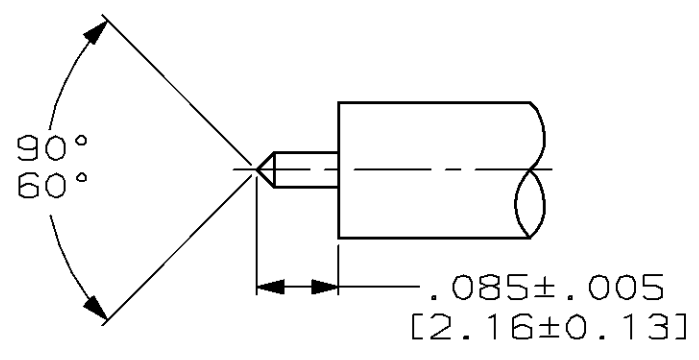
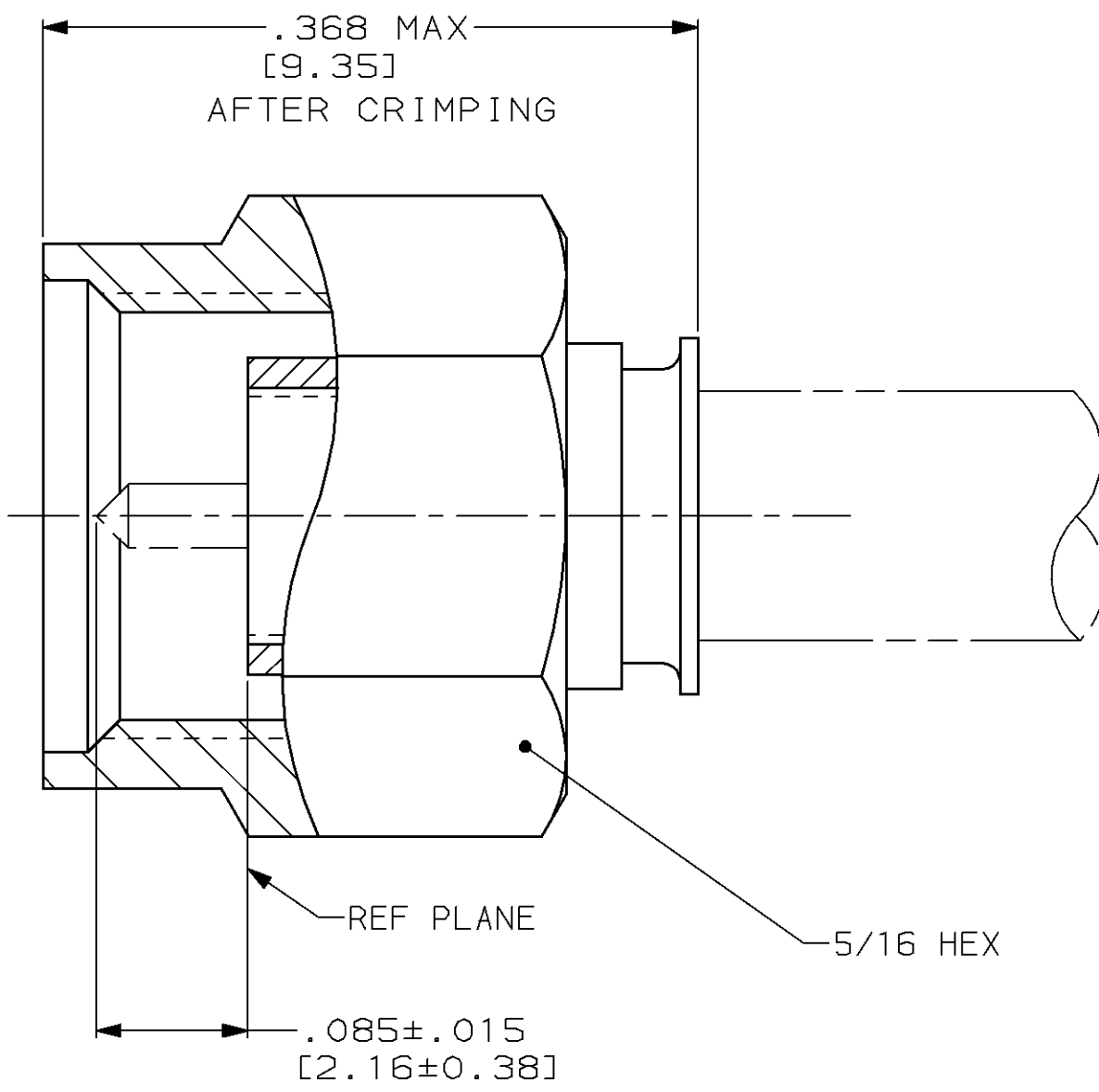
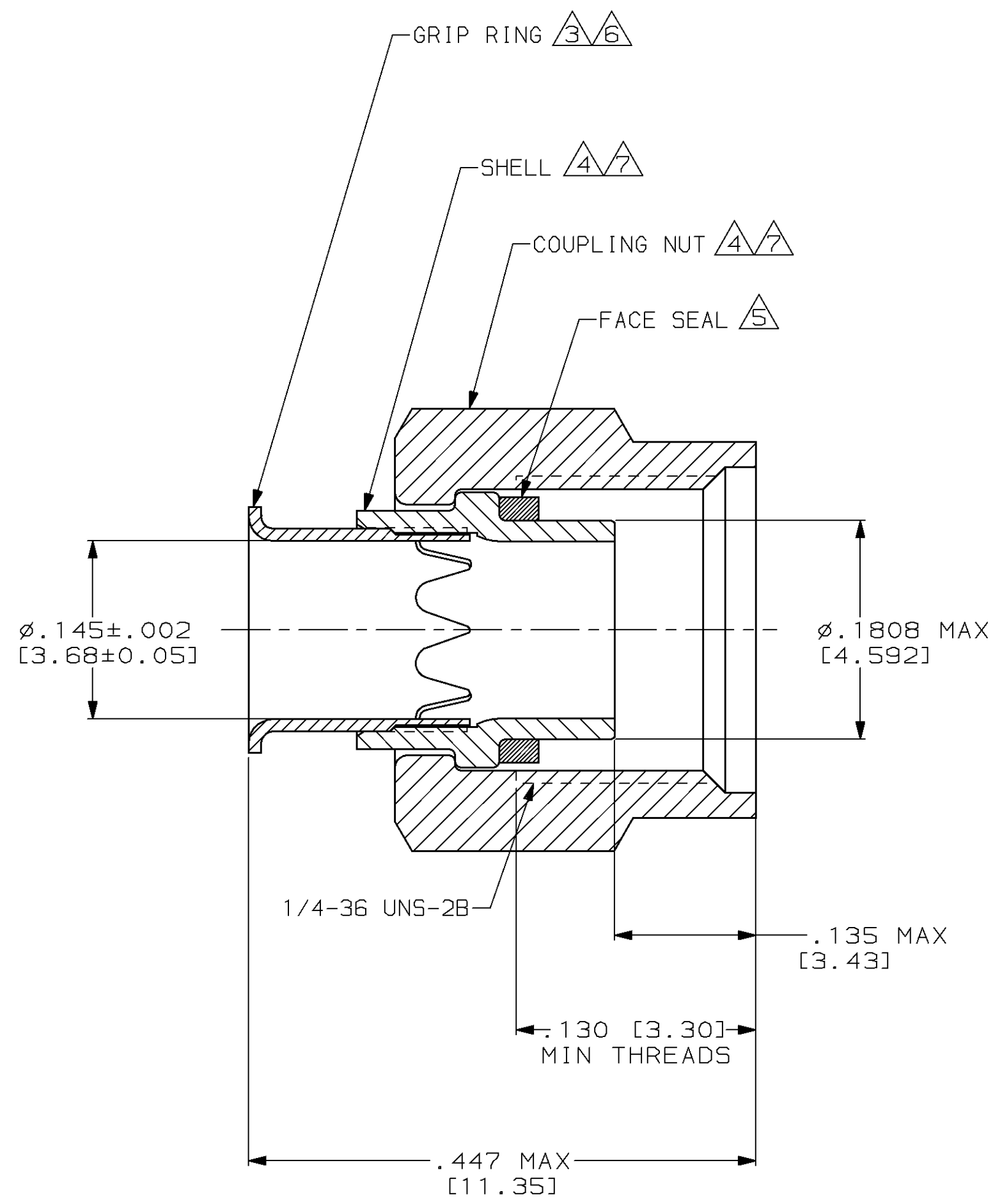


LOC	DIST	P	F	ZONE	LTR	DESCRIPTION	DATE	APPD
AJ	16				G	REV PER 0630-0431-98	28OCT98	MO



RECOMMENDED STRIP LENGTH  
SCALE 5:1



1. FOR USE WITH RG-402/U, .141 [3.58] SEMI-RIGID CABLE.
2. SEE I.S. 6788.
3. BRASS PER ASTM-B-36
4. STAINLESS STEEL PER ASTM-A-582
5. SILICONE RUBBER PER ZZ-R-765
6. NICKEL PLATE PER QQ-N-290.
7. PASSIVATION PER ASTM A967
8. .500 [12.70] MIN LENGTH OF STRAIGHT CABLE REQUIRED TO APPLY THE CONNECTOR.

DO NOT SCALE PRINT. UNLESS SPECIFIED DIMENSIONS IN INCHES [mm] TOLERANCES ON: 2 PLC DEC ± - 3 PLC DEC ± - ANGLES ± -	DR 8-2-93 C.C.THOMAS	AMP Incorporated Harrisburg, PA 17105-3608		
	CHK 8-17-93 J.CABARLO			
MATERIAL SEE CALLOUTS	APPD 8-17-93 J.CABARLO	NAME  PLUG, SERIES SMA, RF		
FINISH SEE CALLOUTS	APPD 8-17-93 C.C.THOMAS			
	PRODUCT SPEC 108-12055	SIZE C	CAGE CODE 00779	DRAWING NO G=227531-5
	APPLICATION SPEC -	SCALE 10:1	SHEET 1 OF 1	
	WEIGHT .063 OZ			

THIS DRAWING IS A CONTROLLED DOCUMENT FOR AMP INCORPORATED. IT IS SUBJECT TO CHANGE AND THE CONTROLLING ENGINEERING ORGANIZATION SHOULD BE CONTACTED FOR THE LATEST REVISION.