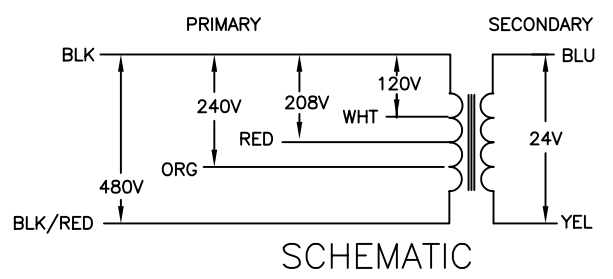
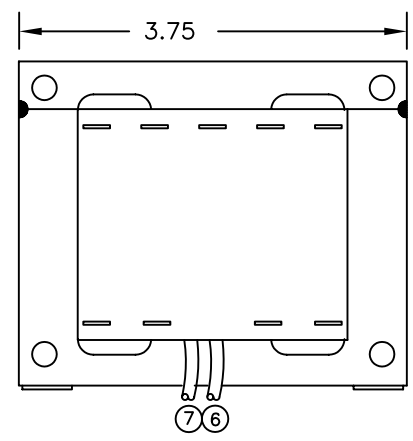
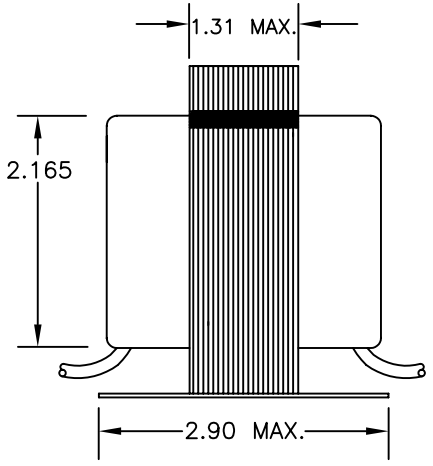
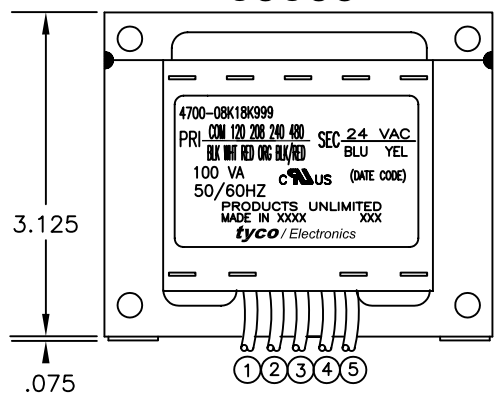


PRIMARY						SECONDARY				
LEAD NO.	1	2	3	4	5	LEAD NO.	6	7	8	9
VOLTAGE	COM	120	208	240	480	VOLTAGE	24	VAC		
COLOR	BLK	WHT	RED	ORG	BLK/RED	COLOR	BLU	YEL		
LENGTH	12.0	12.0	12.0	12.0	12.0	LENGTH	12.0	12.0		
STRIP LENGTH	.50	.50	.50	.50	.50	STRIP LENGTH	.50	.50		

NOTES:
 1. DIMENSIONS FOR REFERENCE ONLY.
 2. WINDING PROTECTION-NONE

CERTIFICATION:UL/CUL FILE NO E102980



THIS DRAWING IS A CONTROLLED DOCUMENT.		DWN: M. DAVIS 11MAR04	TYCO PART NUMBER 1-1611475-2	
DIMENSIONS: INCHES		CHK: DH 11MAR04	Tyco Electronics Corporation Harrisburg, PA 17105-3608	
TOLERANCES UNLESS OTHERWISE SPECIFIED: 0 PLC ±- 1 PLC ±- 2 PLC ±- 3 PLC ±- 4 PLC ±- ANGLES ±-		APVD: HT 11MAR04	NAME: TRANSFORMER OUTLINE P.U. STOCK	
MATERIAL: -	FINISH: -	PRODUCT SPEC: -	SIZE: A3	RESTRICTED TO: -
CUSTOMER DRAWING		APPLICATION SPEC: -	CAGE CODE: 00779	DRAWING NO: 4700-08K18K999
		WEIGHT: -	SCALE: 1:1	SHEET: 1 OF 1