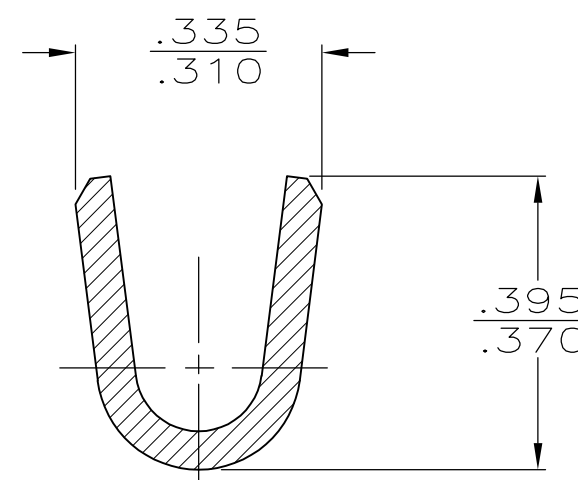
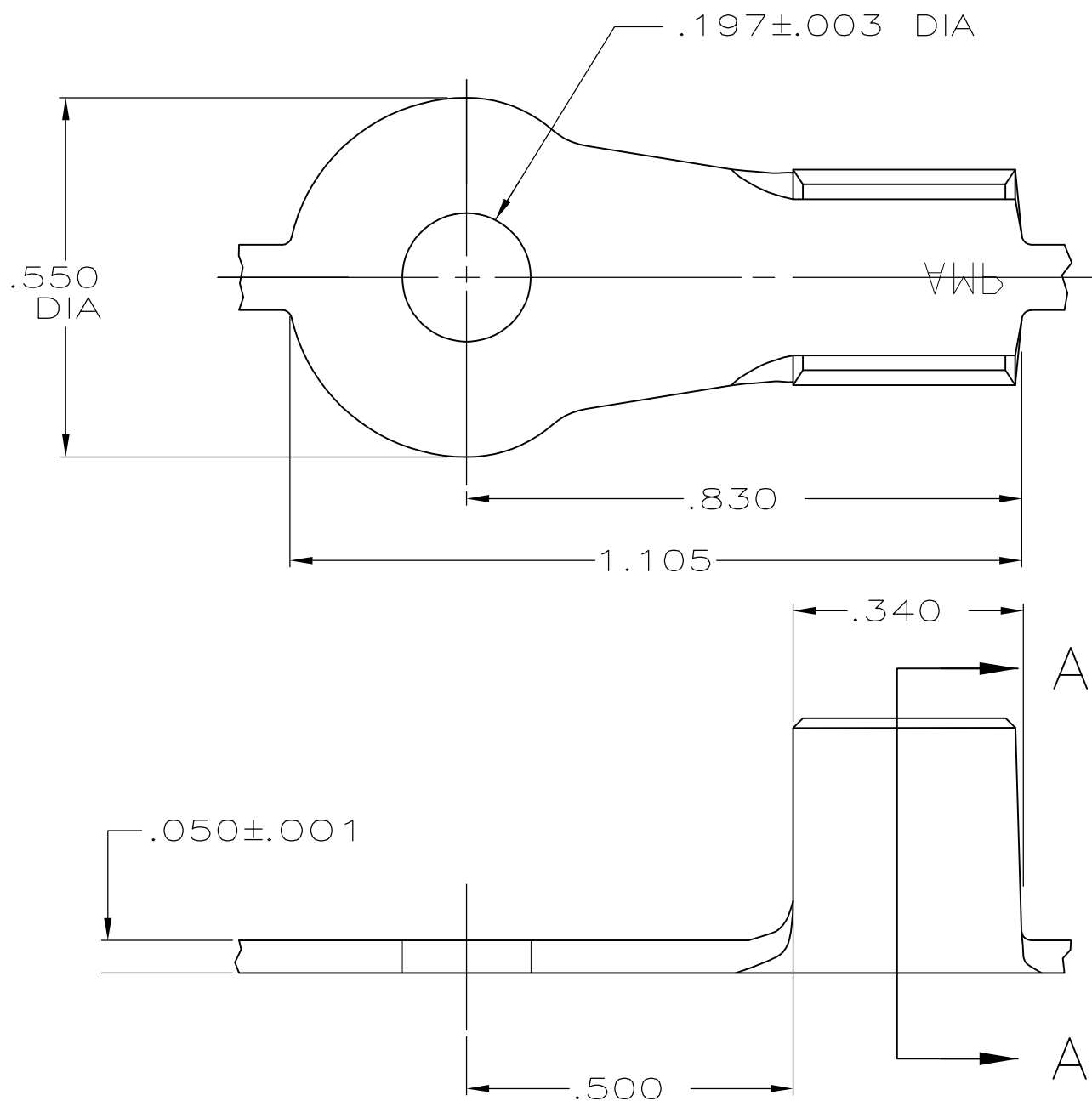


THIS DRAWING IS UNPUBLISHED. RELEASED FOR PUBLICATION
 © COPYRIGHT BY TYCO ELECTRONICS CORPORATION. ALL INTERNATIONAL RIGHTS RESERVED.

LOC	DIST	REVISIONS					
AF	50	P	LTR	DESCRIPTION	DATE	DWN	APVD
				C1 REVISED PER ECR-09-000368	20JAN09	HMR	DD

1 CONTINUOUS STRIP ON REELS



SECTION A-A

OBSOLETE	10-6	---	485015-2
		TIN PL	485015-1
	WIRE RANGE	FINISH	PART NO

THIS DRAWING IS A CONTROLLED DOCUMENT.		DWN	P FORTNEY	18JAN88	Tyco Electronics Corporation			
DIMENSIONS: INCHES		CHK	G YETTER	28JAN88	Harrisburg, PA 17105-3608			
TOLERANCES UNLESS OTHERWISE SPECIFIED:		APVD	G YETTER		RING			
0 PLC ± - 1 PLC ± - 2 PLC ± - 3 PLC ± .015 4 PLC ± - ANGLES ± -		PRODUCT SPEC	-		SIZE	CAGE CODE	DRAWING NO	RESTRICTED TO
MATERIAL T1 BRASS		FINISH	SEE TABLE		WEIGHT	-		-
CUSTOMER DRAWING				SCALE	4:1	SHEET	1 OF 1	REV C1