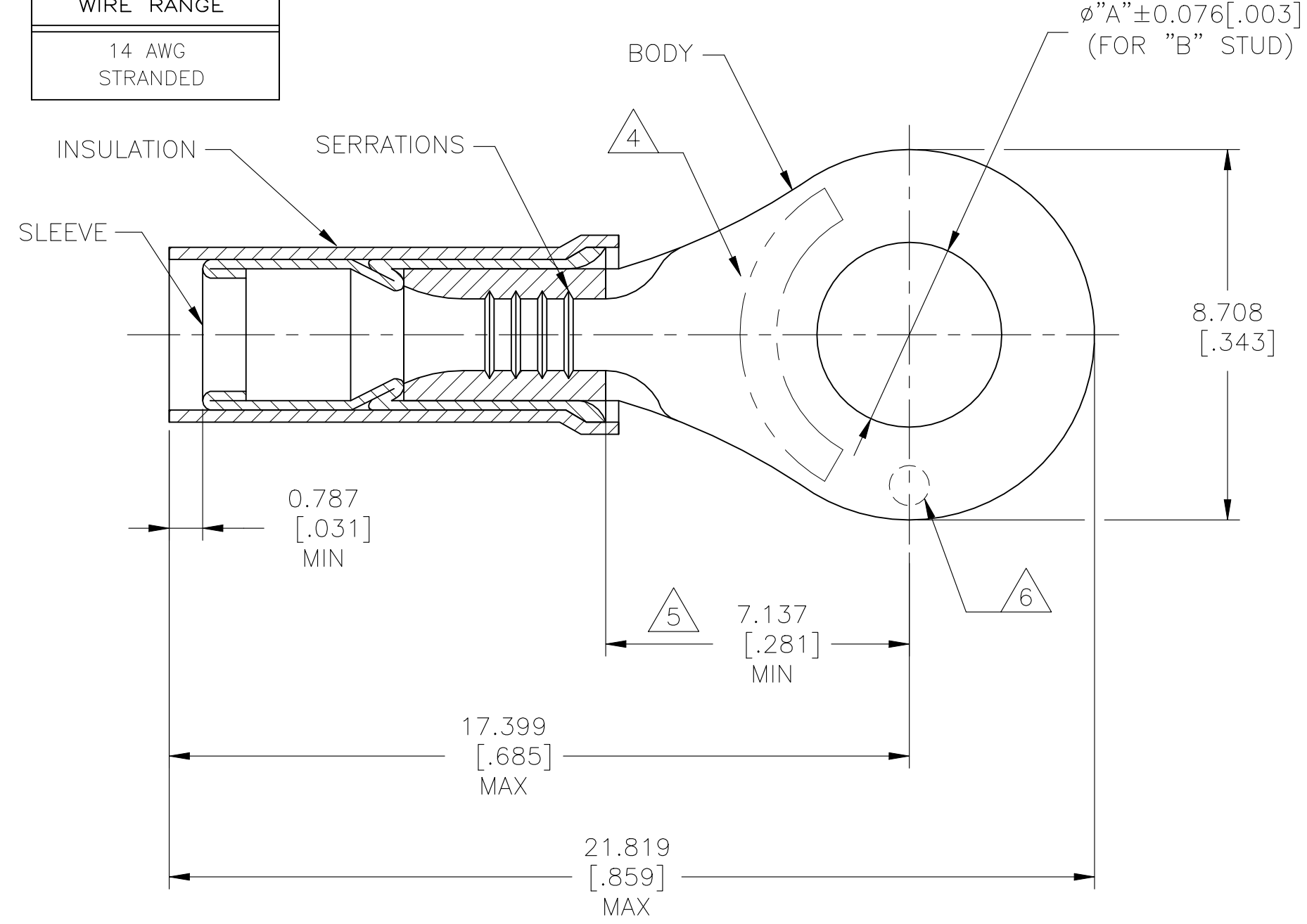


© - TE Connectivity. All Rights Reserved.

REVISIONS				
P	LTR	DESCRIPTION	DATE	APVD
	K	REVISED PER ECR-23-181664	02AUG2023	AP DSC

**AMP**  
WIRE RANGE

14 AWG  
STRANDED



**1 MATERIAL:**  
BODY & SLEEVE - COPPER PER ASTM B152  
INSULATION - PTFE PER ASTM D4895

**FINISH:**  
BODY - NICKEL PLATE 0.00762 [.00030]  
AVG EXT THK PER SAE AMS-QQ-N-290  
SLEEVE - NICKEL PLATE 0.001651 [.000065]  
AVG EXT THK PER SAE AMS-QQ-N-290  
INSULATION COLOR - WHITE

**2 FOR 2.032 [.080] TO 3.810 [.150]**  
WIRE INSULATION DIA.

**3 BODY MATERIAL THK: 0.787 ± 0.051 [.031 ± .002]**

**4 STAMP "AMP 14" APPROX AS SHOWN**

**5 DIMENSION APPLIES FROM EDGE OF METAL WIRE BARREL TO CENTER OF STUD HOLE**

**6 DIMPLE STAMP MARK OPTIONAL**

1000	LOOSE PIECE	5.004 [.197]	#10	50840-1
1000	LOOSE PIECE	4.343 [.171]	M4 [#8]	50840
QTY	PACKAGE TYPE	"A"	"B"	PART NO.

<b>AMP INCORPORATED CUSTOMER SERVICE SYSTEMS</b>		MAX RECOMMENDED OPERATING TEMPERATURE: 288°C [550°F]	THIS DRAWING IS A CONTROLLED DOCUMENT.		DWN 13OCT2015 NAGALAKSHMI K	<b>STE</b> TE Connectivity					
FOR ADDITIONAL PRODUCT INFORMATION OR COPIES OF DRAWINGS AND TECHNICAL DOCUMENTS	PRODUCT INFORMATION CENTER 1-800-522-6752	VOLTAGE RATING: 300V MAX	DIMENSIONS: mm [INCHES]	TOLERANCES UNLESS OTHERWISE SPECIFIED:	CHK 13OCT2015 MERCURIO MAURIZIO					NAME TERMINAL, RING TONGUE, PIDG, STRATO-THERM, WIRE SIZE: 14 AWG	
FOR APPLICATION TOOLING INFORMATION	TOOLING ASSISTANCE CENTER 1-800-722-1111	CIRCULAR MIL AREA: 2.15mm² [4,234] STRANDED WIRE ONLY		0 PLC ± - 1 PLC ± - 2 PLC ± - 3 PLC ± 0.127 [.005] 4 PLC ± - ANGLES ± -	APVD 13OCT2015 MERCURIO MAURIZIO	PRODUCT SPEC	APPLICATION SPEC	SIZE	CAGE CODE	DRAWING NO	RESTRICTED TO
FOR ORDER ENTRY	1-800-526-5142		MATERIAL	FINISH			114-2162	A3	00779	C-50840	
CUSTOMER DRAWING						SCALE	NTS	SHEET	1 OF 1	REV	K