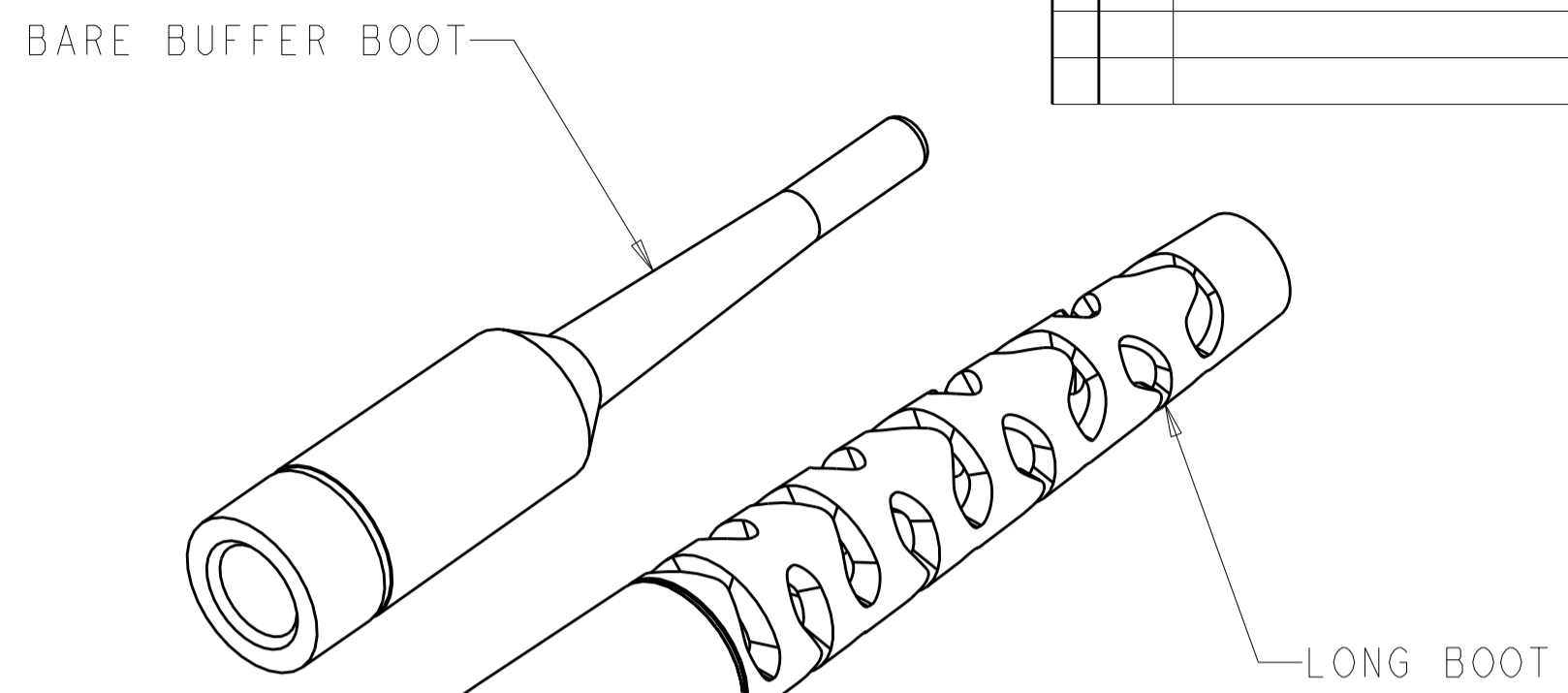


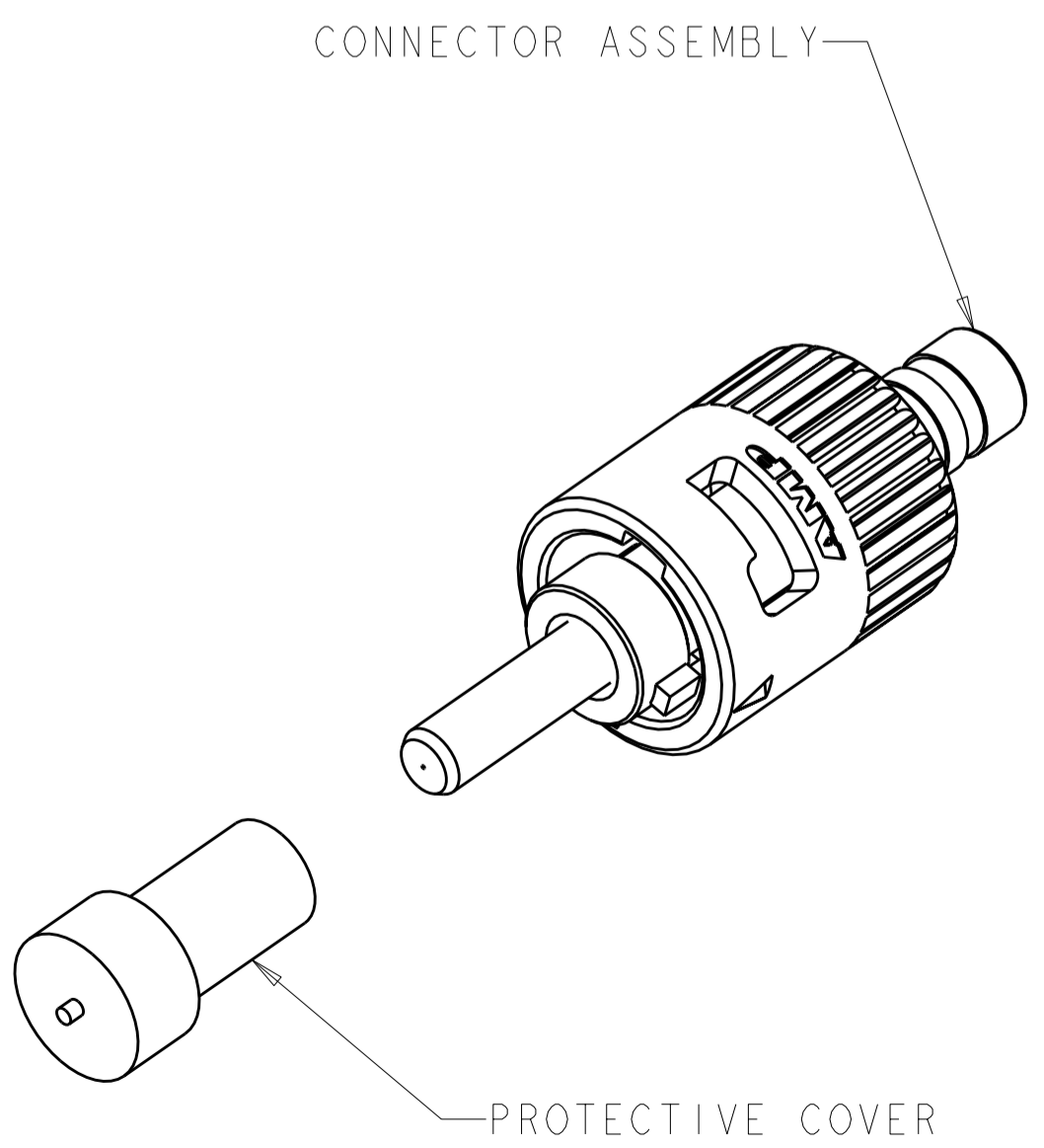
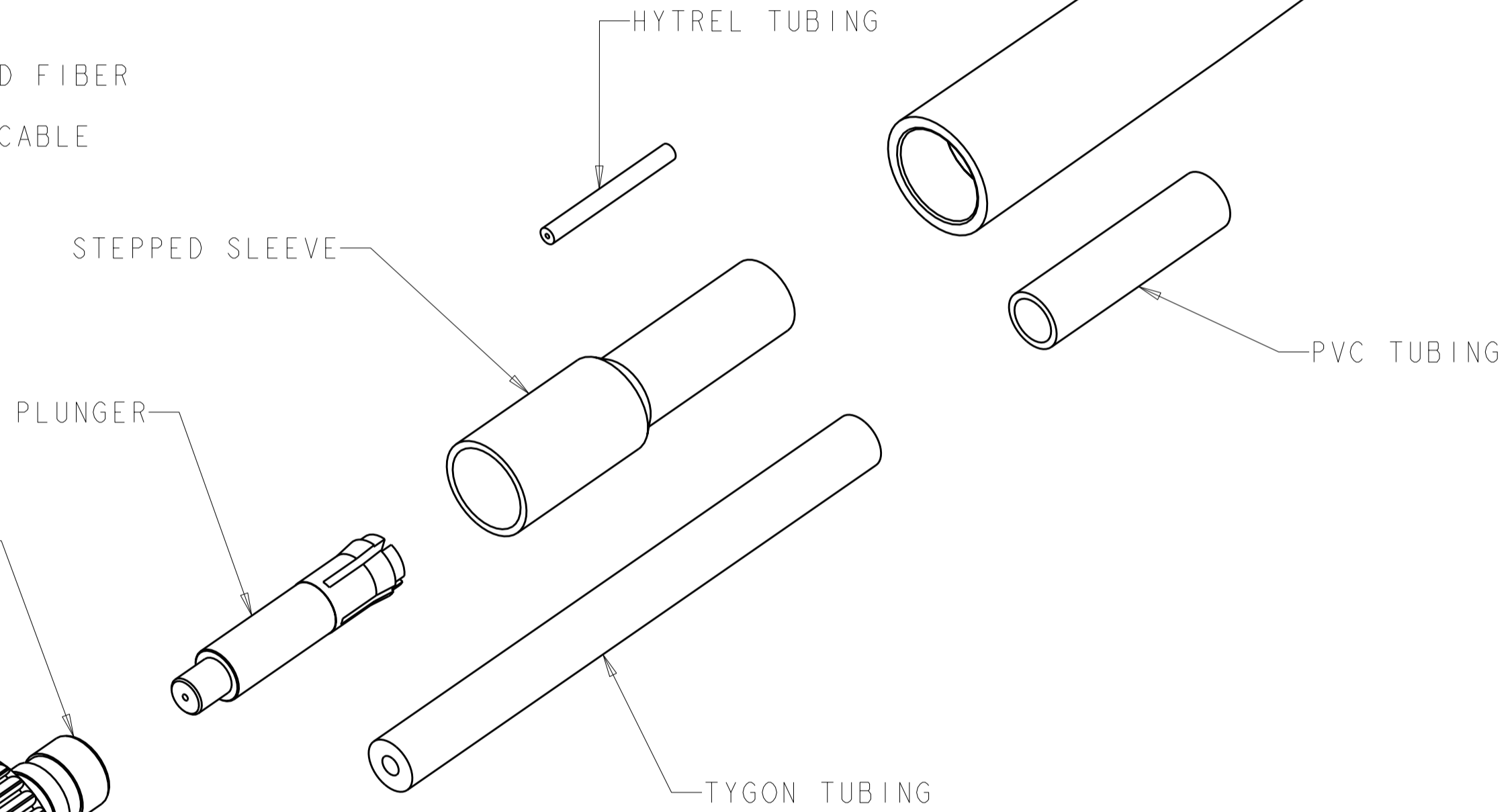
THIS DRAWING IS UNPUBLISHED. RELEASED FOR PUBLICATION 20  
 © COPYRIGHT 20 BY TYCO ELECTRONICS CORPORATION. ALL RIGHTS RESERVED.

LOC		DIST		REVISIONS			
P	LTR	DESCRIPTION	DATE	DWN	APVD		
	A	RELEASE TO ACTIVE	08JUN2006	BB	LS		

⚠ MATERIAL:  
 CONNECTOR ASSY  
 REAR BODY: ALUMINUM ALLOY  
 PLUNGER: ALUMINUM ALLOY  
 FERRULE: CERAMIC  
 COUPLING NUT: ZINC, NICKEL PLATED  
 INTERNAL COMPONENTS: RUBBER, COLOR: BLACK  
 SPRING: STAINLESS STEEL  
 FRONT PROTECTIVE COVER: LDPE, COLOR: BLACK, NON-FR  
 CRIMP EYELET: COPPER, NICKEL PLATED  
 POLYMER TUBING: TYGON, COLOR: CLEAR  
                   HYTREL, COLOR: WHITE  
                   PVC, COLOR: BLACK  
 STRAIN RELIEF: POLYOLEFIN ELASTOMER, COLOR: BLACK, NON-FR  
 BOOT: POLYOLEFIN ELASTOMER, COLOR: BLACK\*  
 \*UL94 V-0 RATED AT QUALIFYING THICKNESS.



2. THIS KIT WILL TERMINATE:  
 900um TIGHT BUFFERED FIBER  
 250um COATED FIBER  
 2.0-3.0mm JACKETED CABLE



125um	250um/0.8-1.0mm	5504001-1
FIBER SIZE	BUFFER SIZE	PART NUMBER

THIS DRAWING IS A CONTROLLED DOCUMENT FOR TYCO ELECTRONICS CORPORATION IT IS SUBJECT TO CHANGE AND THE CONTROLLING ENGINEERING ORGANIZATION SHOULD BE CONTACTED FOR THE LATEST REVISION.		DWN B. BRIGGS 20 JUN 2005	Tyco Electronics Harrisburg, PA 17105-3608	
DIMENSIONS: mm		CHK L. SAUERWEIN 20 JUN 2005	NAME CONNECTOR KIT, XTC, 125um, CERAMIC, MULTIMODE	
TOLERANCES UNLESS OTHERWISE SPECIFIED:		APVD S. BUCHTER 20 JUN 2005	RESTRICTED TO	
0 PLC ± 1 PLC ± 2 PLC ± 3 PLC ± 4 PLC ± ANGLES ± FINISH		PRODUCT SPEC - APPLICATION SPEC -	SIZE A2	CAGE CODE 00779
MATERIAL		WEIGHT -	DRAWING NO 5504001	REV A
⚠		CUSTOMER DRAWING		SCALE 4:1 SHEET 1 OF 1