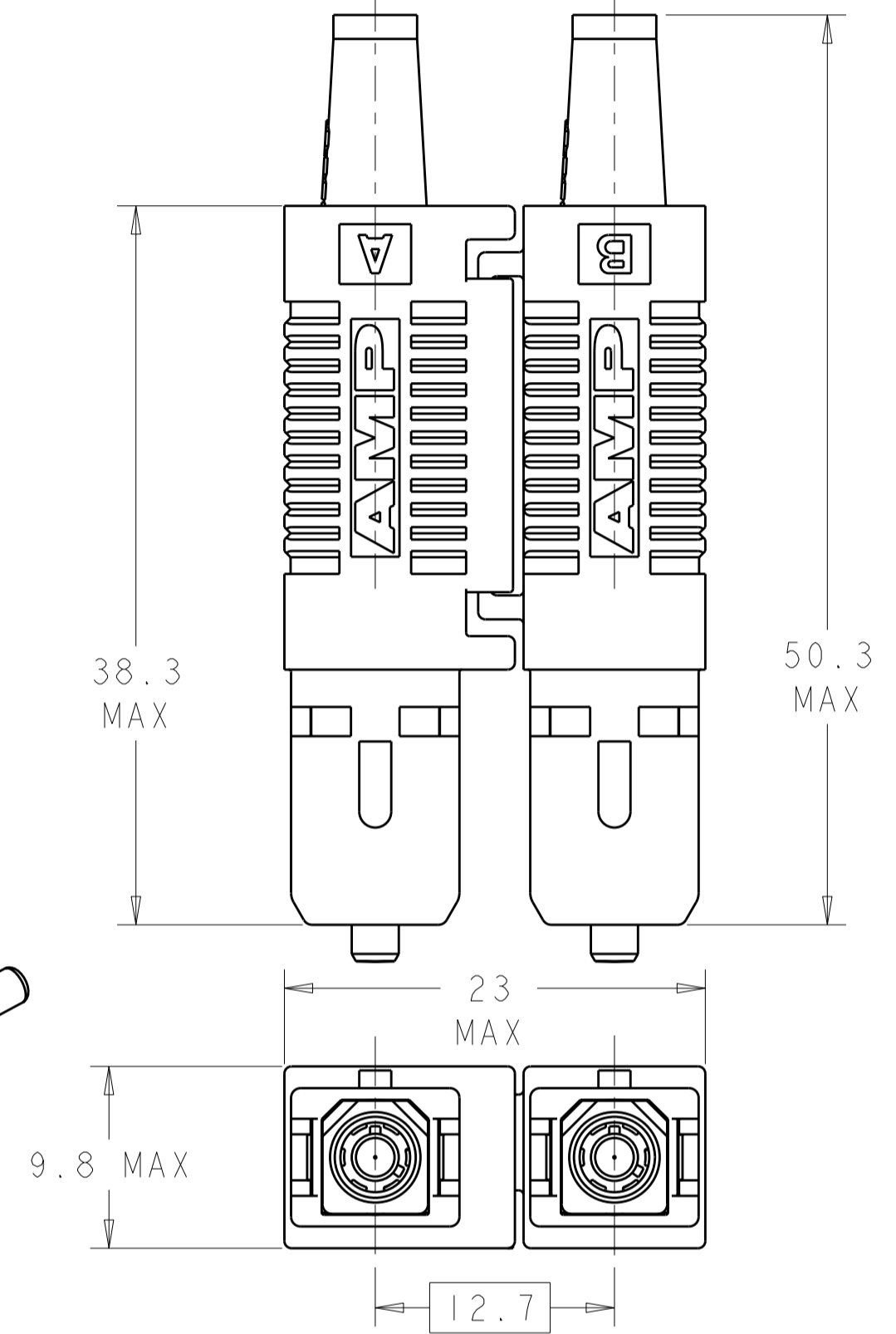
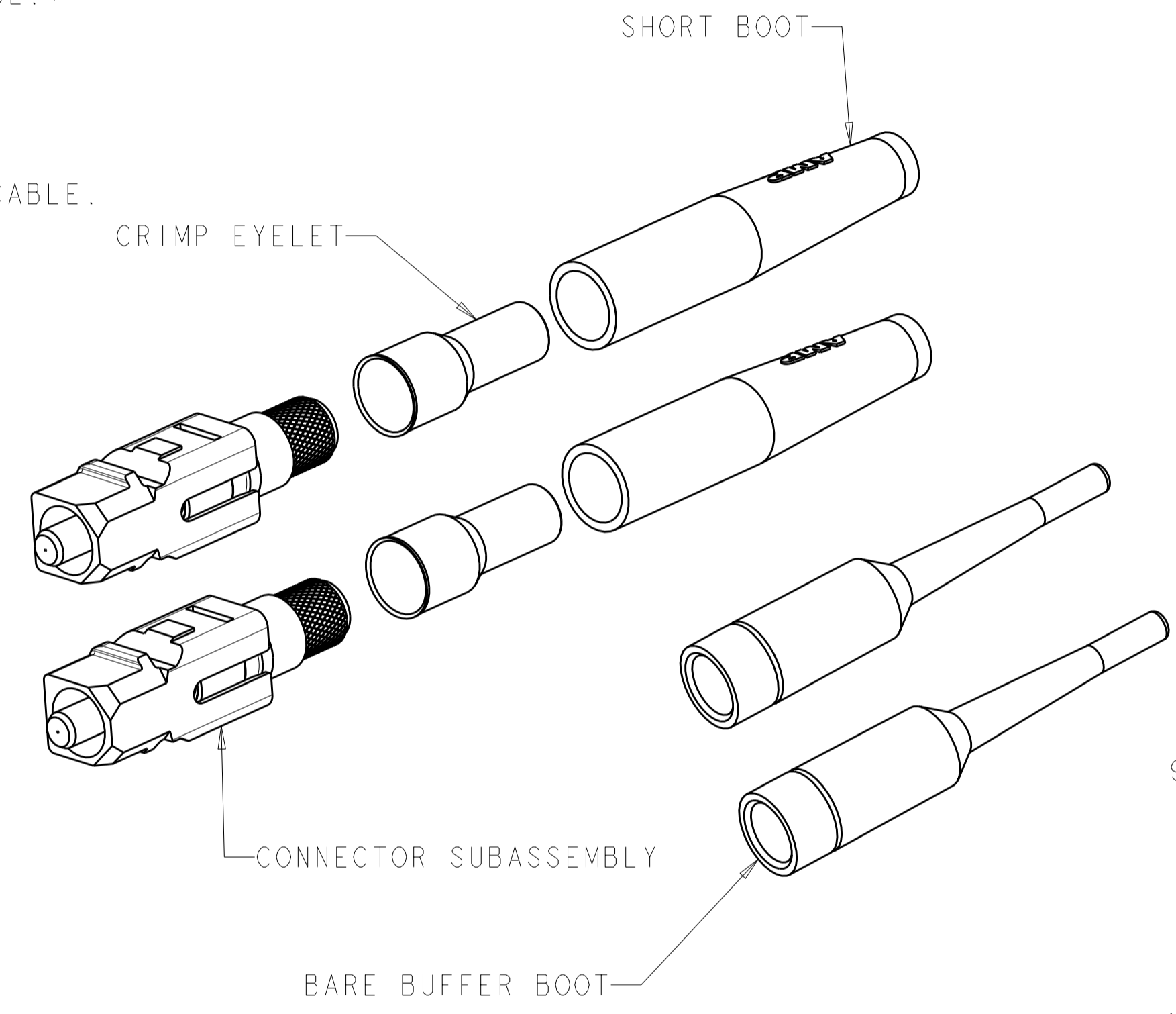
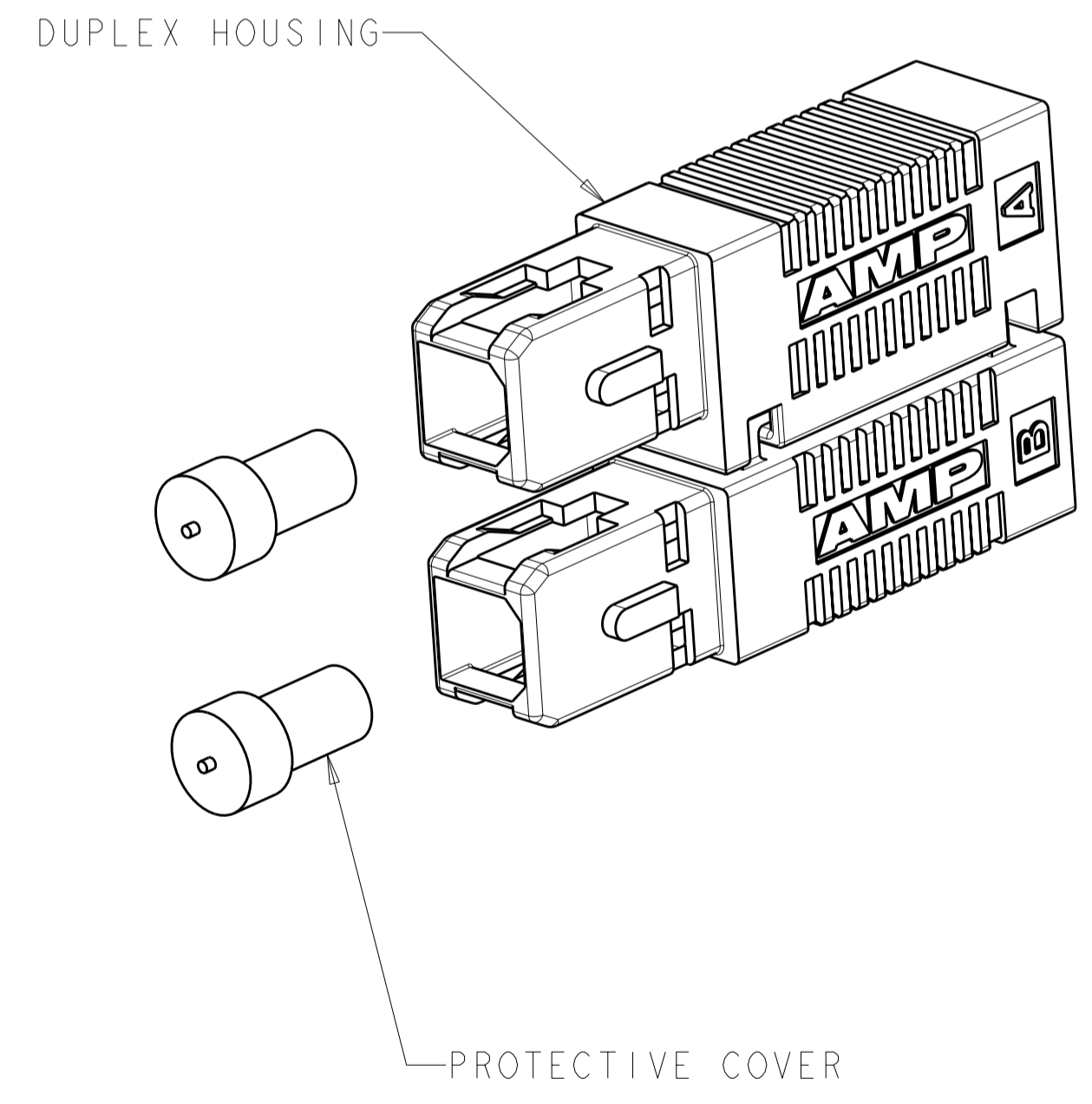


THIS DRAWING IS UNPUBLISHED. RELEASED FOR PUBLICATION 20
 © COPYRIGHT 20 BY TYCO ELECTRONICS CORPORATION. ALL RIGHTS RESERVED.

LOC	DIST	REVISIONS					
CE	00	P	LTR	DESCRIPTION	DATE	DWN	APVD
		A		RELEASE TO ACTIVE	07JUN2006	BB	SM
		B		REVISE PER ECR-07-011930	06JUN2007	BB	SM

1 MATERIAL:
 CONNECTOR HOUSING: PBT-GF17, COLOR: BEIGE.*
 PROTECTIVE COVER: LDPE, COLOR: BLACK, NON-FR.
 CONNECTOR SUBASSEMBLY:
 PLUG BODY: PES-GF20, COLOR: BLUE.*
 FERRULE ASSEMBLY: CERAMIC/PBT-GF17, COLOR: BEIGE.*
 EPOXY FILL TUBING: PTFE, COLOR: CLEAR, UL VW-1 RATED.
 SPRING: STAINLESS STEEL.
 RETAINER BODY: PES-GF20, COLOR: BEIGE.*
 CRIMP EYELET: TIN PLATED COPPER.
 BOOT: TPE, COLOR: SEE TABLE.*
 *UL94 V-0 RATED AT QUALIFYING THICKNESS.

- 2 BULK PACKAGE.
- 3. 3.0mm KIT FOR USE WITH "LOOSE-JACKETED" CABLE.
- 4 NO AMP LOGO.
- 5 CONTAINS NO CRIMP EYELETS.



3.0mm, BLACK	5504657-9
3.0mm, AQUA	5504657-8
NONE	5504657-7
NONE	5504657-6
3.0mm & 900um, BEIGE	5504657-5
3.0mm, BEIGE	5504657-4
NONE	5504657-3
3.0mm, BEIGE	5504657-2
3.0mm, BEIGE	5504657-1
BOOT	PART NUMBER

THIS DRAWING IS A CONTROLLED DOCUMENT FOR TYCO ELECTRONICS CORPORATION. IT IS SUBJECT TO CHANGE AND THE CONTROLLING ENGINEERING ORGANIZATION SHOULD BE CONTACTED FOR THE LATEST REVISION.

DWN	B. BRIGGS	14JUL2005
CHK	S. MILLER	14JUL2005
APVD	S. BUCHTER	14JUL2005

PRODUCT SPEC: -
 APPLICATION SPEC: -
 WEIGHT: -

tyco Tyco Electronics
 Harrisburg, PA 17105-3608

NAME: AMP SC, MULTIMODE CONNECTOR KIT, 900um AND 3.0mm

SIZE	CAGE CODE	DRAWING NO	RESTRICTED TO
A2	00779	5504657	-

CUSTOMER DRAWING SCALE: 3:1 SHEET 1 OF 1 REV B