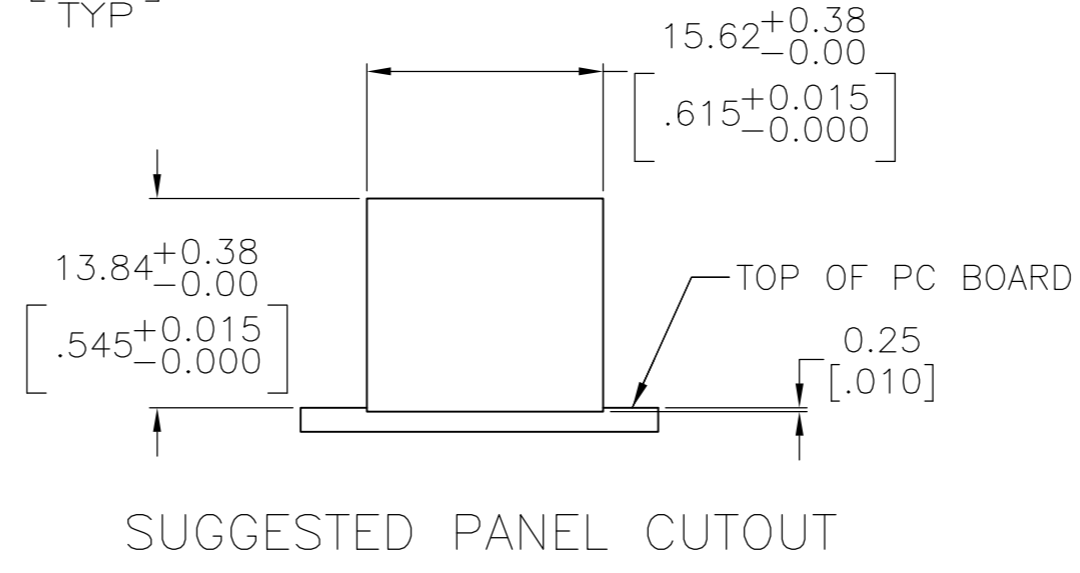
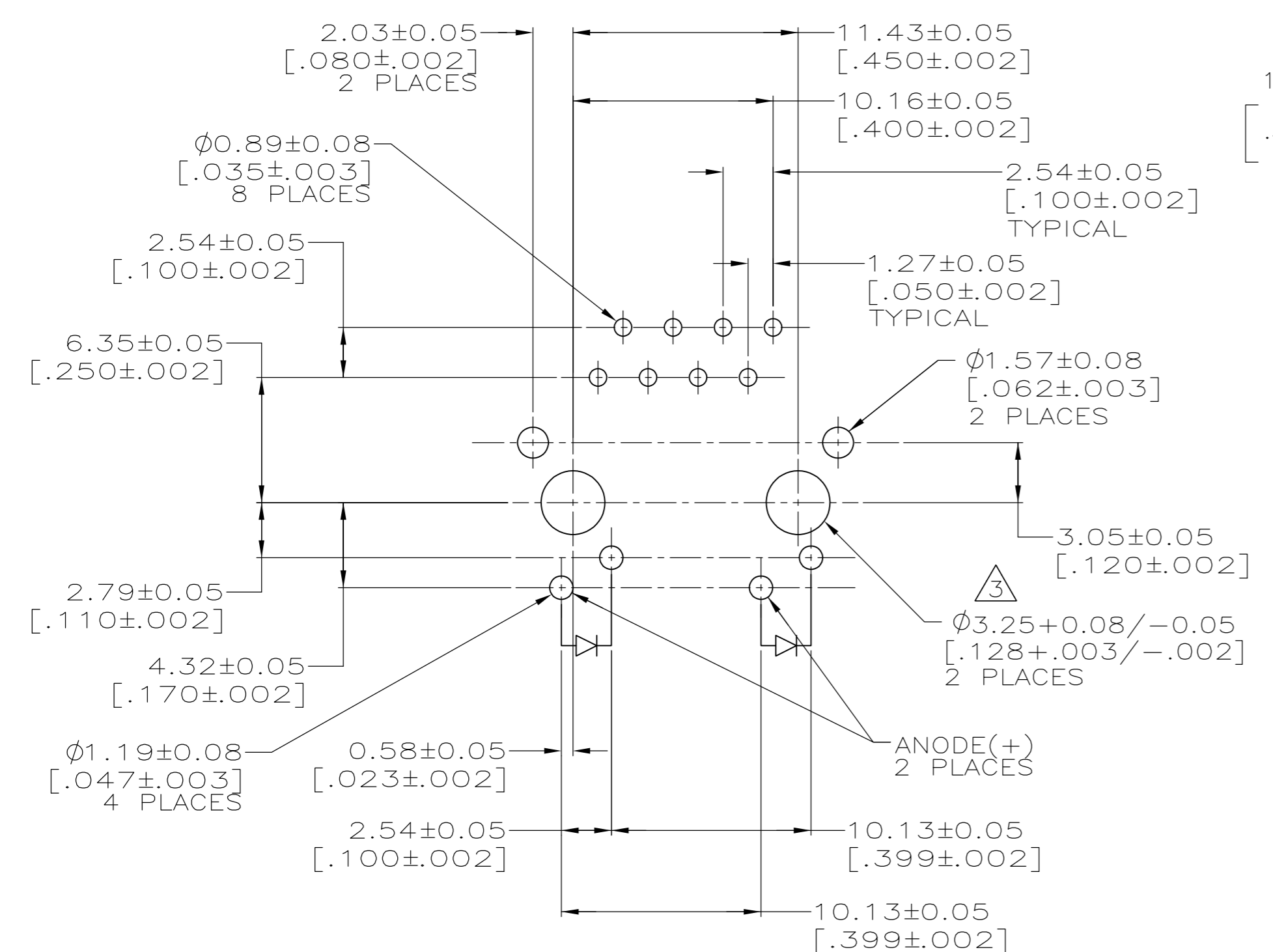
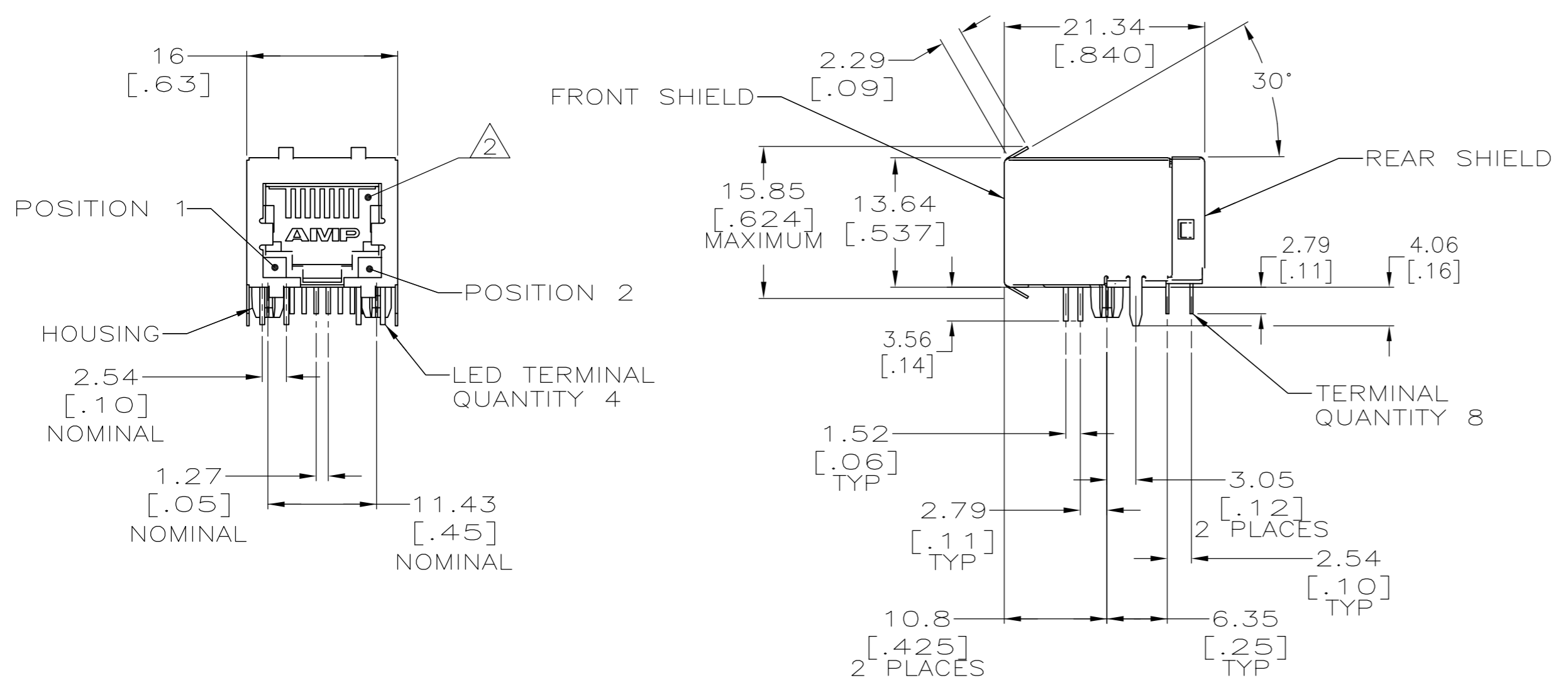


THIS DRAWING IS UNPUBLISHED. RELEASED FOR PUBLICATION
 © COPYRIGHT BY TYCO ELECTRONICS CORPORATION. ALL RIGHTS RESERVED.

LOC		DIST		REVISIONS			
P	LTR	DESCRIPTION		DATE	DWN	APVD	
AA	00	B	ECO-08-001429	18JAN08	LAM	JW	



- MATERIAL: HOUSING - HIGH TEMPERATURE NYLON THERMOPLASTIC, BLACK, UL94V-0. TERMINALS - 0.33[.013] THICK PHOS BRONZE PLATED WITH 1.27µm[.000050] MINIMUM THICK HARD GOLD IN LOCALIZED AREA AND 3.81µm[.000150] MINIMUM THICK MATTE TIN IN SOLDER AREA OVER 1.27µm[.000050] MINIMUM THICK NICKEL UNDERPLATE. SHIELD - 0.254[.010] THICK COPPER ALLOY PLATED WITH 2.03µm[.000080] MINIMUM BRIGHT TIN OVER 1.27µm[.000050] MINIMUM NICKEL. LIGHT EMITTING DIODE (LED) - DIFFUSED EPOXY LENS, 0.51 x 0.51[.020 x .020] CARBON STEEL WIREFRAME LEADS PREPLATED WITH 8.89 µm[.0003500] THICK Sn/Cu OVER 2.03 µm[.000080] THICK Ag OVER 1.02µm[.000040] THICK Cu OVER 3.56 µm[.000140] THICK Ni OVER 1.02µm[.000040] Cu UNDERPLATE
- JACK CAVITY CONFORMS TO FCC RULES AND REGULATIONS, PART 68 SUBPART F.
- USE #30 DRILL BIT OR 3.25mm DRILL BIT WHEN PRODUCING THESE PCB HOLES.
- THIS MODULAR JACK WITH INTEGRATED LEDS IS NOT IR REFLOW SOLDERING PROCESS COMPATIBLE.

YELLOW	GREEN	5569564-5
GREEN	GREEN	5569564-4
GREEN	YELLOW	5569564-1
POSITION 1	POSITION 2	PART NUMBER
LED COLOR		

SUGGESTED PC BOARD LAYOUT
 COMPONENT SIDE
 SCALE 4:1

THIS DRAWING IS A CONTROLLED DOCUMENT.

DIMENSIONS: mm[inches]	TOLERANCES UNLESS OTHERWISE SPECIFIED: 0 PLC ± - 1 PLC ± - 2 PLC ± 0.25[.01] 3 PLC ± 0.13[.005] 4 PLC ± - ANGLES ± - FINISH	DWN L. VARELA - DOCK5 CHK J. WESTMAN APVD S. FLICKINGER PRODUCT SPEC 108-1163 APPLICATION SPEC 114-2154 WEIGHT - CUSTOMER DRAWING	07JUN2005 07JUN2005 07JUN2005 NAME S. FLICKINGER Tyco Electronics Corporation Harrisburg, PA 17105-3608 MODULAR JACK ASSEMBLY, 8 POSITION, RIGHT ANGLE, LOW PROFILE, PANEL GROUND WITH LEDS SIZE A2 CAGE CODE 00779 DRAWING NO C=5569564 RESTRICTED TO - SCALE 2:1 SHEET 1 OF 1 REV B
---------------------------	--	---	--

5569564