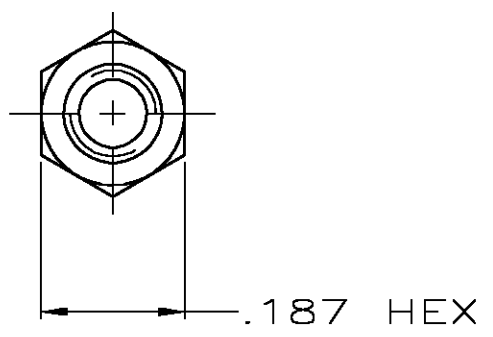
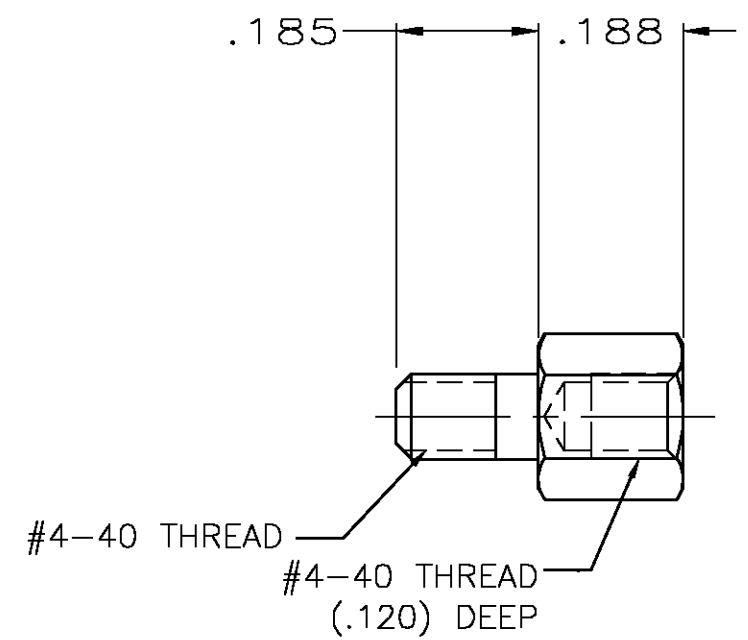


THIS DRAWING IS UNPUBLISHED. RELEASED FOR PUBLICATION
 © COPYRIGHT - BY TYCO ELECTRONICS CORPORATION. ALL RIGHTS RESERVED.

LOC	DIST	REVISIONS			
P	LTR	DESCRIPTION	DATE	DWN	APVD
GP	00	0	RELEASED PER EC 0S13-0207-05	17JUN05	RR JG

1 ZINC PLATED .000200-.000400 THICK CLEAR CHROMATE COATING.



5747877-3
 PART NUMBER

THIS DRAWING IS A CONTROLLED DOCUMENT.		DWN R.RICHARDSON 17JUN05	Tyco Electronics Corporation Harrisburg, Pa 17105-3608				
DIMENSIONS: INCHES		CHK C.ROHDE 17JUN05					
		APVD M.WALMSLEY 17JUN05	NAME SCREWLOCK, FEMALE, SPECIAL, AMPLIMITE				
TOLERANCES UNLESS OTHERWISE SPECIFIED:		PRODUCT SPEC	-				
0 PLC ± - 1 PLC ± - 2 PLC ± - 3 PLC ± .005 4 PLC ± - ANGLES ± -		APPLICATION SPEC	-				
MATERIAL STEEL PER ASTM A108		FINISH 1	WEIGHT -	SIZE A3	CAGE CODE 00779	DRAWING NO C-5747877	RESTRICTED TO -
CUSTOMER DRAWING			SCALE 4:1	SHEET 1 OF 1	REV 0		