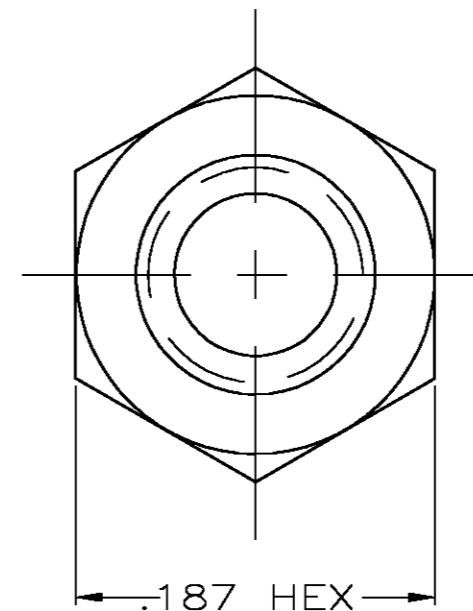
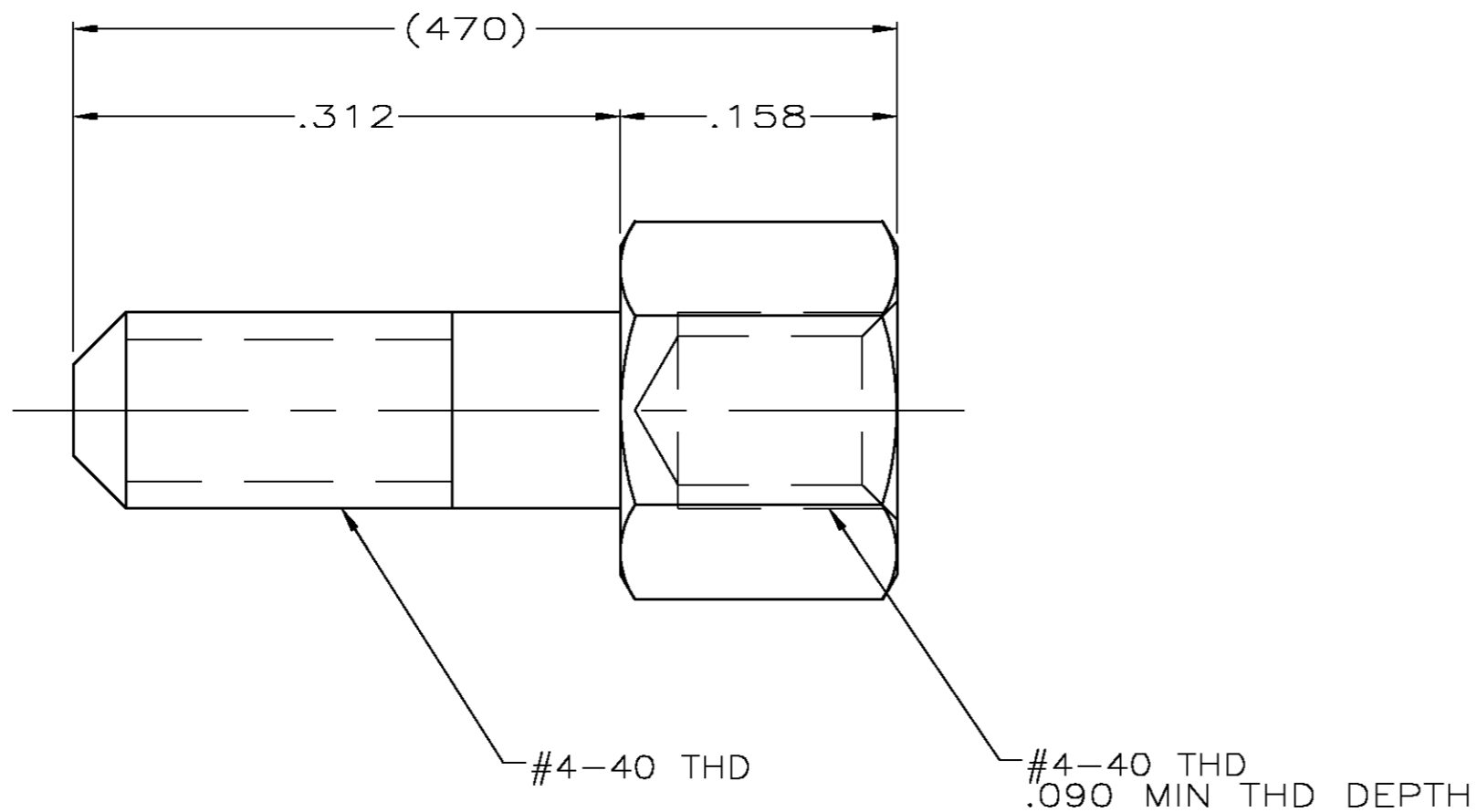


THIS DRAWING IS UNPUBLISHED. RELEASED FOR PUBLICATION
 © COPYRIGHT BY TYCO ELECTRONICS CORPORATION. ALL RIGHTS RESERVED.

LOC	DIST	REVISIONS					
GP	00	P	LTR	DESCRIPTION	DATE	DWN	APVD
		0		RELEASED PER EC 0S13-0207-05	17JUN05	RR	JG

- △1 COLD ROLLED STEEL PER ASTM A108.
- △2 ZINC PLATED .000200-.000400 THICK, YELLOW CHROMATE COATING.



5748270-2
 PART NUMBER

THIS DRAWING IS A CONTROLLED DOCUMENT.		DWN R.RICHARDSON 17JUN05	Tyco Electronics Corporation Harrisburg, Pa 17105-3608
DIMENSIONS: INCHES		CHK C.ROHDE 17JUN05	
TOLERANCES UNLESS OTHERWISE SPECIFIED:		APVD M. WALMSLEY 17JUN05	
0 PLC ± - 1 PLC ± - 2 PLC ± - 3 PLC ± .005 4 PLC ± - ANGLES ± - FINISH		NAME	
MATERIAL		PRODUCT SPEC	SCREWLOCK, FEMALE, SHORT HEAD, .090 PANEL, AMPLIMITE
△1 △2		APPLICATION SPEC	RESTRICTED TO
		WEIGHT -	SIZE A2 CAGE CODE 00779 DRAWING NO C=5748270
		CUSTOMER DRAWING	SCALE 10:1 SHEET 1 OF 1 REV 0