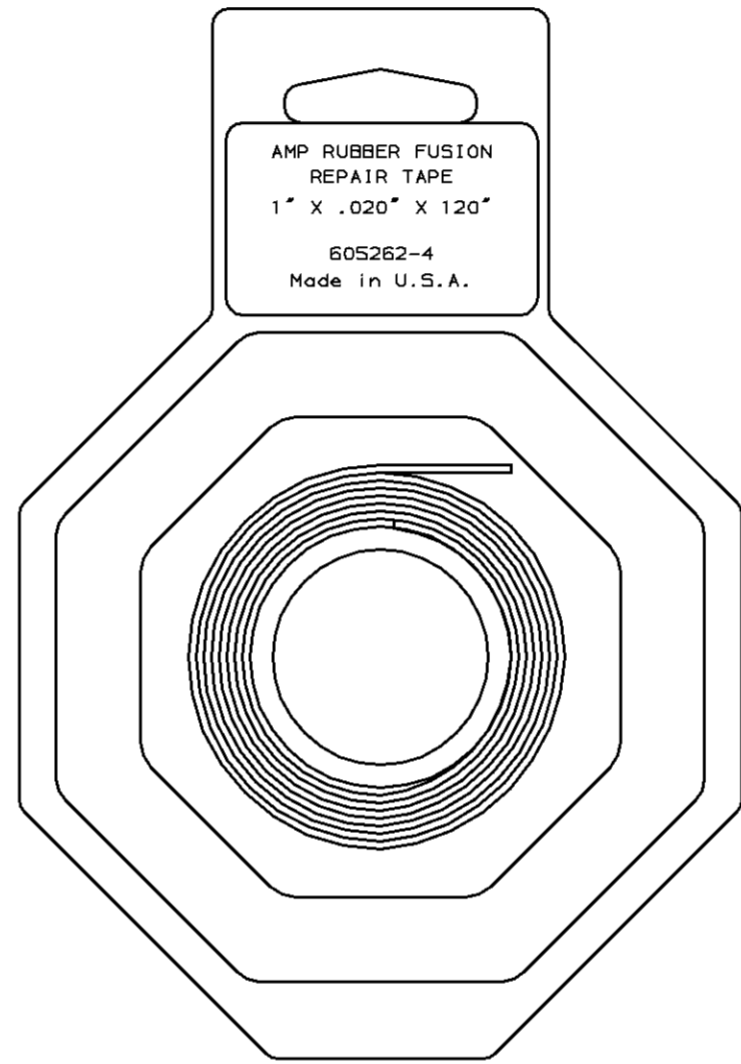
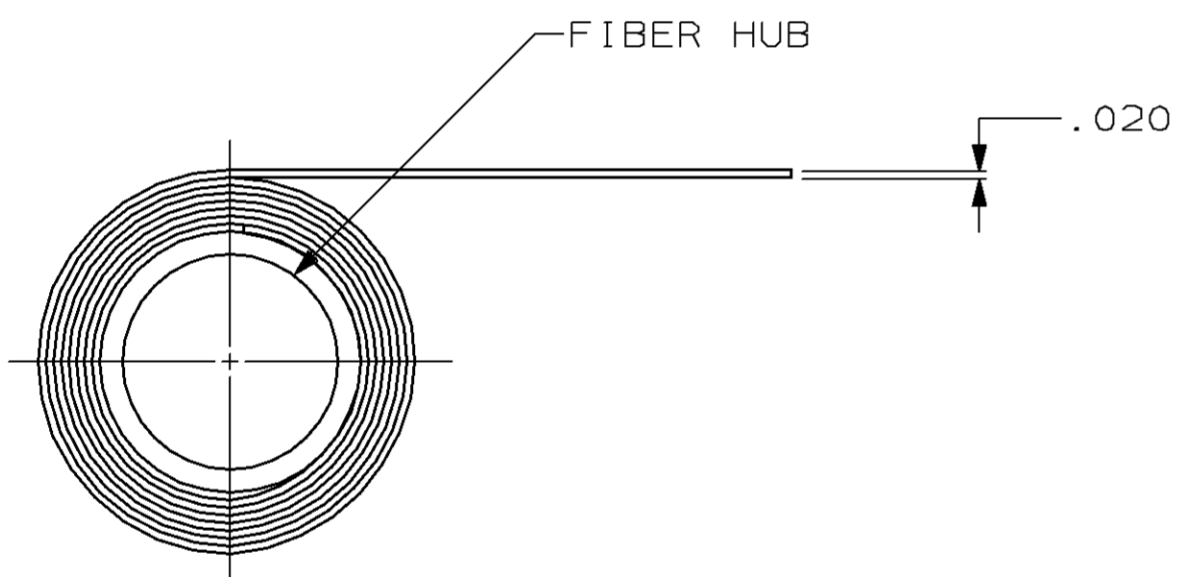
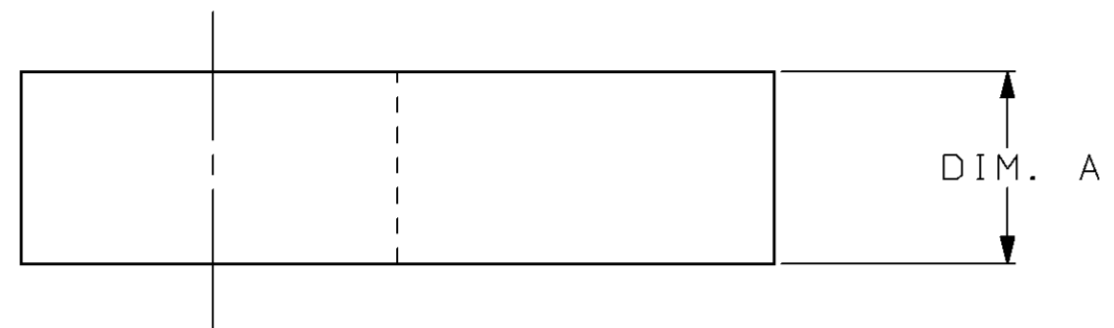


THIS DRAWING IS UNPUBLISHED. RELEASED FOR PUBLICATION, 19 .  
© COPYRIGHT 19 BY AMP INCORPORATED. ALL INTERNATIONAL RIGHTS RESERVED.

LOC	DIST	P	F	ZONE	LTR	REVISIONS	DATE	APPD
EY	25				E	REDRAWN: ADD -4;NPR C94-67 AND EC 0230-0222-94	9-07-94	DD CW

- ① MATERIAL: POLYISOBUTYLENE SELF-AMALGAMATING TAPE, BLACK, .020 THICK.
- ② PACKAGED 1 ROLL PER POLYBAG.
- ③ PACKAGED 1 ROLL PER CLAMSHELL, 5 CLAMSHELLS PER CARTON, SEE FIGURE A.



PACKAGE	LENGTH/ROLL	DIM. A	PART NO
③	3.05M [10 FEET]	25.4 [1.00]	605262-4
②	9.15M [30 FEET]	50.8 [2.00]	605262-2
②	3.05M [10 FEET]	25.4 [1.00]	605262-1

DO NOT SCALE PRINT. UNLESS SPECIFIED DIMENSIONS IN mm [INCHES] TOLERANCES ON : 2 PLC DEC ± - 3 PLC DEC ± - ANGLES ± -	DR 9-07-94 D.L. DRUMMOND	<b>AMP</b> AMP Incorporated Harrisburg, PA 17105-3608		
	CHK 9-21-94 C. WHITT			
MATERIAL ①	APPD 9-27-94 D. KAAT	NAME  TAPE, COLD SHRINK		
	APPD 9-27-94 F. HARNED			
FINISH -	APPLICATION SPEC -	SIZE C	CAGE CODE 00779	DRAWING NO G=605262
	WEIGHT	SCALE NONE	SHEET 1 OF 1	

THIS DRAWING IS A CONTROLLED DOCUMENT FOR AMP INCORPORATED. IT IS SUBJECT TO CHANGE AND THE CONTROLLING ENGINEERING ORGANIZATION SHOULD BE CONTACTED FOR THE LATEST REVISION.