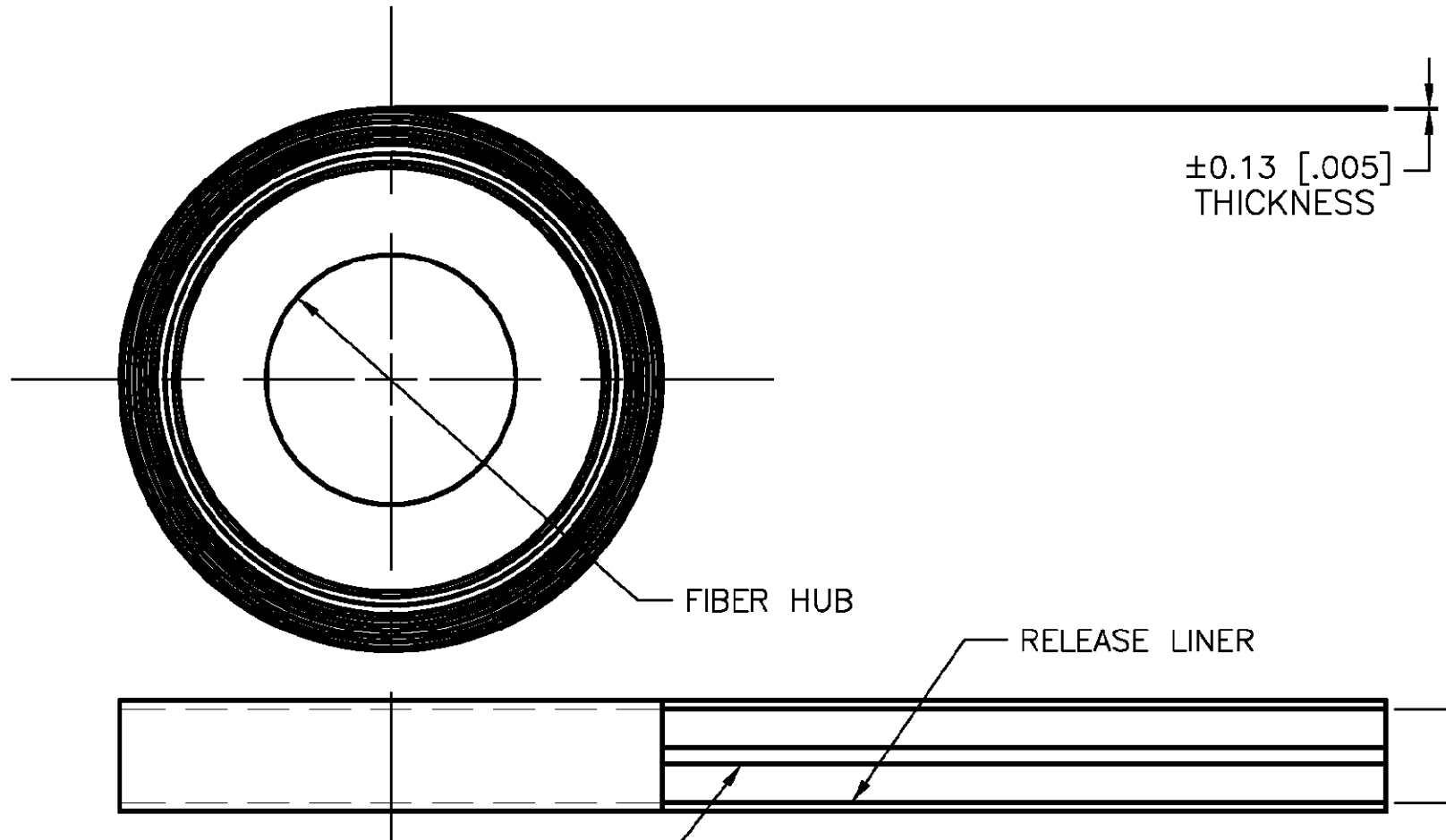


THIS DRAWING IS UNPUBLISHED. RELEASED FOR PUBLICATION
 © COPYRIGHT BY TYCO ELECTRONICS CORPORATION. ALL RIGHTS RESERVED.

LOC	DIST	REVISIONS			
P	LTR	DESCRIPTION	DATE	DWN	APVD
CM	00	E	REVISED PER 0G3B-0408-02	20-AUG-02	SH DC



- ① MATERIAL: SILICONE RUBBER.
- 2. TAPE IS ROLLED ONTO A FIBER HUB TO LENGTHS INDICATED WITH COLOR STRIPES DOWN AND RELEASE LINER ON OUTSIDE.
- 3. THICKNESS TO BE MEASURED AT CENTER OF TAPE.

COLOR STRIPE

WEIGHT GRAMS/POUNDS	LENGTH MINIMUM	STRIPE COLOR	TAPE COLOR	THICKNESS	WIDTH	DESCRIPTIVE PART NO.	PART NUMBER
54/.12	4.57m [15 FT]	WHITE	BLACK	0.51 [.020]	25.4 [1.00]	ST1B215	1-608036-4
54/.12	4.57m [15 FT]	BLUE	RED	0.51 [.020]	25.4 [1.00]	ST1R215	1-608036-3
127/.28	10.97m[36 FT]	BLUE	CLEAR	0.51 [.020]	25.4 [1.00]	ST1C236	1-608036-2
576/1.27	10.97m[36 FT]	WHITE	RED	2.03 [.080]	38.1 [1.50]	ST12R836	608036-9
263/.58	10.97m[36 FT]	GREEN	RED	1.02 [.040]	31.8 [1.25]	ST14R436	608036-6
172/.38	10.97m[36 FT]	WHITE	GRAY	0.76 [.030]	25.4 [1.00]	ST1G336	608036-4
127/.28	10.97m[36 FT]	BLUE	GRAY	0.51 [.020]	25.4 [1.00]	ST1G236	608036-2
127/.28	10.97m[36 FT]	BLUE	RED	0.51 [.020]	25.4 [1.00]	ST1R236	608036-1

THIS DRAWING IS A CONTROLLED DOCUMENT.		DWN S. HOOVER 20-AUG-2002	Tyco Electronics Corporation Harrisburg, PA 17105-3608	
DIMENSIONS: MM [INCHES]		CHK D. COLEY 20-AUG-2002		
TOLERANCES UNLESS OTHERWISE SPECIFIED:		APVD D. COLEY 20-AUG-2002	NAME	
0 PLC ± 1 PLC ± 2 PLC ± 3 PLC ± 4 PLC ± ANGLES ±		PRODUCT SPEC		TAPE, SILICONE FUSION
MATERIAL		APPLICATION SPEC		
FINISH		WEIGHT		RESTRICTED TO
①		A3 00779 C-608036		—
CUSTOMER DRAWING		SCALE		SHEET 1 OF 1 REV E