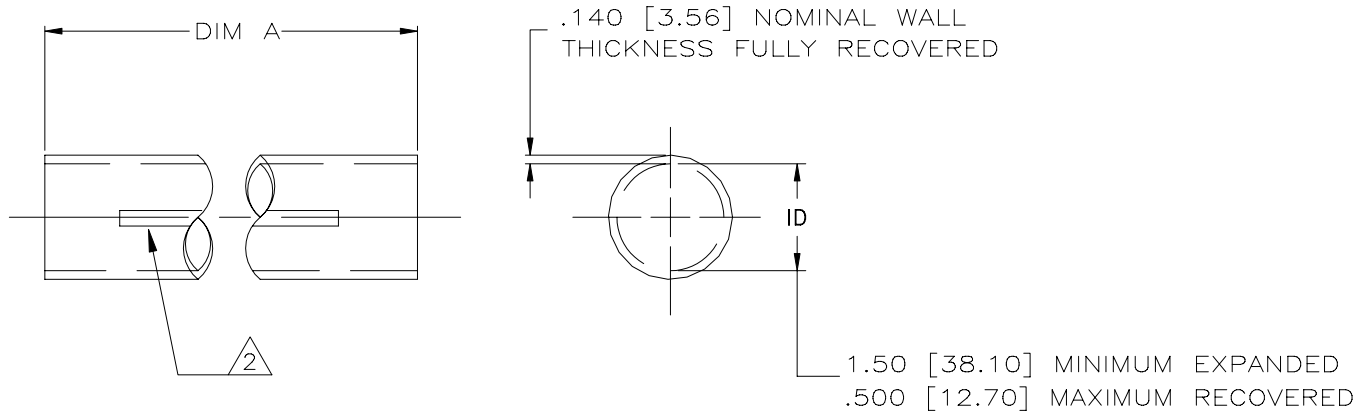


REVISIONS			
REV	DESCRIPTION	DATE	APPROVED
B	REVISED PER DCR R040121	17-DEC-03	JKUSTER



NOTES:

- ① MATERIAL: BLACK POLYOLEFIN TUBING HEAVY WALL, FLAME RETARDANT, WITHOUT SEALANT.
- ② PRODUCT MARKED WITH AMP, PART NUMBER, TUBING DIAMETER 1.50 [38.10], WIRE DIAMETER 4/0-400 MCM, AND DATE CODE WITH .25 [6.35] HIGH CHARACTERS USING WHITE INK.
- ③ WEIGHT PER LINEAR FOOT .17 POUNDS/77.1 GRAMS.

300.00 - 312.00 [7620.00 - 7924.80]	608953-3
48.00 - 49.00 [1219.20 - 1244.60]	608953-2
12.00 ± .19 [304.80 ± 4.83]	608953-1
DIMENSION A	PART NO

SPECIFICATION CONTROL DRAWING

UNLESS OTHERWISE SPECIFIED DIMENSIONS ARE IN INCHES. METRIC DIMENSIONS ARE IN BRACKETS. DECIMALS .XXX ± .005 [0.13 mm] .XX ± .01 [0.25 mm] .X ± .1 [2.54 mm] ANGLES .X ± 0.5 DEG	DRAWN	UNGUYEN	17/12/03	tyco Tyco Electronics Corporation Electronics 300 Constitution Drive Menlo Park, CA. USA 94025	Raychem	
	CHECKED					
	APPROVED	JKUSTER	17/12/03	TITLE AMPSULATION, FRHWP31 HEAT SHRINK TUBING 1.50 DIAMETER		
	APPROVED			CAD NAME R040121	SIZE B	CODE IDENT. NO. 06090
THIRD ANGLE PROJECTION					DO NOT SCALE THIS DRAWING	SHEET 1 OF 1

If this document is printed it becomes uncontrolled.
Check for the latest revision.