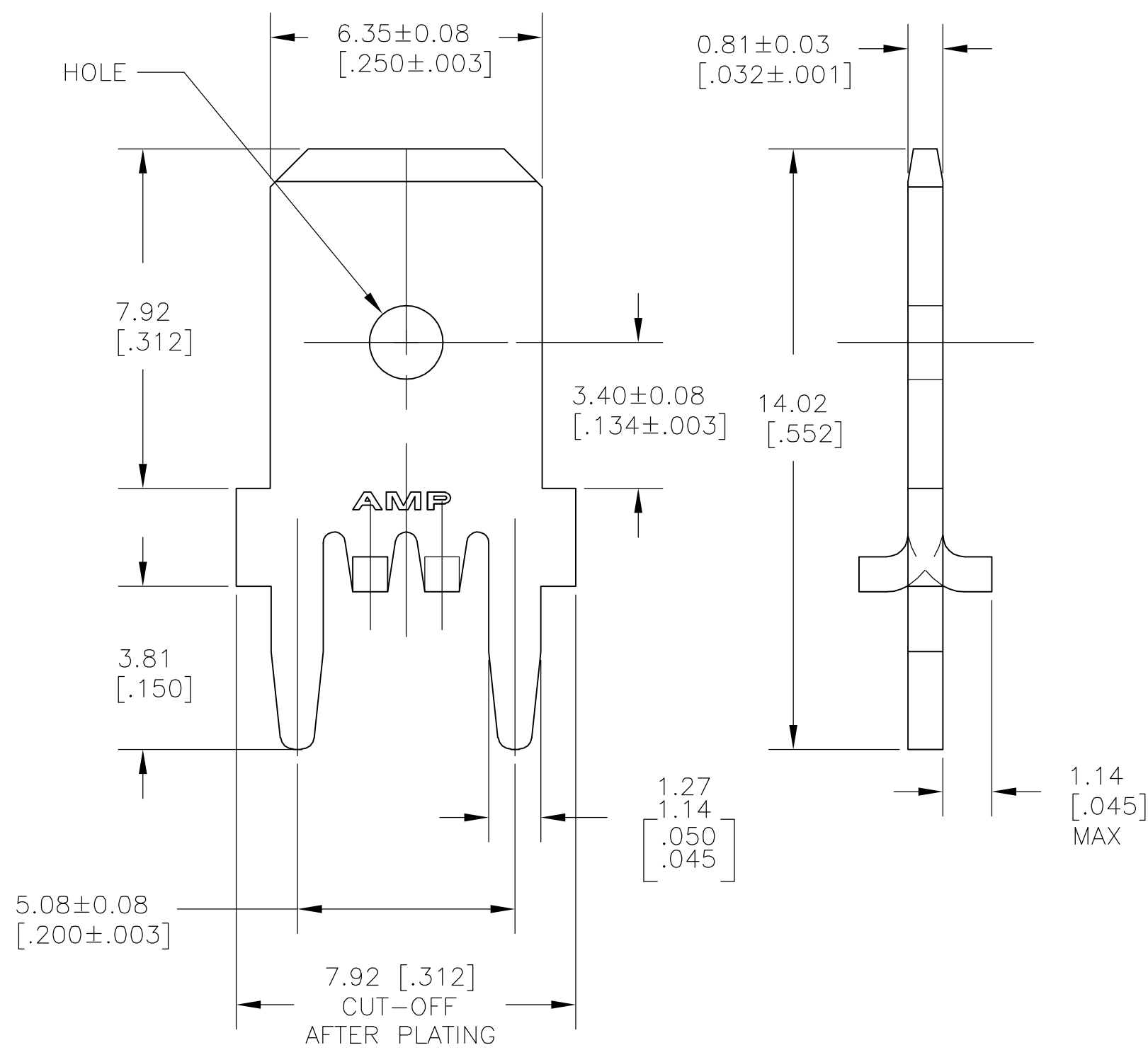
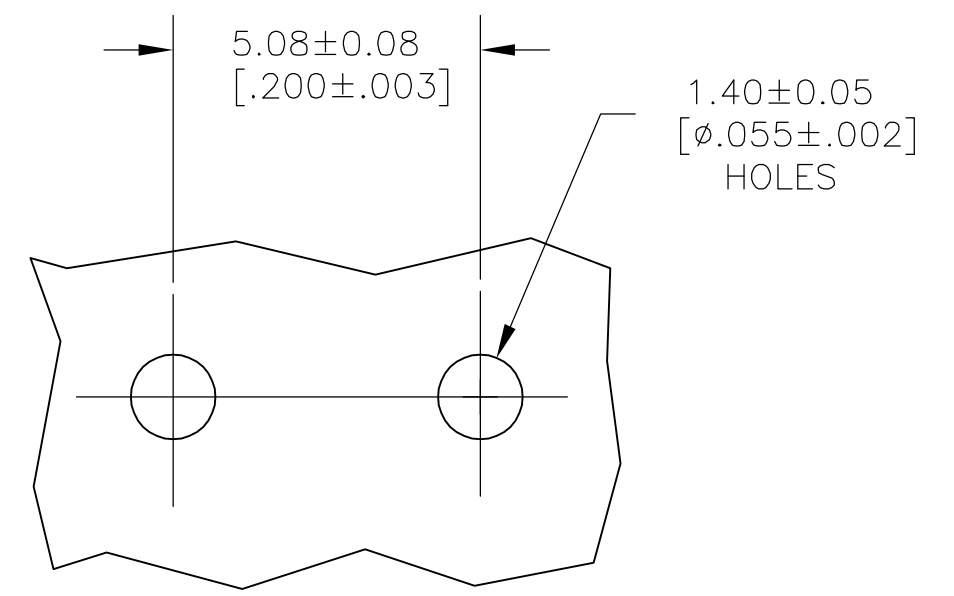


THIS DRAWING IS UNPUBLISHED. RELEASED FOR PUBLICATION
 © COPYRIGHT BY TYCO ELECTRONICS CORPORATION. ALL RIGHTS RESERVED.

LOC	DIST	REVISIONS			
P	LTR	DESCRIPTION	DATE	DWN	APVD
AF	50	D1	REV PER ECR 06-010808	23MAY06	JR KR



- 1 SUPPLIED IN LOOSE PIECE
- 2 TIN PLATE 0.00381 [.000150] MIN
 OVER 0.00254 [.000100] MIN THK COPPER
 OR
 TIN PLATE 0.00381 [.000150] MIN
 OVER 0.00127 [.000050] MIN NICKEL PL.



P.C. BOARD HOLE PATTERN

63824-1	63849-1
STRIP PART NO.	PART NO.

THIS DRAWING IS A CONTROLLED DOCUMENT.		DWN JR RUTH 20FEB01	Tyco Electronics Corporation Harrisburg, PA 17105-3608	
DIMENSIONS: mm [INCHES]		CHK MS FEHER 20FEB01		
TOLERANCES UNLESS OTHERWISE SPECIFIED:		APVD N DEIBERT 20FEB01	NAME TAB, FASTON, P.C.BOARD	
0 PLC ± - 1 PLC ± - 2 PLC ± 0.25 [.010] 3 PLC ± - 4 PLC ± - ANGLES ± -		PRODUCT SPEC -	6.35 [.250]	
MATERIAL 082 BRASS		FINISH -	APPLICATION SPEC 114-2115	RESTRICTED TO -
			WEIGHT -	SIZE A3
				CAGE CODE 00779
				DRAWING NO C-63849
				SCALE 8:1
				SHEET 1 OF 1
				REV D1