

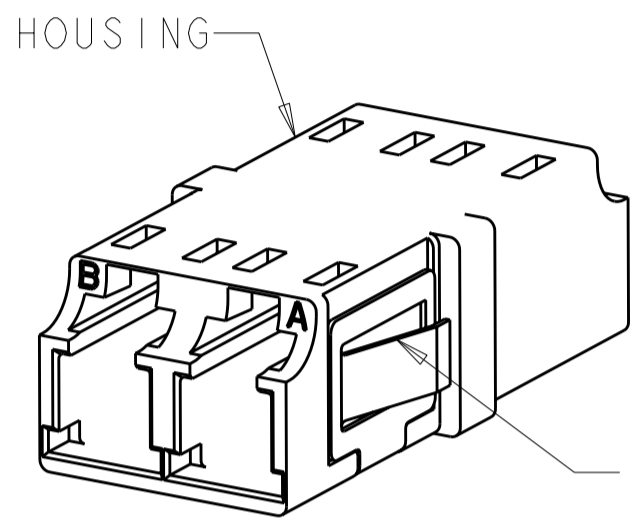
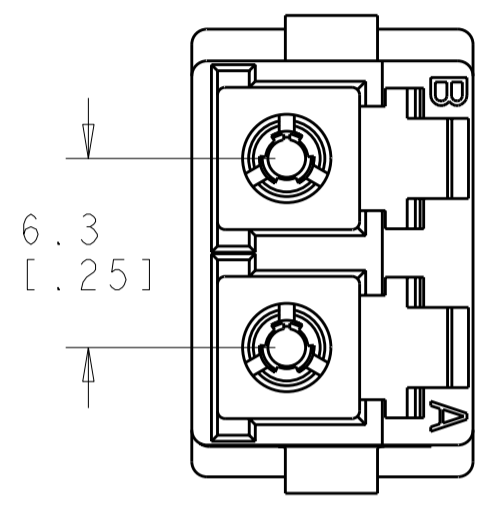
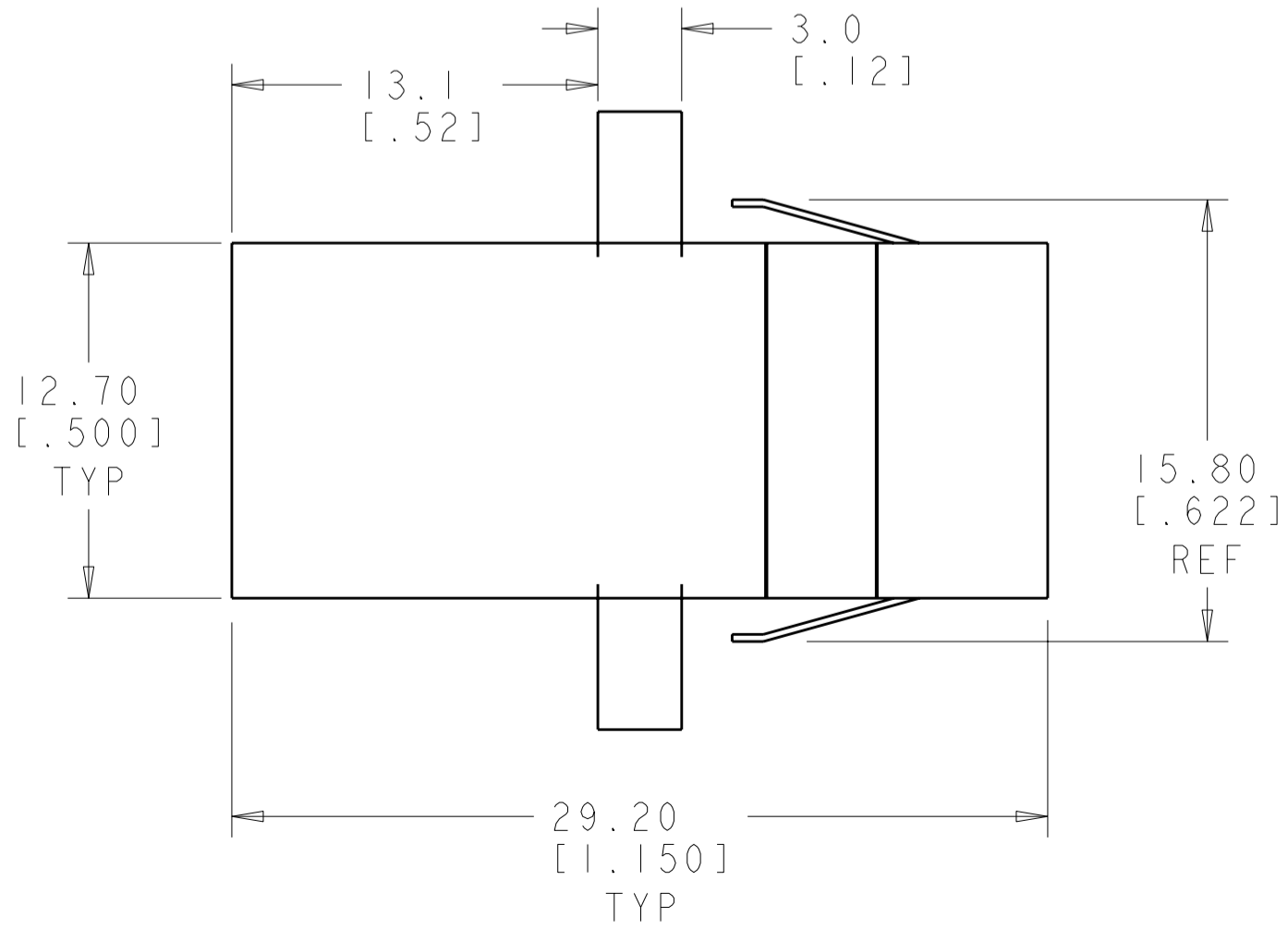
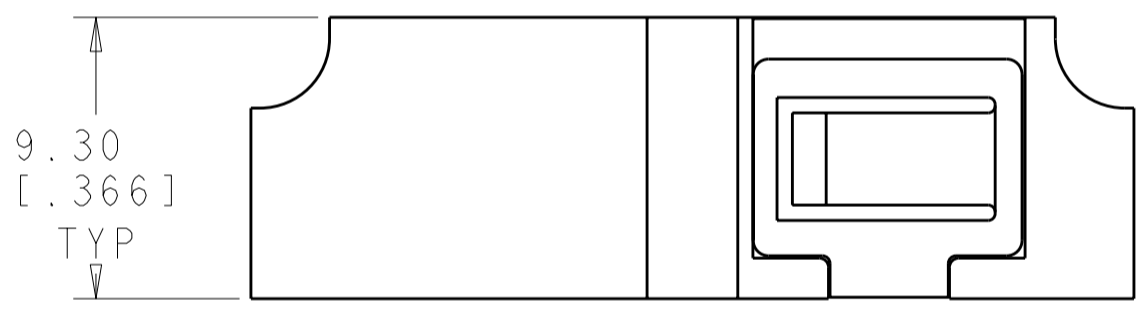
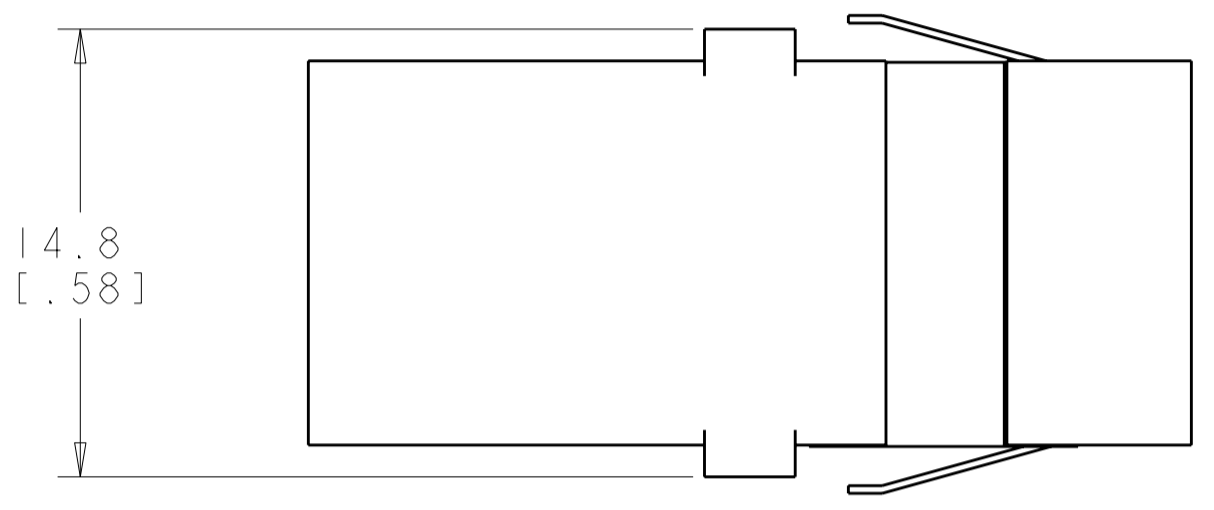
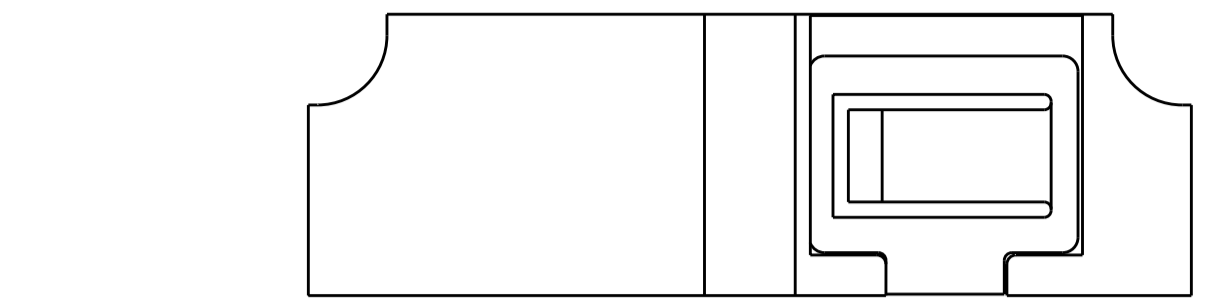
THIS DRAWING IS UNPUBLISHED. RELEASED FOR PUBLICATION 20  
 © COPYRIGHT 20 BY TYCO ELECTRONICS CORPORATION. ALL RIGHTS RESERVED.

| LOC | DIST | REVISIONS   |                          |           |         |
|-----|------|-------------|--------------------------|-----------|---------|
| P   | LTR  | DESCRIPTION | DATE                     | DWN       | APVD    |
| CE  | 00   | D           | REV PER ECR-07-000261    | 12MAR2007 | DHR DHR |
|     |      | DI          | REMOVED LOGOS ON VIEWS   | 14MAR2007 | DHR DHR |
|     |      | E           | REVISE PER ECR 07-008306 | 20APR2007 | BB CB   |

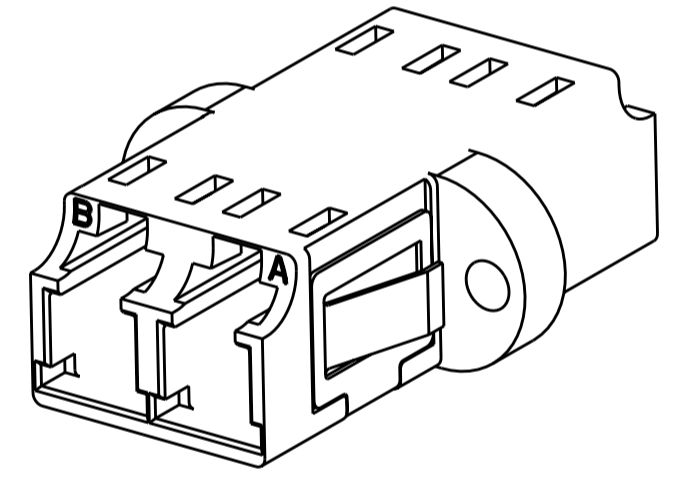
1 MATERIAL:  
 HOUSING: THERMOPLASTIC, UL 94-V0  
 DUST PLUGS: THERMOPLASTIC ELASTOMER  
 ALIGNMENT SLEEVES: SEE TABLE  
 RETENTION CLIP: SST

2. DUPLEX DUST PLUGS ARE SUPPLIED, NOT SHOWN.

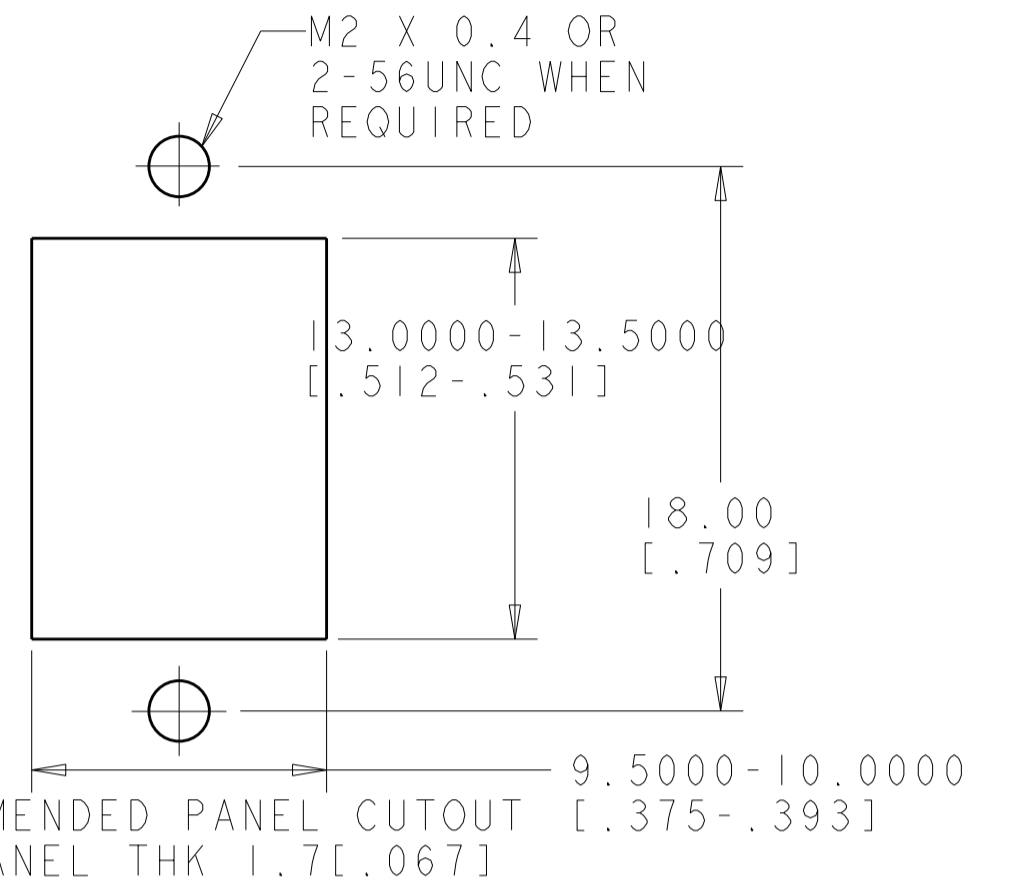
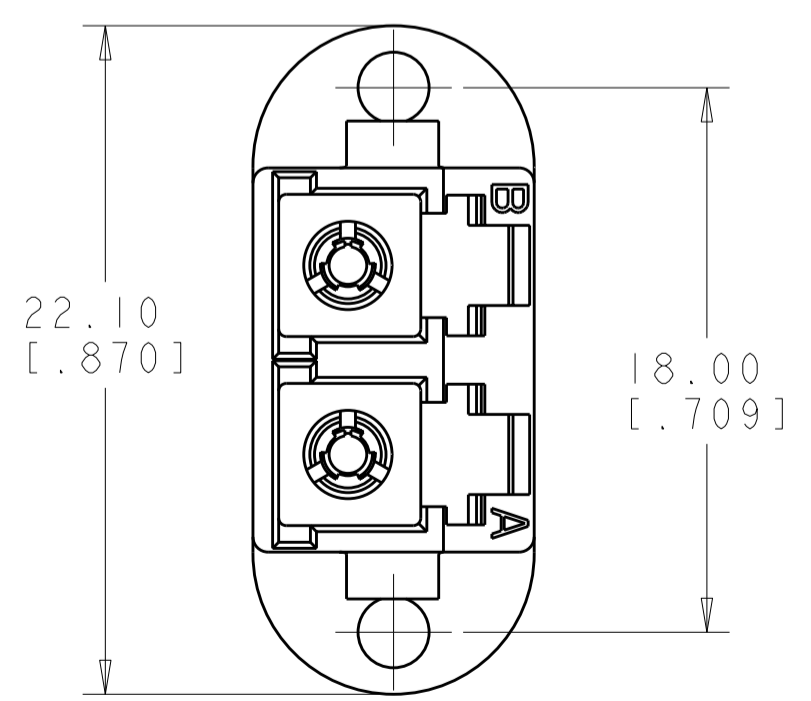
3 RETENTION CLIP IS NOT INCLUDED.



FLANGELESS  
SCALE 3:1



FLANGED  
SCALE 3:1



| SLEEVE MAT'L | HOUSING COLOR | DESCRIPTION | PART NUMBER |
|--------------|---------------|-------------|-------------|
| METAL        | BLACK         | FLANGED     | 2-6457567-1 |
| METAL        | AQUA          | FLANGED     | 2-6457567-0 |
| METAL        | BLACK         | FLANGELESS  | 1-6457567-9 |
| METAL        | AQUA          | FLANGELESS  | 1-6457567-8 |
| CERAMIC      | BLACK         | FLANGED     | 1-6457567-7 |
| CERAMIC      | AQUA          | FLANGED     | 1-6457567-6 |
| CERAMIC      | BLACK         | FLANGELESS  | 1-6457567-5 |
| CERAMIC      | AQUA          | FLANGELESS  | 1-6457567-4 |
| METAL        | BLUE          | FLANGED     | 1-6457567-3 |
| 3 CERAMIC    | BLUE          | FLANGELESS  | 1-6457567-2 |
| 3 CERAMIC    | BEIGE         | FLANGELESS  | 1-6457567-1 |
| 3 CERAMIC    | BLUE          | FLANGED     | 1-6457567-0 |
| 3 CERAMIC    | BEIGE         | FLANGED     | 6457567-9   |
| METAL        | BEIGE         | FLANGED     | 6457567-8   |
| METAL        | BEIGE         | FLANGELESS  | 6457567-7   |
| CERAMIC      | GREEN         | FLANGED     | 6457567-6   |
| CERAMIC      | BEIGE         | FLANGED     | 6457567-5   |
| CERAMIC      | BLUE          | FLANGED     | 6457567-4   |
| CERAMIC      | GREEN         | FLANGELESS  | 6457567-3   |
| CERAMIC      | BEIGE         | FLANGELESS  | 6457567-2   |
| CERAMIC      | BLUE          | FLANGELESS  | 6457567-1   |

THIS DRAWING IS A CONTROLLED DOCUMENT FOR TYCO ELECTRONICS CORPORATION. IT IS SUBJECT TO CHANGE AND THE CONTROLLING ENGINEERING ORGANIZATION SHOULD BE CONTACTED FOR THE LATEST REVISION.

DWN: E. HOPKINS 03JUN2005  
 CHK: D. ROHDE 03JUN2005  
 APVD: S. BUCHTER 03JUN2005

**AMP** Tyco Electronics  
 Harrisburg, PA 17105-3608

NAME: ADAPTER, DUPLEX LC, SR-SR, SC ENVELOPE

SIZE: A2 CAGE CODE: 00779 DRAWING NO: 6457567 RESTRICTED TO: -

MATERIAL: - DIMENSIONS: mm [INCHES] TOLERANCES UNLESS OTHERWISE SPECIFIED: 0 PLC ±0.1, 1 PLC ±0.1, 2 PLC ±0.1, 3 PLC ±, 4 PLC ±, ANGLES ±, FINISH -

CUSTOMER DRAWING SCALE: 4:1 SHEET 1 OF 1 REV E