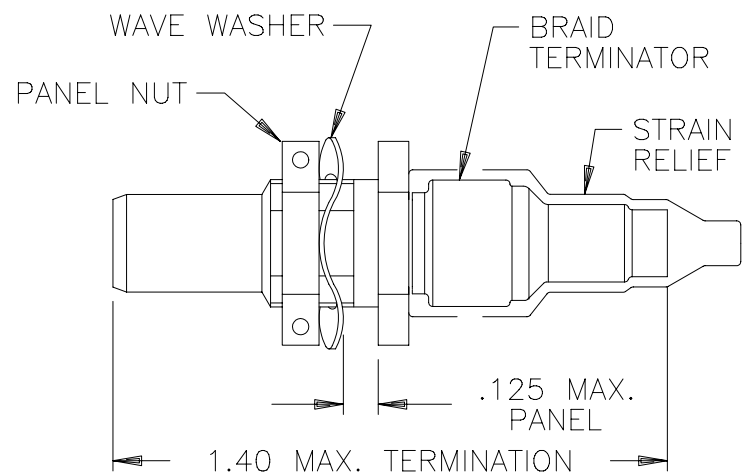
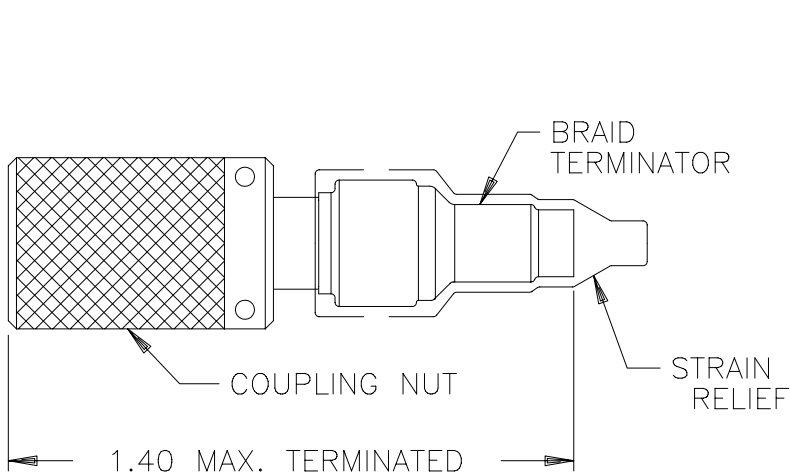
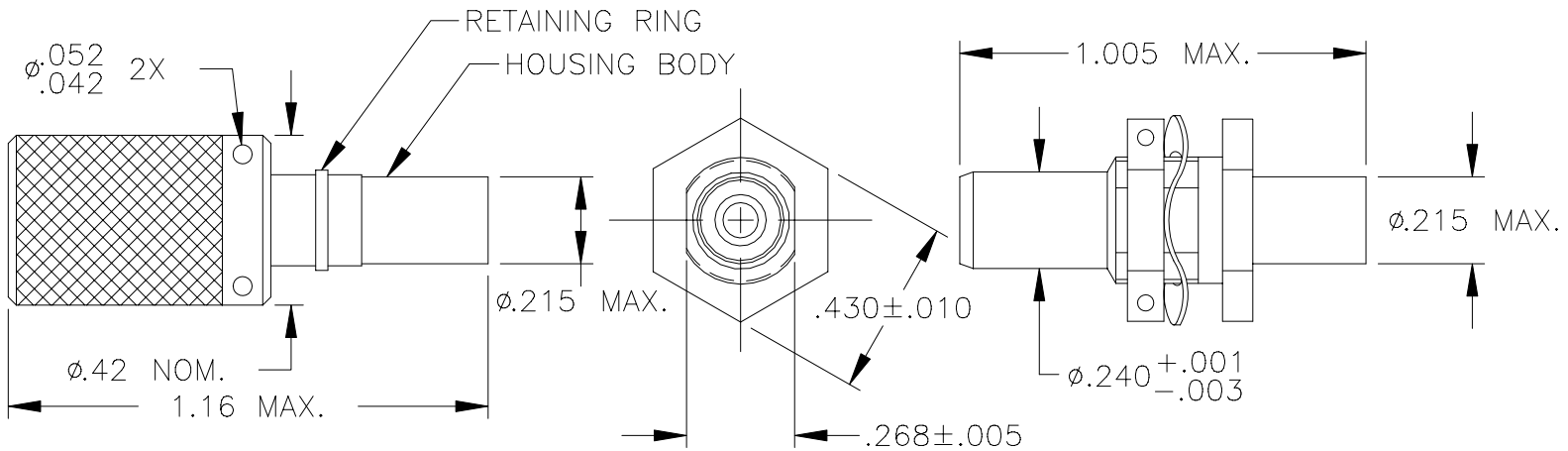
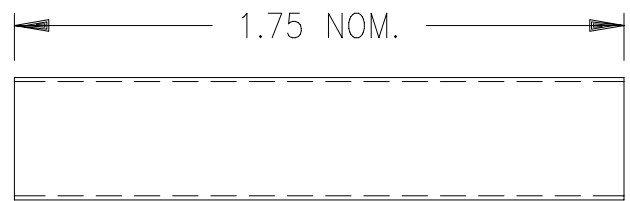


| REVISIONS |                          |           |          |
|-----------|--------------------------|-----------|----------|
| LTR       | DESCRIPTION              | DATE      | APPROVED |
| T         | REVISED PER ECN# T-20362 | 95 AUG 29 | Z. TEMAN |
| U         | REVISED PER ECN# T-20891 |           |          |

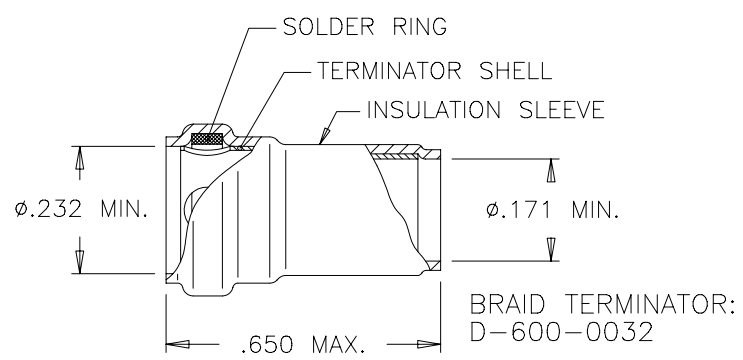


PLUG ASSEMBLY: D-621-0011

JACK ASSEMBLY: D-621-0012



STRAIN RELIEF: D-600-0019



If this document is printed it becomes uncontrolled.  
Check with the web for latest revision.

SPECIFICATION CONTROL DRAWING

UNLESS OTHERWISE SPECIFIED DIMENSIONS ARE IN INCHES. METRIC DIMENSIONS ARE IN BRACKETS.

DECIMALS  
.XXX ± — [ — mm ]  
.XX ± — [ — mm ]

ANGLES  
.X ± —

WEIGHT  
— lbs [ — g ]

|                        |              |           |
|------------------------|--------------|-----------|
| DRAWN                  | J.B.K.       | 90 NOV 15 |
| CHECKED                |              |           |
| APPROVED               |              |           |
| APPROVED               | Z.TEMAN      | 90 NOV 30 |
| CAD NAME               | 004996-1.DWG |           |
| THIRD ANGLE PROJECTION |              |           |

**Raychem**

RAYCHEM CORPORATION  
300 CONSTITUTION DRIVE  
MENLO PARK, CALIFORNIA 94025

TITLE  
CONNECTOR, TRIAXIAL,  
SUBMINIATURE,  
THREADED COUPLE

|      |                 |                 |     |
|------|-----------------|-----------------|-----|
| SIZE | CODE IDENT. NO. | DWG. NO.        | REV |
| A    | 06090           | D-621-0011/0012 | U   |

DO NOT SCALE THIS DRAWING

SHEET 1 OF 2

1.0 MATERIALS AND FINISHES

- 1.1 HOUSING BODY (PLUG): BRASS ALLOY PER ASTM B16, TIN PLATED PER MIL-T-10727 TYPE I, OVER NICKEL PER MIL-C-26074
- (JACK): BeCu ALLOY, ASTM B196, TB00 OR TD04, TIN PLATED PER MIL-T-10727 TYPE I, OVER NICKEL PER MIL-C-26074
- 1.1.1 INSULATION (MIP): POLYETHERSULFONE
- 1.2 COUPLING NUT (PLUG): BRASS ALLOY PER ASTM B16, NICKEL PLATED PER QQ-N-290
- 1.3 PANEL NUT (JACK): BRASS ALLOY PER ASTM B16, NICKEL PLATED PER QQ-N-290
- 1.4 WAVE WASHER (JACK): BECU PER ASTM B194 NT 180K TS NICKEL PLATED PER QQ-N-290
- 1.5 BRAID TERMINATOR
- 1.5.1 BODY: BRASS ALLOY PER ASTM B16, TIN-LEAD PLATED PER MIL-P-81728A, OVER NICKEL PER QQ-N-290
- 1.5.2 SOLDER PREFORM: Sn63Pb37 PER QQ-S-571
- 1.5.3 INSULATION SLEEVE: POLYVINYLIDENE FLUORIDE
- 1.6 STRAIN RELIEF: WHITE TAT-125 (RNF-100 WITH ADHESIVE)

2.0 CONTACTS

| CABLE TYPE | TRIAxIAL                            | TWINAXIAL                               | COAXIAL                             |
|------------|-------------------------------------|---|-------------------------------------|
| CONTACT(S) | D-602-44 (PIN)<br>D-602-45 (SOCKET) | D-602-0126 (PIN)<br>D-602-0127 (SOCKET) | D-610-09 (PIN)<br>D-610-10 (SOCKET) |

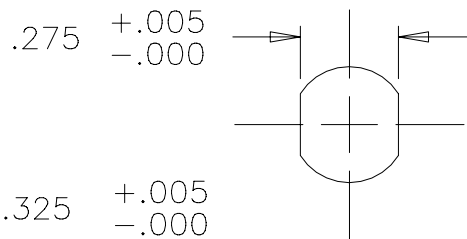
3.0 SEE ES61162 FOR CABLE ACCOMODATION AND TERMINATION INFORMATION.

4.0 PERFORMANCE REQUIREMENTS

4.1 REFER TO RAYCHEM SPECIFICATION D-6025 FOR PRODUCT PERFORMANCE AND QUAILIFICATION REQUIREMENTS.

5.0 GENERAL CHARACTERISTICS

- 5.1 OPERATING TEMPERATURE: -65°C TO 125°C
- 5.2 INSULATION RESISTANCE: GREATER THAN 5K MEG
- 5.3 DIELECTRIC STRENGTH: 900 VAC @ 60 Hz
- 5.4 CURRENT RATING: 3 AMPS MAX.
- 5.5 CONTACT RESISTANCE: INITIAL: 8 MILLIOHMS MAX.
- 5.6 MATING COUPLING TORQUE: 10 INCH/LBS MAX.
- 5.7 PANEL NUT TORQUE (JACK): 10-15 INCH/LBS (WHEN INSTALLING IN PANEL)



**If this document is printed it becomes uncontrolled.  
Check with the web for latest revision.**

|                           |        |        |           |      |                 |                 |      |
|---------------------------|--------|--------|-----------|------|-----------------|-----------------|------|
| CAD NAME: 004996-2        | DRAWN  | J.B.K. | 90 NOV 15 | SIZE | CODE IDENT. NO. | DWG. NO.        | REV. |
|                           | ISSUED |        |           | A    | 06090           | D-621-0011/0012 | U    |
| DO NOT SCALE THIS DRAWING |        |        |           |      |                 | SHEET 2 OF 2    |      |