

Specification Status: Released

TABLE 1. ELECTRICAL CHARACTERISTICS

DC Spark over Voltage	Impulse Spark over Voltage	Insulation Resistance	Capacitance	Impulse Discharge Current 8/20µs		Impulse Withstanding Voltage 10/700us
				10 hits	300 hits	
@ 100V/s	@1000V/µs	@50 V _{DC}	@ 1MHz	10 hits	300 hits	10 hits (5times each polarity)
60-105V	≤600V	≥ 1,000MΩ	≤0.5pF	1kA	100A	4KV

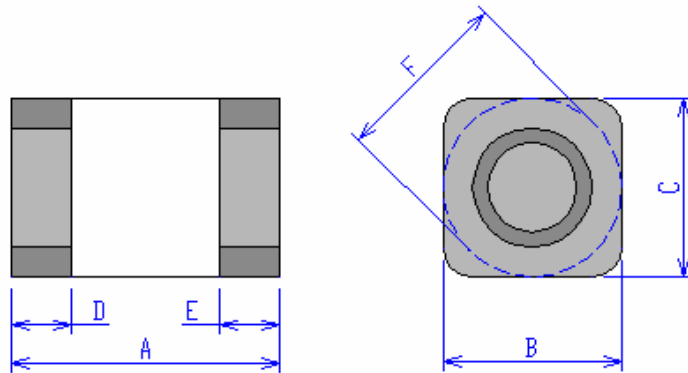


TABLE 2. DIMENSIONS

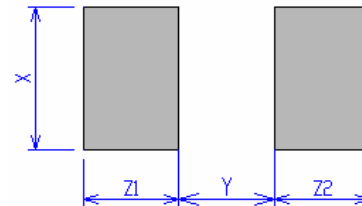
	A		B		C		D	E	F	
	Min	Max	Min	Max	Min	Max	Nom	Nom	Min	Min
mm	4.3	4.7	2.8	3.2	2.8	3.2	1.0	1.0	2.9	3.1
in*	(0.170)	(0.185)	(0.110)	(0.126)	(0.110)	(0.126)	(0.020)	(0.020)	(0.114)	(0.122)

*Rounded off approximation

TABLE 3. RECOMMENDED PAD LAYOUT

	X	Y	Z1	Z2
	Nom	Nom	Nom	Nom
mm	3.0	2.0	2.0	2.0
in*	(0.118)	(0.079)	(0.079)	(0.079)

*Rounded off approximation



General Characteristics

No Radioactive Materials
Storage temperature: -40°C ... +90°C
Operating temperature: -40°C ... +90°C

MATERIALS INFORMATION

RoHS Compliant

ELV Compliant

Directive 2002/95/EC
Compliant

Directive 2000/53/EC
Compliant

Precedence:
Effectivity:
CAUTION:

This specification takes precedence over documents referenced herein.
Reference documents shall be the issue in effect on the date of invitation for bid.
Operation beyond the rated voltage or current may result in rupture, electrical arcing or flame.