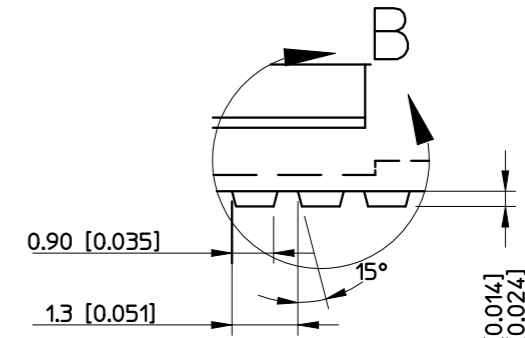
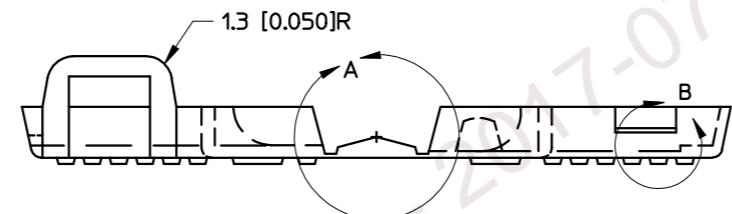
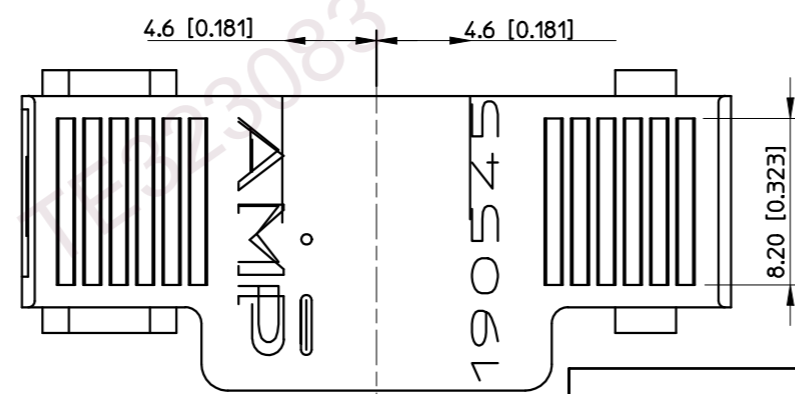


SCALE 10:1



SCALE 10:1



NOTE: DIMENSIONS IN BRACKETS ARE IN INCHES.

REMARKS	COLOUR	MATERIAL	PART No
OBSOLETE	-	NYLON-ZYTEL FR10. OR APP'D.EQUIV (TAN)	2-190545-6
	UL94 - V0	WHITE NYLON-BASF KR4205 (WHITE) OR BASF ULTRAMID C3U FLAME RETARDANT	2-190545-5
OBSOLETE	UL94-V2	NATURAL NYLON (ZYTEL 101. OR APP'D.EQUIV	190545-1

SPECIFICATION CLASSIFICATION.
 ■ CRITICAL ☒ MAJOR

ALL DIMENSIONS ARE IN mm. TOLERANCES UNLESS OTHERWISE SPECIFIED ARE AS FOLLOWS.
 DIM INCLUDING & UP TO TOLERANCE ±

0-6	6-30	30-120	120-315	>315	ANGLES ±0° 30'
0.1	0.2	0.3	0.5	0.8	

REV	DESCRIPTION	DATE	BY	CHK	APP
E1	ECR-17-010625	27JUL17	DT	TD	
E	ECN FA00 0038 04	09/05/05	HT	WR	
D	ECN FA00 0008 02	26/06/02	HT	WR	
C	ECN FA 00 0003 95	17/05/95	BL		
B	ECN 94002	10/02/94	RB		
A	PLATFORM ADDED 157-1.7 DIM TERMINAL CLEARANCE 7.75-8	01/09/92	CW		
-	REDRAWN. ORIGINAL LOST	06/01/89			
P	REVISION RECORD		DWN	APP	DATE

SIZE	DATE 22/03/94	CHK HT	Australian AMP Pty. Limited Hudson Avenue, CASTLE HILL NSW	LOC CODE
DR RB	APP WR	NAME		U
SCALE 2.5:1 AS SHOWN	SIZE A3	DWG No. 190545	SHEET 10F1	REV E1

THIS INFORMATION IS CONFIDENTIAL AND DISCLOSED TO YOU ON CONDITION THAT NO FURTHER DISCLOSURE IS MADE BY YOU TO OTHER THAN AMP PERSONNEL WITHOUT WRITTEN AUTHORIZATION FROM AUSTRALIAN AMP