

1. INTRODUCTION

This instruction sheet provides installation procedures for the Screwdriver Actuated ZIF (SAZ) socket. This socket is designed to eliminate damage during installation and replacement of high pin count PGA devices without the need for expensive insertion/extraction tools.

2. DESCRIPTION

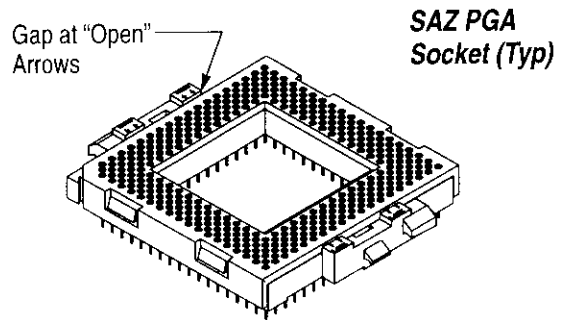
This Pin Grid Array (PGA) socket features Zero Insertion Force (ZIF) mating and unmating. The SAZ socket features a cover that keeps the empty socket in the open position. A standard flat-bladed screwdriver is all that is needed to actuate the socket.

3. ASSEMBLY PROCEDURES (to load and lock device in socket)

1. Make sure cover is in open position (gap between cover and "OPEN" arrows denotes cover is open).

CAUTION

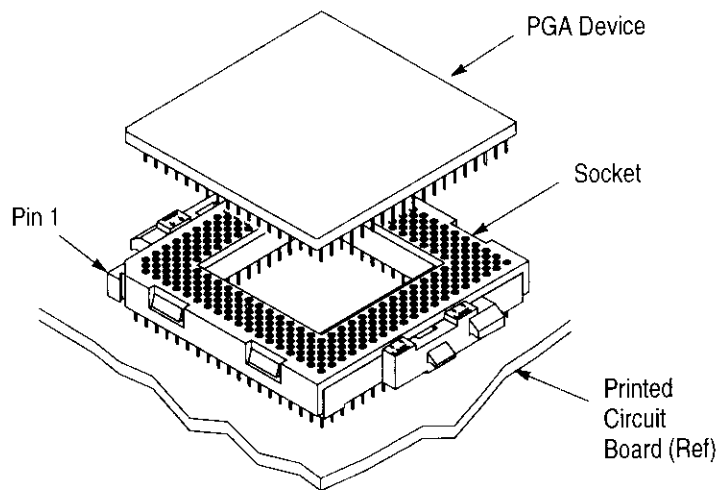
AMP is not responsible for PGA device damage if inserted into the socket with the cover in the closed position.



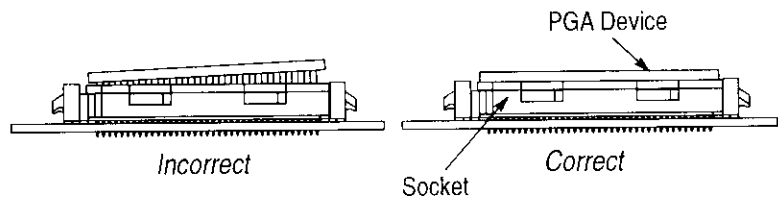
2. Align PGA device pin pattern with socket pattern (pin 1 on socket is at chamfer).

CAUTION

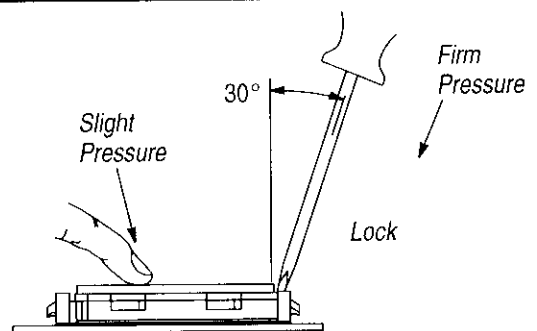
PGA device must drop in freely. If not, remove PGA device, check pins for straightness, verify pattern match, and reinsert.



3. Place finger on top of PGA device and apply slight downward pressure to ensure device is flush with socket surface and level with socket.



4. While maintaining slight downward pressure on device, place screwdriver into "LOCK" slot at a 30° angle. **Apply firm downward pressure on screwdriver to keep tip at bottom of slot.**



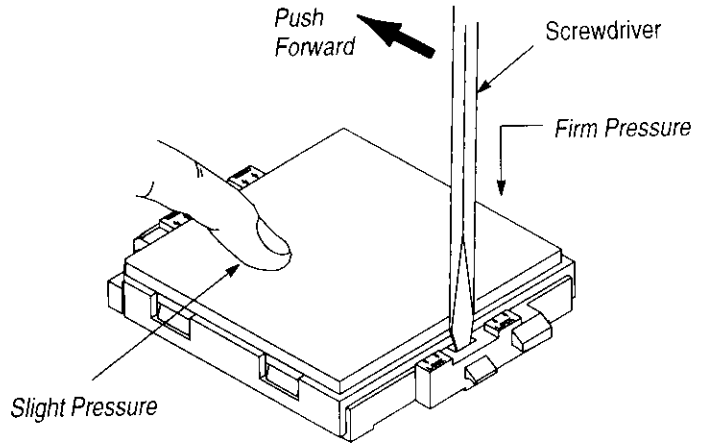
5. While maintaining firm downward pressure on screwdriver, push screwdriver handle forward. The PGA device will lock into position.

CAUTION

Stop pushing on screwdriver when screwdriver is in vertical position. Damage to socket will result if screwdriver is forced beyond vertical.

NOTE

There should be **no** gap between the "open" arrows and the edge of the cover.

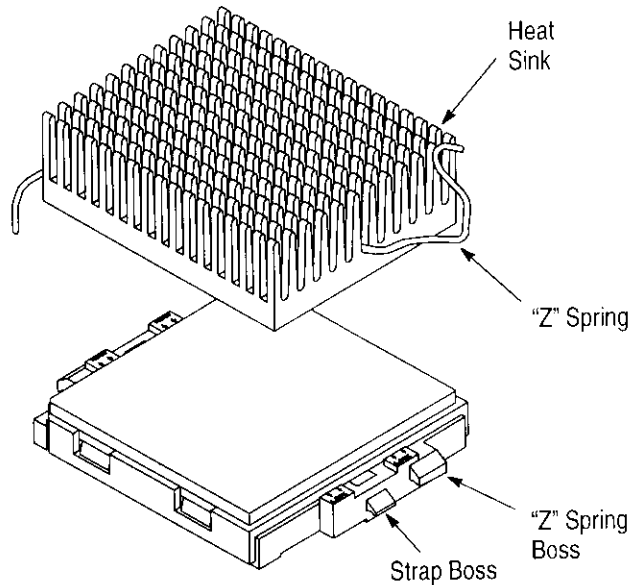


4. HEAT SINK INSTALLATION (to attach a heat sink to socket)

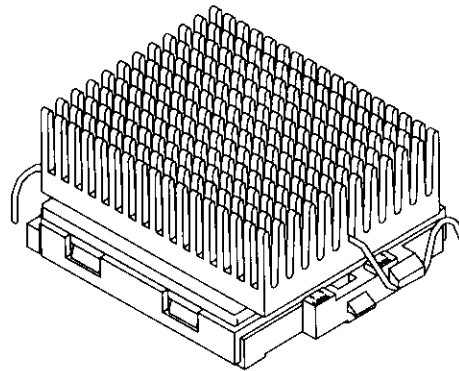
NOTE

The SAZ socket has been designed to accommodate two types of heat sink clips ("Z" spring clip and clip-on socket strap).

1. Lock PGA device in socket according to Section 3, ASSEMBLY PROCEDURES.
2. Place heat sink on PGA device.



3. Clip heat sink on PGA device.



5. DISASSEMBLY PROCEDURES (to unlock and remove device from socket)

1. Place screwdriver into "OPEN" slot at 30° angle. Apply firm downward pressure on screwdriver to keep tip at bottom of slot.

2. Place finger on top of PGA device and apply slight downward pressure.
3. Push screwdriver handle forward until vertical.

CAUTION

Stop pushing on screwdriver when screwdriver is in vertical position. Damage to socket will result if screwdriver is forced beyond vertical.