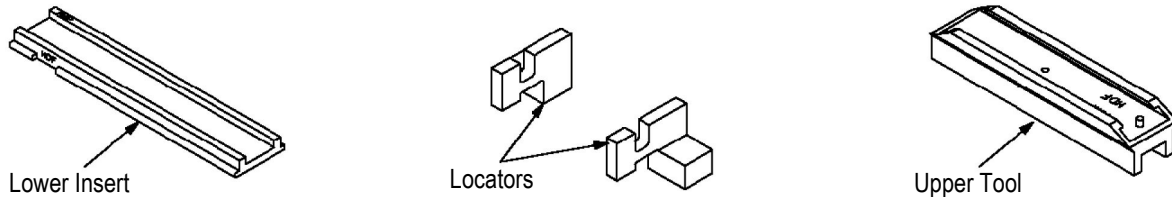


**PROPER USE GUIDELINES**

Cumulative Trauma Disorders can result from the prolonged use of manually powered hand tools. Hand tools are intended for occasional use and low volume applications. A wide selection of powered application equipment for extended-use, production operations is available.

**Connector-Specific Kit 768349-1**



**Typical Applications**

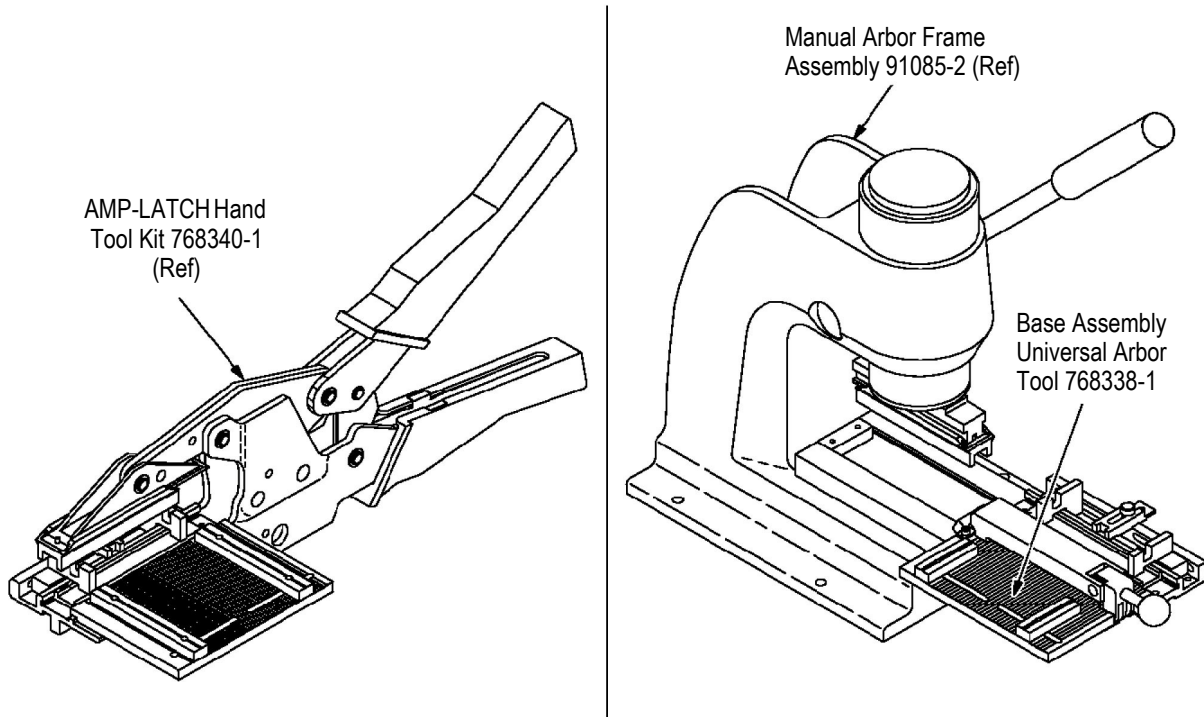


Figure 1

**1. INTRODUCTION**

This instruction sheet covers the description, cable requirements, and installation procedures for Connector-Specific Kit 768349-1, which is used with AMP-LATCH Hand Tool Kit 768340-1 (see Instruction Sheet 408-9828) and Base Assembly Universal Arbor Tool 768338-1 (see Instruction Sheet 408-9827). The connector-specific kit will terminate AMP-LATCH HDF

Low-Profile Connectors having 1.27 mm [.050 in.] centerline spacing to ribbon cable (see Figure 2).

The Base Assembly Universal Arbor Tool is used with Manual Arbor Frame Assembly 91085-2 and Pneumatic Auto-Cycle Unit 91112-3. Refer to Instruction Sheets 408-7777 and 408-6732, respectively, for tooling information.



Dimensions in these instructions are in metric units [with U.S. customary units in brackets], unless otherwise indicated.

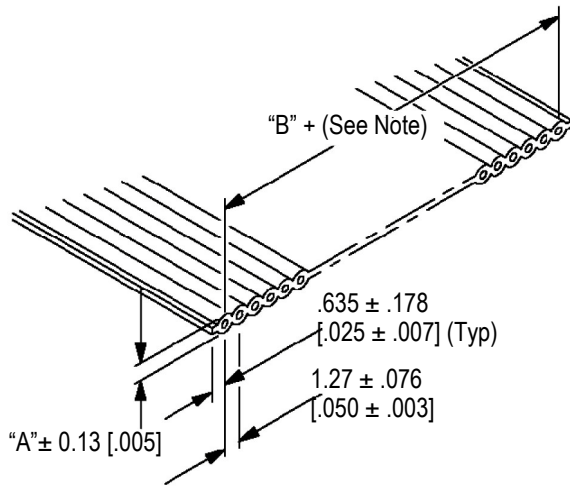
Reasons for reissue are provided in Section 6, REVISION SUMMARY.

**2. DESCRIPTION** (Figure 1)

The connector-specific kit features an upper tool, two locators, and a lower insert. The upper tool applies an even force over the length of the connector during termination. The locators and the lower insert position the connector on the tooling assembly. Each component is marked "AMP HDF."

**3. CABLE REQUIREMENTS**

The connector-specific kit will terminate ribbon cable with 26 AWG solid or stranded conductors, and 28 AWG solid or stranded conductors to all AMP-LATCH HDF Low-Profile Connectors. Refer to Figure 2 for the recommended cable dimensions.



CONDUCTOR		DIMENSION	
SIZE (AWG)	TYPE	"A"	"B"
26 - 28	Solid or Stranded	0.94 [ .037 ]	1.27 [ .050 ] X (Total No. of Conductors Minus One)

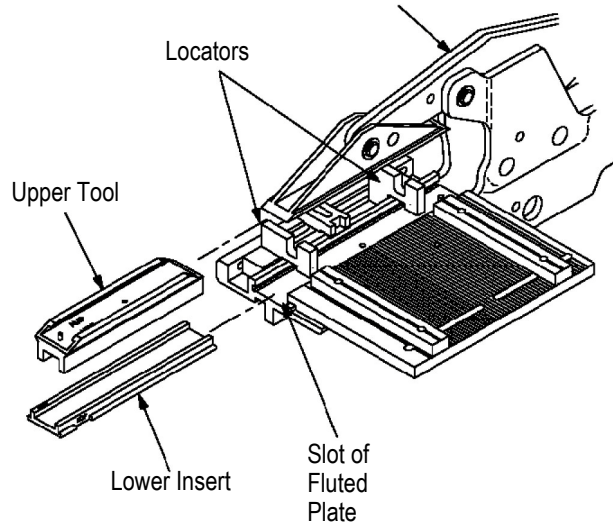
Figure 2



The cable must be cut 90° to the edge of the cable; otherwise an improper termination will result. We suggest you use a guillotine-type cable cutter, such as the Carpenter Model 95 which can be purchased from:

Carpenter Manufacturing Co., Inc.  
Fairgrounds Drive  
Manlius, N.Y. 13207

AMP-LATCH Hand Tool Kit 768340-1 (Ref) (Includes AMP-LATCH Hand Tool Subassembly 768942-1 and Base Assembly Universal Hand Tool 768339-1.)

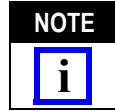


Refer to Instruction Sheet 408-9846 and 408-9826.

Figure 3

**4. CONNECTOR-SPECIFIC KIT INSTALLATION**

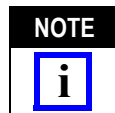
(Figure 3 and Figure 4)



For hand tool applications, mount the hand tool onto a suitable work surface, whenever possible, before terminating the connectors. Refer to the bench-clamping instructions in 408-9828, packaged with the AMP-LATCH Hand Tool Kit.

1. Slide the upper tool onto the upper tool mount.
2. Slide the lower insert into the slot of the fluted plate.
3. Install the locators into base of tool, as shown in Figure 4.

This completes the installation procedure.



For information concerning termination procedures, refer to 408-9828 packaged with the AMP-LATCH Hand Tool Kit, and 408-9827 packaged with the Base Assembly Universal Arbor Tool.

**5. CONNECTOR-SPECIFIC KIT INSPECTION**

Connector-Specific Kit 768349-1 has been inspected and should be verified with the information provided in Figure 5. It is recommended that the connector-specific kit be inspected immediately upon its arrival at your facility (and at regularly scheduled intervals) to ensure that the kit components have not been damaged during handling.

For additional information concerning connector-specific kits, or to purchase additional kits, contact your local TE Connectivity Representative or:

CUSTOMER SERVICE (038-035)  
 TYCO ELECTRONICS CORPORATION  
 PO BOX 3608  
 HARRISBURG PA 17105-3608

**6. REVISION SUMMARY**

Updated document to corporate requirements.

Base Assembly Universal Arbor Tool 768338-1 (Ref)

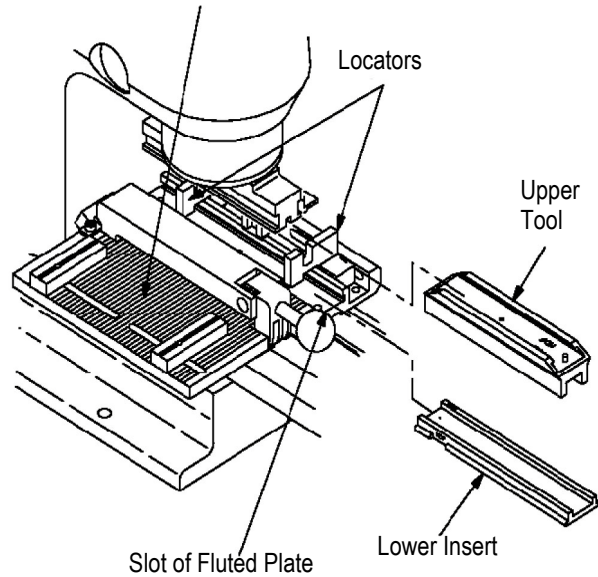
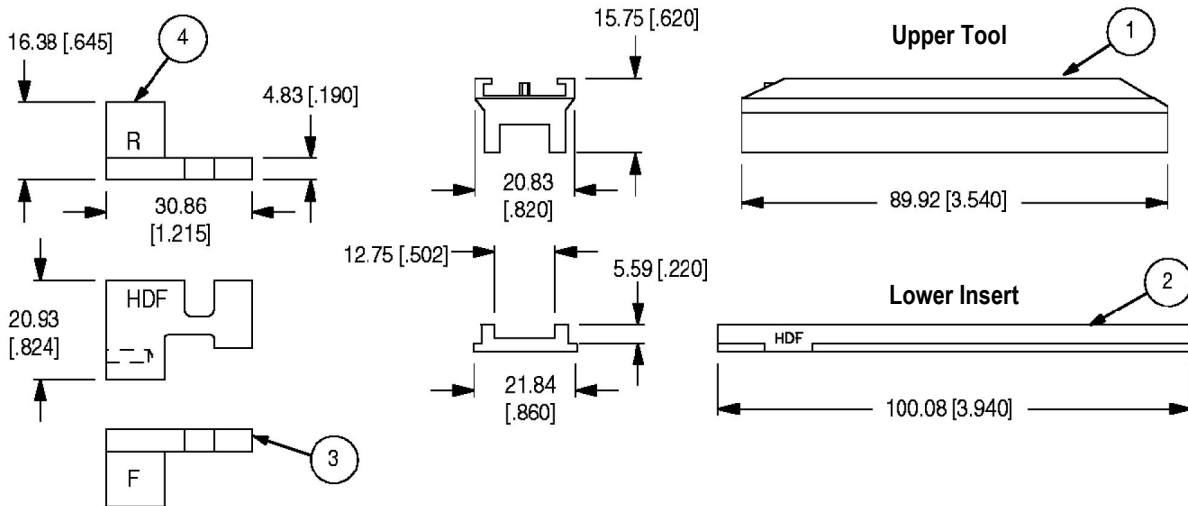


Figure 4

**Connector-Specific Kit 768349-1**



**COMPONENT LIST**

ITEM NO.	PART NUMBER	DESCRIPTION	QTY PER ASSY
1	543274-3	Upper Tool	1
2	543275-3	Lower Insert	1
3	768933-1	Locator (Front)	1
4	768934-1	Locator (Rear)	1

Figure 5