

Connectors for Micro ISO Relays



Features

Connectors in 3 different versions

- **PCB Socket**
With the solderable connector Micro ISO relays with plug-in terminals can be mounted on leadframes. This allows easy and reasonable replacement in case of service.
- **Connector**
5 pole connector with snap-in pin to lock in frame.
- **Connector with Mounting Flap**
5 pole connector that can be mounted individually or interlocked. The connector has a snap-in pin to lock in frame. The mounting bracket also allows screw-on.

Please order terminals separately.
For AWG Conversion Table see page 236.

Please contact Tyco Electronics for relay application support.



333_3Dco2

Weight

- PCB Socket
Approx. 5.9 g (0.18 oz.)
- Connector
Approx. 5.4 g (0.18 oz.)
- Connector with Mounting Flap
Approx. 11.9 g (0.39 oz.)

Conditions

All parametric, environmental and endurance tests are performed according to EIA Standard RS-407-A at standard test conditions unless otherwise noted:
23°C ambient temperature,
20 - 50% RH, 998.9 ±33.9 hPa.

For general storage and processing recommendations please refer to our Application Notes and especially to *Storage* in the "Glossary" page 23 or at <http://relays.tycoelectronics.com/appnotes/>

Disclaimer

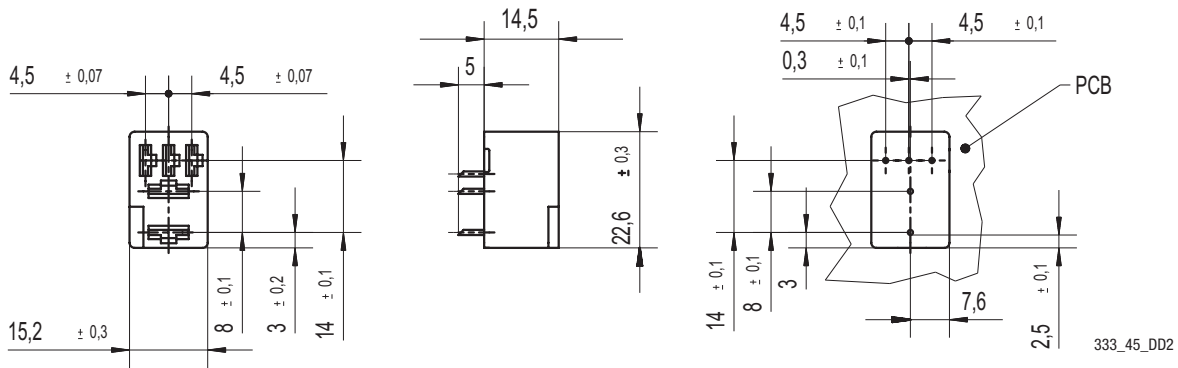
All technical performance data apply to the relay as such, specific conditions of the individual application are not considered. Please always check the suitability of the relay for your intended purpose. We do not assume any responsibility or liability for not complying herewith. We recommend to complete our questionnaire and to request our technical service. Any responsibility for the application of the product remains with the customer only. All specifications are subject to change without notification. All rights of Tyco Electronics are reserved.

Connectors for Micro ISO Relays

PCB Socket

V23333-Z0002-B049

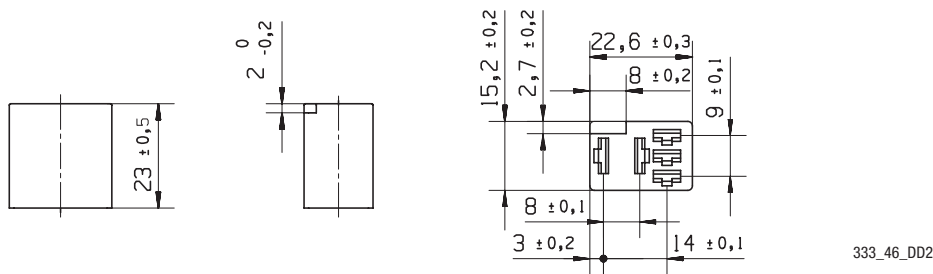
(Mounting Recommendation: To keep insertion force away from the PCB the soldering of the socket to the PCB should be done with already inserted relay)



Connector

V23333-Z0001-B046

(Terminals to be ordered separately)

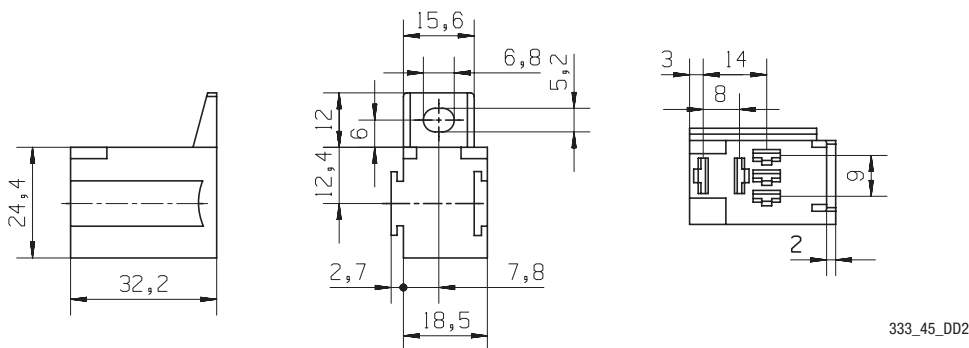


Connector with Mounting Flap

(To be mounted individually or can be interlocked)

V23333-Z1001-B045

(Terminals to be ordered separately)



Connectors for Micro ISO Relays

Ordering Information

Part Numbers for Connectors		Selection of Fitting Crimp Terminals ¹⁾ (Ph. bronze tin plated) ²⁾							
Connector Description	Tyco Electronics Part Number	Terminal Size	Tyco Electronics Part Number	Wire mm ²	Use for	Quantity Required		Use in Cavities	
						Form A	Form C	Form A	Form C
V23333-Z0002-B049	2-1904045-7	–	–	–	–	–	–	–	–
V23333-Z0001-B046	1-1904045-6	4.8 x 0.8	280919-4	0.5 - 1.5	Coil	2	2	1 and 2	1 and 2
		4.8 x 0.8	281197-2	1.0 - 2.5	Load	–	1	–	4
		6.3 x 0.8	160927-4	1.0 - 2.5	Load	2	2	3 and 5	3 and 5
V23333-Z1001-B045	1-1904045-5	4.8 x 0.8	280919-4	0.5 - 1.5	Coil	2	2	1 and 2	1 and 2
		4.8 x 0.8	281197-2	1.0 - 2.5	Load	–	1	–	4
		6.3 x 0.8	160917-2	1.0 - 2.5	Load	2	2	3 and 5	3 and 5

¹⁾ Crimp terminals to be ordered separately.

²⁾ Mentioned crimp terminals are delivered in strip-form, loose pieces and hand tool available on request.

Standard Delivery Packs (orders in multiples of delivery pack)

Connector V23333-Z0002-B049: 800 pieces

Connector V23333-Z0001-B046: 400 pieces

Connector V23333-Z1001-B045: 150 pieces