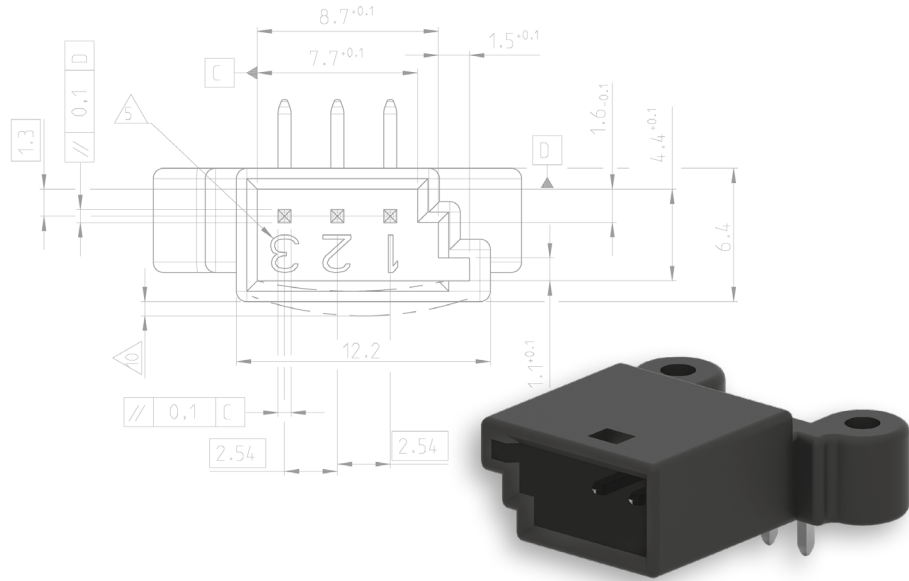


TE offers an extensive header portfolio in all possible configurations to ensure signal transmission in every automotive application, including the most critical connections with 0.63 mm² terminals. MQS headers are available in all required pin counts and mounting types, as well as various surfaces.



Number of Circuits	Number of Rows	Terminal 1 / Number of Circuits	Terminal 2 / Number of Circuits	Mounting Orientation	Sealed	Termination Method	Plating	Dimensions [mm]			Part Number	Mating Receptacle		
								Width	Height	Length				
3	2	.63 x .63	3	180°	No	Through Hole	Sn	6.60	14.60	18.97	185730-1	185309-1		
3	1	.63 x .63	3	90°	No	Through Hole	Sn	17.80	6.40	17.70	967279-4	968705-9		
3	1	.63 x .63	3	90°	No	Through Hole	Sn	12.20	6.40	15.20	1-967162-3	1241324		
3	1	.63 x .63	3	90°	No	Through Hole	Sn	14.00	5.90	10.20	5-1355730-1	968705-9 9-1718346-1		
3	1	.63 x .63	3	90°	No	Through Hole	Sn	6.70	13.40	11.71	1394397-1	1-1718346-1		
4	1	.63 x .63	4	180°	No	Through Hole - Reflow	Sn	9.25	20.20	25.00	1379700-1	1379658-1		
4	1	.63 x .63	4	180°	No	Through Hole - Reflow	Sn	8.60	18.70	20.40	1379165-7	1379029-1 *		
4	2	.63 x .63	4	180°	Yes	Through Hole	Sn	9.30	35.30	20.50	967439-1	x-967640-x		
4	2	.63 x .63	4	180°	Yes	Through Hole	Sn	23.30	16.55	26.80	1-967657-1	x-967640-x		
6	2	.63 x .63	6	180°	No	Through Hole	Sn	16.50	20.10	22.80	953363-3	185311-1		
6	2	.63 x .63	6	180°	No	Through Hole	Sn	8.80	8.80	18.60	1534517-1	1-968291-2 *		
6	2	.63 x .63	6	180°	No	Through Hole	Sn	19.50	22.60	31.60	1823172-1 *			
6	1	.63 x .63	6	180°	No	Through Hole	Sn	7.35	19.60	21.60	936640-2 *	1-1241370-1 *		
6	2	.63 x .63	6	90°	No	Through Hole	Sn	25.90	16.50	16.80	953442-1	965413-1 *		
6	2	.63 x .63	6	90°	No	Through Hole	Sn	25.90	18.05	26.80	1241637-1 *			
8	2	.63 x .63	8	180°	No	Through Hole - Reflow	Sn	12.70	20.20	28.80	1-1801659-1			
8	2	.63 x .63	8	180°	No	Through Hole	Sn	2.50	14.60	17.00	1670887-1			
8	2	.63 x .63	8	180°	No	Through Hole	Sn	11.60	20.00	14.60	1-1355211-2	1-1564013-1 965601-2		
8	2	.63 x .63	4	2.8 x .63	4	180°	No	Through Hole	Sn	15.24	25.80	21.59	1241782-1	
8	2	.63 x .63	8			90°	No	Through Hole	Sn	24.47	15.20	18.60	1-1379684-1	1379659-1
8	2	.63 x .63	8			90°	No	Through Hole	Sn	25.90	16.55	28.20	1-967658-1	1-1534229-1
8	2	.63 x .63	8			90°	No	Through Hole	Sn	14.20	15.50	24.47	1-1376350-4	1473800-1
8	1	.63 x .63	8			90°	No	Through Hole	Sn	6.70	25.40	19.00	1-967619-5 *	968357-1
8	1	.63 x .63	8			90°	No	Through Hole	Sn	27.90	25.40	16.50	1743284-1	

*) on demand

(continued on page 4)

Number of Circuits	Number of Rows	Terminal 1 / Number of Circuits	Terminal 2 / Number of Circuits	Mounting Orientation	Sealed	Termination Method	Plating	Dimensions [mm]			Part Number	Mating Receptacle
								Width	Height	Length		
8	1	.63 x .63	8	90°	No	Through Hole	Sn	5.80	26.10	25.40	1703948-1*	
8	1	.63 x .63	8	90°	No	Through Hole	Sn	33.00	10.00	21.27	1747285-2	1376368-1 1746875-1
10	2	.63 x .63	10	180°	No	Through Hole	Sn	16.00	15.20	20.00	967741-1	1-1418401-1*
10	2	.63 x .63	10	90°	No	Through Hole	Sn	8.75	10.16	15.05	1-967573-1	1-1418401-1*
12	2	.63 x .63	12	180°	No	Through Hole	Sn	15.90	20.20	36.70	1-1719039-7	
12	2	.63 x .63	12	180°	No	Through Hole	Sn	15.60	20.20	29.40	967646-1	968473-1
12	2	.63 x .63	12	180°	No	Through Hole	Sn	17.00	20.30	40.30	1379114-1	185341-1
12	2	.63 x .63	12	180°	No	Through Hole	Sn	18.60	23.40	15.30	1473898-1	1318774-1 1376675-1
12	2	.63 x .63	12	180°	No	Through Hole	Sn	17.00	20.30	40.30	1379114-3	185341-1 185343-1
12	2	.63 x .63	12	180°	No	Through Hole	Sn	17.00	20.30	29.00	1379640-3	1379219-1
12	2	.63 x .63	12	180°	No	Through Hole	Sn	17.00	20.30	40.40	953130-3	968473-1
12	2	.63 x .63	12	90°	No	Through Hole	Sn	27.90	16.00	29.80	185740-2	185300-1
12	2	.63 x .63	12	90°	No	Through Hole	Sn	21.70	19.60	30.00	1-967250-1	1534100-1
12	2	.63 x .63	12	90°	No	Through Hole	Sn	27.90	16.00	29.70	1379030-3	
12	2	.63 x .63	12	90°	No	Through Hole - Reflow	Sn	27.90	16.00	29.60	1801434-1	
12	2	.63 x .63	12	90°	No	Through Hole	Sn	27.90	16.00	29.70	1379030-1	
12	2	.63 x .63	12	90°	No	Through Hole	Sn	18.60	15.50	24.47	1-1318772-3	x-1318774-x x-1376675-x
12	2	.63 x .63	12	90°	No	Through Hole	Sn	17.00	19.80	28.80	185526-2	968473-1
12	2	.63 x .63	12	90°	No	Through Hole	Sn	27.90	17.15	30.46	1-967582-1*	x-965666-x
12	2	.63 x .63	12	90°	No	Through Hole	Sn	22.86	27.90	30.63	3-963541-6*	x-929682-x*
16	2	.63 x .63	16	180°	No	Through Hole	Sn	13.40	23.00	23.40	1565476-1	1318386-1 2005076-1
16	2	.63 x .63	16	90°	No	Through Hole	Sn	23.00	15.50	24.47	1-1318382-3	1318386 1717109
18	2	.63 x .63	18	180°	No	Through Hole - Reflow	Sn	16.00	21.20	41.00	953264-1	1379102-1
18	2	.63 x .63	18	180°	No	Through Hole	Sn	20.30	23.30	39.60	1-1564687-1	
18	3	.63 x .63	18	180°	No	Through Hole	Sn	23.30	20.48	39.60	967618-2	x-968427-x*
18	2	.63 x .63	18	180°	No	Through Hole	Sn	17.00	20.30	41.30	1-963540-1	1355348-1
18	2	.63 x .63	18	180°	No	Through Hole	Sn	23.08	23.08	39.23	3-967618-1	x-968427-x*
18	2	.63 x .63	18	180°	No	Through Hole	Sn	23.80	20.30	41.30	1-1355154-1	1355348-1
18	2	.63 x .63	18	180°	No	Through Hole	Sn	17.00	19.80	34.80	185529-1	6-185307-1
18	3	.63 x .63	18	180°	No	Through Hole	Sn	19.00	21.30	42.00	953466-1	284134-1
18	2	.63 x .63	18	90°	No	Through Hole	Sn	27.90	17.00	38.08	1-963539-1	1355348-1
18	2	.63 x .63	18	90°	No	Through Hole	Sn	27.40	17.00	37.00	185683-1	x-185304-x*
18	2	.63 x .63	18	90°	No	Through Hole	Sn	27.40	17.00	37.00	1-1801065-2*	
19	2	.63 x .63	19	90°	No	Through Hole	Sn	-	34.92	69.85	1393474-6	
20	2	.63 x .63	20	180°	No	Through Hole	Sn	11.15	18.39	28.94	1924121-2*	
20	2	.63 x .63	20	90°	No	Through Hole	Sn	16.20	24.80	26.00	8-2177729-9*	
24	2	.63 x .63	24	180°	No	Through Hole	Sn	31.80	15.30	31.80	1376111-2	
24	2	.63 x .63	24	90°	No	Through Hole	Sn	31.80	15.50	24.47	1318853-2	x-1318917-x
26	2	.63 x .63	26	180°	No	Through Hole - Reflow	Sn	16.00	21.20	51.00	1-953472-1	185879-1

*) on demand

(continued on page 5)

Number of Circuits	Number of Rows	Terminal 1 / Number of Circuits	Terminal 2 / Number of Circuits	Mounting Orientation	Sealed	Termination Method	Plating	Dimensions [mm]			Part Number	Mating Receptacle		
								Width	Height	Length				
26	2	.63 x .63	26	180°	No	Through Hole	Sn	16.00	20.90	53.80	953236-1	185879-1		
26	2	.63 x .63	26	180°	No	Through Hole	Au / Sn	13.20	20.90	40.00	2-185226-2*	x-144935-x*		
26	2	.63 x .63	26	90°	No	Through Hole	Sn	27.90	17.00	48.20	185534-3	144935-1		
26	2	.63 x .63	26	90°	No	Through Hole	Sn	16.04	17.30	40.64	5-1393375-7			
26	2	.63 x .63	20	2.3 x .63	6	90°	No	Through Hole	Sn	42.50	17.60	28.97	1376357-3	x-1376360-x x-1674932-x
28	2	.63 x .63	28	90°	No	Through Hole	Sn	36.20	15.50	24.50	2134962-1			
30	2	.63 x .63	30	180°	No	Through Hole	Sn	23.50	20.30	48.50	967267-1*			
30	2	.63 x .63	22	5.8 x .8	8	180°	No	Through Hole	Ag / Sn	50.96	38.15	10.33	2141930-2*	
30	2	.63 x .63	30	90°	No	Through Hole	Au / Sn	21.70	69.85	79.10	1394389-1			
32	2	.63 x .63	32	180°	No	Through Hole	Sn	15.60	20.20	51.15	967598-1	968265-1		
32	2	.63 x .63	32	180°	No	Through Hole	Sn	10.00	20.20	30.10	1-1452368-4	967597-2*		
32	3	.63 x .63	32	180°	No	Through Hole	Sn	10.00	16.80	43.80	8-966658-3	1420000-1		
32	2	.63 x .63	32	180°	No	Through Hole	Sn	24.80	20.90	55.20	1-967742-1*	x-968265-x*		
32	2	.63 x .63	32	90°	No	Through Hole	Sn	27.40	16.00	54.80	953486-2	x-968265-x*		
32	2	.63 x .63	32	90°	No	Through Hole	Au / Sn	28.40	51.70	55.80	969599-1			
32	2	.63 x .63	32	90°	No	Through Hole	Sn	28.40	17.00	55.86	1-968720-2	x-968778-x*		
32	2	.63 x .63	32	90°	No	Through Hole	Sn	40.60	15.50	18.40	1318745-2	x-1318747-x x-1717118-x		
38	2	.63 x .63	16	1.5 x .6	14	90°	No	Through Hole	Sn	97.80	89.80	32.30	1534531-1	1534180-1
40	4	.63 x .63	40	180°	No	Through Hole	Sn	25.90	21.50	32.50	953118-1	1-968321-1*		
40	2	.63 x .63	40	180°	No	Through Hole	Sn	15.30	23.40	49.40	1376113-2	1318389-1 1674312-1		
40	2	.63 x .63	40	90°	No	Through Hole	Sn	17.30	15.20	51.50	1801657-1*			
40	2	.63 x .63	40	90°	No	Through Hole	Sn	49.40	15.50	24.47	1318384-4	x-1318695-x x-1379671-x		
40	4	.63 x .63	40	90°	No	Through Hole	Sn	40.30	27.50	30.50	1-1394155-4	1-968322-1 2-968322-1		
40	4	.63 x .63	40	90°	No	Through Hole	Sn	40.30	26.70	32.00	1745060-1	953122-6		

*) on demand