

**tyco**

Electronics

**Introducing...**



RoHS  
Ready 

## CORCOM SRB Series Filter

Cost Effective, Reduced Footprint, Shielded Line Filter

### DESCRIPTION

- One of the smallest footprints available on the market today, the SRB Series features a complete shield design with various capacitance values. This unique combination offers varying levels of common mode performance which minimizes conducted emissions and may reduce radiated emissions.

### KEY FEATURES

- Shielded line filter
- Small footprint
- Snap-in or flange mount
- RoHS Compliant

### APPLICATIONS

- Power Supplies
- Medical Equipment
- Test and Measurement Equipment

### FOR MORE INFORMATION

Technical Support  
Internet: [www.tycoelectronics.com](http://www.tycoelectronics.com)

E-mail:  
[newproducts@tycoelectronics.com](mailto:newproducts@tycoelectronics.com)

USA: 1-800-468-2023  
CORCOM Prods: 1-847-680-7400  
Germany: 49-89-6089-0

# CORCOM SRB Series Filter

## Cost Effective, Reduced Footprint, Shielded Line Filter

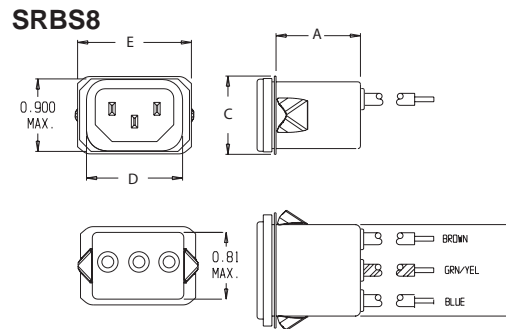
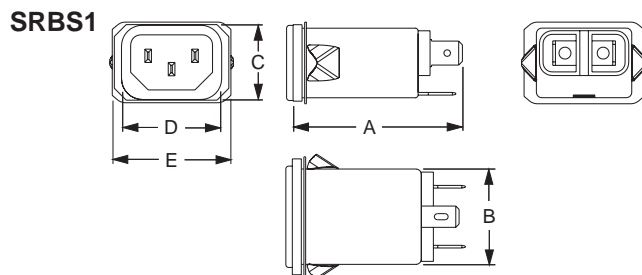
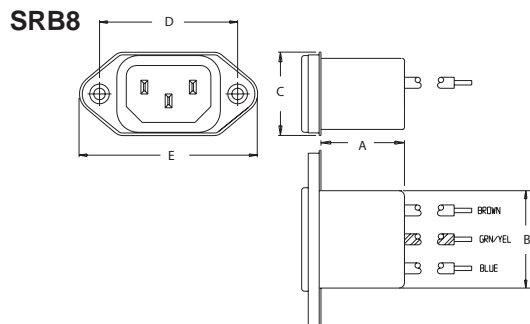
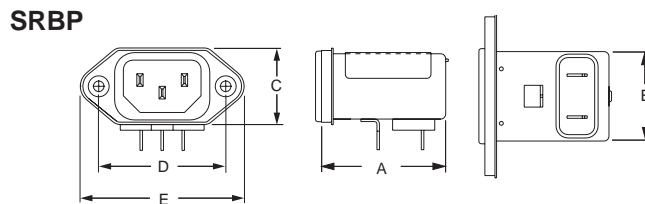
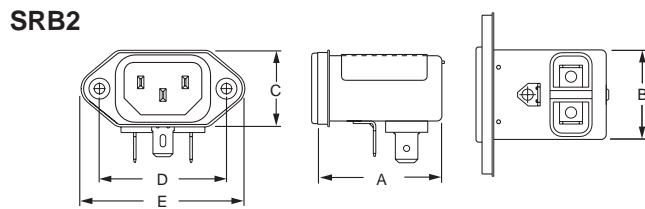
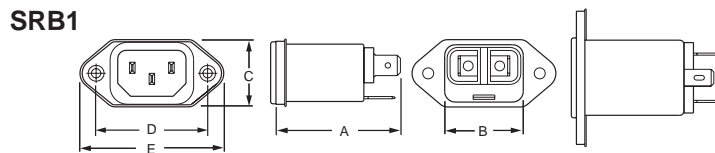
### ELECTRICAL

- 15 A 250 VAC (10A VDE)

### STANDARDS & SPECS

- UL Recognized
- CSA Certified
- VDE Approved

### PRODUCT DIMENSIONS & PART NUMBERS



### Case Dimensions

Part No.	A (max)	B (max)	C (max)	D $\pm .015$ $\pm .380$	E (max)
15SRB1	1.75	1.13	0.96	1.580	2.04
15SRB2	1.54	1.13	0.96	1.58	2.04
15SRBP	1.54	1.13	0.96	1.58	2.04
15SRB8	.94	1.13	0.96	1.58	2.04
15SRBS1	1.75	1.13	0.96	1.19	1.41
15SRBS8	1.12	1.13	0.96	1.19	1.41

### Part Numbers

15SRB1	15SRB1-S	15SRB1-X
15SRBS1	15SRBS1-S	15SRBS1-X
15SRB2	15SRB2-S	15SRB2-X
15SRB8	15SRB8-S	15SRB8-X
15SRBS8	15SRBS8-S	15SRBS8-X
15SRBP	15SRBP-S	15SRBP-X
15SRB1-Q	15SRB1-T	15SRB1-Y
15SRBS1-Q	15SRBS1-T	15SRBS1-Y
15SRB2-Q	15SRB2-T	15SRB2-Y
15SRB8-Q	15SRB8-T	15SRB8-Y
15SRBS8-Q	15SRBS8-T	15SRBS8-Y
15SRBP-Q	15SRBP-T	15SRBP-Y
15SRB1-R	15SRB1-W	15SRB1-Z
15SRBS1-R	15SRBS1-W	15SRBS1-Z
15SRB2-R	15SRB2-W	15SRB2-Z
15SRB8-R	15SRB8-W	15SRB8-Z
15SRBS8-R	15SRBS8-W	15SRBS8-Z
15SRBP-R	15SRBP-W	15SRBP-Z

Capacitor ID	Frequency Mhz					
	1	5	10	50	100	300
Q	-	-	-	-	-	20
R	-	-	-	3	6	22
S	-	-	1	6	17	19
T	-	-	2	13	13	19
W	-	2	4	18	13	20
X	-	5	9	25	10	17
Y	1	10	15	20	8	22
Z	2	14	18	17	7	15

Typical dimensions for all case styles:

FASTON Terminals: .250 [6.35] (3) Holes: .07 [1.8] Dia.(2) Slot: .07 x .16 [1.8 x 4.1]  
 Mounting holes: .132 [3.35] Dia. (2) w/.260 Dia. x 90° countersunk for a #4 flathead screw  
 Style 8 wire leads: 4.0 [107.6] min. 1-15A, 18AWG; 20A, 14 AWG/UL1015